



Covered Bond Special

Risk weights and LCR levels of Covered Bonds

NORD/LB Floor Research

December 2024

Marketing communication (see disclaimer on the last pages)

Agenda

Introduction	3
Risk weights of covered bonds	4
Determining covered bond risk weights	11
Covered bonds within the framework of LCR management	12
Regulatory classification: issuers (iBoxx EUR Covered)	20
Regulatory classification: covered bonds (iBoxx EUR Covered)	25
Publication overview	58
Contacts at NORD/LB	59

Floor analysts:

Covered Bonds/Banks

Dr Frederik Kunze
frederik.kunze@nordlb.de

Lukas Kühne
lukas.kuehne@nordlb.de

Alexander Grenner
alexander.grenner@nordlb.de

SSA/Public Issuers

Dr Norman Rudschuck, CIAA
norman.rudschuck@nordlb.de

Lukas-Finn Frese
lukas-finn.frese@nordlb.de

Tobias Cordes
tobias.cordes@nordlb.de

NORD/LB:
[Floor Research](#)

NORD/LB:
[Covered Bond Research](#)

NORD/LB:
[SSA/Public Issuers Research](#)

Bloomberg:
[RESP NRDR <GO>](#)

Introduction

Authors: Alexander Grenner // Lukas Kühne // Dr Frederik Kunze

LCR eligibility and derivation of the risk weight for covered bonds

In this publication "NORD/LB Covered Bond Special: Risk Weights and LCR Levels of Covered Bonds", we assess the LCR eligibility and risk weight on the basis of the applicable regulations specific to the covered bond market and present these in tabular form both at the level of the issuers represented in the iBoxx EUR Covered and on the level of the corresponding ISINs. Furthermore, we provide a schematic overview of the regulatory treatment of covered bonds on the basis of the European legal framework. The project to harmonise the European covered bond market, which has been underway for several years, has also had an impact on the areas of risk weighting and the LCR eligibility of covered bonds. This was essentially achieved via the corresponding [directive](#) (hereinafter: Covered Bond Directive or CBD) and the [regulation](#), which were the building blocks of the package of measures. While the CBD had to be transposed into the respective legislation by the national legislators of the member states, the Regulation, which stipulated amendments to the Capital Requirements Regulation (CRR, EU 575/2013) in the context of covered bond harmonisation, applied directly and with effect from 8 July 2022. The explanations refer to the CRR in its currently valid version (from 1 January 2024). While clear rules apply to the EEA markets, particularly with regard to treatment in the context of LCR management, there is an additional need to analyse the LCR eligibility of covered bonds from third countries that do not have to implement the CBD. Firstly, the transparency requirement of Art. 14 CBD applies here without the need of a legal requirement in the national legal framework. Secondly, the LCR Regulation requires equivalent supervision and other regulatory provisions. The EBA considers a "case-by-case" assessment to be necessary here. We view the aforementioned requirements to be adequate for issues from the EEA area. For the majority of covered bonds from the non-EEA area, we believe that the transparency requirement needs the most scrutiny.

Implications for the labelling of European covered bonds

With regard to the assessment of European covered bonds in terms of risk weight and LCR eligibility, the covered bond framework provides significant assistance via labelling. For example, if the national supervisory authority at programme level confirms the naming as "European covered bond (premium)", this results in a possible classification as Level 1 assets within the scope of LCR management and a possible risk weight of 10% at best for the covered bonds issued from the programmes. According to Article 26(1)(b) and (c) of [the EU Covered Bond Directive 2019/2162](#), the supervisory authorities are to publish on their websites "a list of credit institutions authorised to issue covered bonds" (b) as well as "a list of covered bonds for which the designation "European covered bond" may be used and a list of covered bonds for which the designation "European covered bond (premium)" may be used" (c).

Risk weights of covered bonds

Authors: Alexander Grenner // Lukas Kühne // Dr Frederik Kunze

Risk weights as the starting point for risk-weighted assets

The Capital Requirements Regulation (CRR) includes provisions on calculating the capital requirements for credit institutions that follow the credit risk standardised approach (SACR) to determine the risk weightings of covered bonds, among other assets. Establishing the relevant risk weighting is important insofar as, under the SACR, the risk-weighted portion of an asset is obtained from multiplication of the position's value and the risk weighting. The sum of all the portions results in the risk-weighted assets (RWA), which must be backed accordingly by equity capital. In addition to the Covered Bond Directive ([CBD](#)) applicable to the issuance of covered bonds from 8 July 2022 onwards, collateralisation by eligible cover assets and appropriately transparent cover pool reporting, rating assessments of a risk position in particular play an important role in determining the risk weighting of a covered bond. The Credit Quality Step system used for this purpose and the other conditions for preferential risk weighting of covered bonds are dealt with below.

Compliance with Article 129 of the CRR required for preferential risk weighting

Covered bonds are generally eligible for preferential treatment in relation to risk weighting under the credit risk standardised approach. The requirements that a bond has to meet in order to comply with this are laid down in [Article 129 CRR](#). The date of issuance is also of crucial importance in this regard. The Covered Bond Directive entered into force on 8 July 2022, together with a revised Article 129 CRR and an amendment to the liquidity requirements for credit institutions (LCR-R). In the past, reference was made here to Article 52(4) of the UCITS Directive, which rather "superficially" described a covered bond. Now, however, this article also refers to the Covered Bond Directive or, based on the CBD, Article 129 CRR specifies requirements so that a covered bond can be eligible for preferential risk weighting. As a result, conformity with the covered bond legislation in the particular country will now have to be checked, as the Member States had to transpose the CBD into national law. Nevertheless, slightly different requirements apply to covered bonds issued before 8 July 2022.

Until now, Article 52(4) of the UCITS Directive had been the "anchor" in the risk weighting of covered bonds

The relevant Article ([Article 52\(4\) of the UCITS Directive](#)) defined requirements for covered bonds, even though this definition under the UCITS Directive may not initially have been seen in connection with establishing risk weightings or other regulatory metrics. Instead, Article 52(4) provides that undertakings for collective investment in transferable securities (UCITS) may, under certain conditions, hold a higher proportion of certain bonds. This is still the case. However, the Article also served in many cases as a basis for defining covered bonds. The aforementioned Directive was previously adapted to the future CB Directive in January 2020.

Article 52(4) of the UCITS Directive was adapted to the CBD in 2020

It also followed from the requirements of “old” Article 52(4) of the UCITS Directive, which has referred to the CBD since 7 January 2020, that covered bonds issued outside the European Economic Area (EEA) may under no circumstances be UCITS-compliant. The Covered Bond Directive, or rather the relevant transposition into national law, is now regarded as the reference point.

Article 129 CRR defines the requirements for covered bonds and risk weighting

Together with the Covered Bond Directive, a clear definition of the collateral and requirements for covered bonds was also included in Article 129 CRR. In conjunction with Directive 2019/2162, this Article will then be used for determining the risk weighting. Certain requirements of Article 129 do not apply to covered bonds issued up to 31 December 2007 or, as the case may be, up to 7 July 2022. If an issuer’s covered bonds (both “old” and “new”) are issued from one cover pool, however, the requirements must be met in full, so that this applies automatically to the old bonds as well. The table below shows which assets qualify as an eligible collateral. However, covered bonds issued up to 7 July 2022 must also meet the requirements of Art. 129 (1) to (3), i.e. including requirements and limits for creditworthiness and borrowers, as well as LTV limits and regular collateral monitoring. Liens on aircraft and loans to small and medium-sized enterprises (SMEs) are still disregarded, with the result that they are neither eligible as cover assets within the meaning of the CRR, nor do they benefit from preferential risk weighting.

Review of property values as a hurdle for preferential risk weighting

As mentioned above, the revised Article 129 CRR has brought about changes in the monitoring of property values. These reviews must now be conducted at least once a year, regardless of whether the property is residential, commercial or a ship. This is a fundamental point in the grandfathering of “old bonds”. When the CRR was introduced in 2013, real estate values were to be monitored annually in the case of commercial properties, and every three years for residential properties. Although issuers do not have to conduct the review each year if the bond was issued before 31 December 2007, the annual review now also applies to bonds placed at a later date. In Germany, the [Association of German Pfandbrief Banks](#) (Verband Deutscher Pfandbriefbanken, vdp) maintains a database as an ongoing market monitoring system. The database has been tracking price trends in Germany since 2007 and meets the requirements of Art. 208 CRR. As reported by vdpResearch, far more than 90% of the credit institutions based in Germany use the system for monitoring annual rent and price changes, thus fulfilling the extended requirement of Art. 129(3) CRR. Issuers and covered bond creditors will consequently need to spend more time on additional checks in order to continue to benefit from a lower risk weighting, because not every country can provide access to the type of transaction database mentioned above. Statistical market trends are sufficient to meet the requirement; monitoring at individual asset level is not necessary at this point. In Germany, BaFin (the German financial regulator) has agreed the following: in the event of changes in market values as provided by the vdp, at the level of -10% for commercial and -20% for residential properties within a period of three years, a “warning” will be issued. On this basis, the institutions using this data will examine their portfolio more closely and, if necessary, only then conduct a review at individual loan level. There is only a change to the required cycle of monitoring itself.

Transparency requirement / Investor information now regulated through the CBD

Up to 7 July 2022, Art. 129(7) CRR required that investors must be able to present certain portfolio information to the competent authority in order to obtain preferential treatment of covered bonds. This included: Value of the cover pool and outstanding covered bonds, geographical distribution and type of cover assets, loan size, interest rate and currency risks, maturity structure of cover assets and covered bonds, and loans ≥ 90 days past due. However, this passage no longer appears in the current version of Article 129 CRR. Instead, Article 129 CRR now requires compliance with Art. 3 No. 1 CBD. Article 14 CBD includes extensive requirements that issuers must meet regarding investor information. This information must be made available at least every quarter, whereas previously it was twice a year. In addition to the above-mentioned information, the following must be reported: An ISIN list of all covered bonds (if available), the type of cover assets, the valuation method, extended information on market risk and on credit and liquidity risks, maturity extension triggers, required/actual overcollateralisation (statutory, contractual, voluntary).

Article 129 CRR (unchanged from 8 July 2022)

Para- graph	Description	Issued up to (para- graphs marked with x do <u>not</u> need to be met in order to qualify for lower risk weighting)		
		Current	Up to 31.12.2007	Up to 7 July 2022
1	To be eligible for the preferential treatment set out in Art. 3 No. 1 CBD, covered bonds must meet the requirements set out in Art. 129(3)(3a)(3b) CRR and be collateralised by any of the following assets: Exposures to or guaranteed by: <ol style="list-style-type: none"> Central governments, the ESCB central banks, public sector entities, regional governments or local authorities in the Union Third-country central governments, third-country central banks, multilateral development banks, international organisations (CQS 1), third-country public sector entities, third-country regional governments or third-country local authorities (CQS 1), and exposures within the meaning of this point that qualify with CQS 2, provided that they do not exceed 20% of the nominal amount of outstanding covered bonds of the issuing institutions Credit institutions that qualify for CQS 1 and 2 or CQS 3 under the following conditions: i) short-term deposits (original maturity <100 days), provided they comply with Art. 16 CBD, or ii) derivative contracts as referred to in Art. 11(1) CBD Residential loans: LTV limit 80% (in conjunction with paragraph 1c) Residential loans (guaranteed by a protection provider referred to in Art. 201 CRR with min. CQS 2) with max. LTV of 80% for a residential property located in France, provided that the loan-to-income ratio is $\leq 33\%$ when the loan has been granted (further requirements apply to borrower and collateral) Commercial property loans: LTV limit 60%; LTV limit of 70% if OC (overcollateralisation) is at least 10%, the bondholders' claim meets the legal certainty requirements set out in Chapter 4 CRR, and this claim has priority over all other claims on the collateral Loans secured by maritime liens: LTV limit 60%; 60% of the ship's value less any prior maritime liens 		X	
1a	<ol style="list-style-type: none"> Exposures to credit institutions (Art. 129(1) subparagraph 1 point c) with CQS 1, $\leq 15\%$ of the nominal amount of issued covered bonds Exposures to credit institutions (Art. 129(1) subparagraph 1 point c) with CQS 2, $\leq 10\%$ of the nominal amount of issued covered bonds Short-term deposits of credit institutions or derivative contracts with CQS 3 (in accordance with Art. 129(1) subparagraph 1 (c) (i) or (ii) CRR); $\leq 8\%$ of the nominal amount of the issued covered bonds (additional approval requirements apply in the case of derivative contracts) Total exposure to credit institutions with CQS 1, 2 or 3, $\leq 15\%$ of the nominal amount of the issued covered bonds, and exposure to credit institutions that are assigned to CQS 2 or 3 may not exceed 10% of the nominal amount of the issuing institution's outstanding covered bonds 		X	

Source: CRR, NORD/LB Floor Research; X = condition is NOT to be fulfilled or that version from the time of issue

Article 129 CRR (unchanged from 8 July 2022) – (CONTINUED)

Para-graph	Description	Issued up to (paragraphs marked with x do <u>not</u> need to be met in order to qualify for lower risk weighting)																
		Current	Up to 31.12.2007	Up to 7 July 2022														
1b	Art. 129(1a) CRR applies not to collateral as defined in Art. 8 CBD (internally issued covered bonds; collateral of an internal covered bond for an external issue)																	
1c	For the purposes of Art. 129(1) subparagraph 1 (d) CRR, the LTV ceiling of 80% per loan shall apply; it applies over the entire term of the loan																	
1d	For the purposes of Art. 129(1) subparagraph 1 (f and g) CRR, the LTV ceiling of 60% or 70% per loan shall apply; it applies over the entire term of the loan																	
2	The cases referred to in Art. 129(1) subparagraph 1 points a to f CRR also relate to collateral which is intended solely for the protection of covered bond holders against losses																	
3	In the case of collateralisation with immovable property and ships, the requirements of Art. 208 CRR (Requirements for immovable property collateral) must be met. All property and ships must be monitored at least annually		X															
3a	Minimum overcollateralisation of 5% (as defined in Art. 3 No. 14 CBD) based on the "nominal principle" Member States may set a lower ratio or allow their competent authorities to set an appropriate ratio, provided that: a) overcollateralisation is based on a formal approach that takes into account the underlying risk of the assets, or asset valuation is based on the collateral value and b) the ratio does not fall below 2%, based on the nominal principle referred to in Art. 15(6) and (7) CBD. The assets contributing to the minimum overcollateralisation ratio are not subject to the limits specified in Art. 129(1a) CRR		X	X														
3b	Exposures referred to in Art. 129(1) CRR may be included as substitution cover assets (Art. 3 No. 13 CBD), provided the thresholds for creditworthiness and size according to Art. 129(1) and (1a) CRR are complied with		X	X														
4	Covered bonds for which a rating by an ECAI is available are assigned the following risk weighting, which corresponds to Art. 136 CRR: <table border="1" data-bbox="209 1352 1362 1424"> <thead> <tr> <th>Credit quality step (CQS)</th> <th>1</th> <th>2</th> <th>3</th> <th>4</th> <th>5</th> <th>6</th> </tr> </thead> <tbody> <tr> <td>Risk weighting (RW)</td> <td>10%</td> <td>20%</td> <td>20%</td> <td>50%</td> <td>50%</td> <td>100%</td> </tr> </tbody> </table>	Credit quality step (CQS)	1	2	3	4	5	6	Risk weighting (RW)	10%	20%	20%	50%	50%	100%			
Credit quality step (CQS)	1	2	3	4	5	6												
Risk weighting (RW)	10%	20%	20%	50%	50%	100%												
5	Unrated covered bonds are assigned a risk weighting based on the risk weighting of prior unsecured exposures to the issuing institution <table border="1" data-bbox="209 1503 1362 1592"> <thead> <tr> <th>If a RW of X% applies to exposure to the institution,</th> <th>20%</th> <th>50%</th> <th>100%</th> <th>150%</th> </tr> </thead> <tbody> <tr> <td>then the covered bond is assigned a RW of X%</td> <td>10%</td> <td>20%</td> <td>50%</td> <td>100%</td> </tr> </tbody> </table>	If a RW of X% applies to exposure to the institution,	20%	50%	100%	150%	then the covered bond is assigned a RW of X%	10%	20%	50%	100%							
If a RW of X% applies to exposure to the institution,	20%	50%	100%	150%														
then the covered bond is assigned a RW of X%	10%	20%	50%	100%														
6	Covered bonds issued before 31 December 2007 are not subject to the requirements of Art. 129(1), (1a), (3), (3a) and (3b) CRR. The preferential treatment set out in paragraphs 4 and 5 may be applied to them until their due date																	
7	Covered bonds issued before 8 July 2022 that meet the requirements of this Regulation, in the version applicable at the time of issue, shall not be subject to the requirements of paragraphs 3a and 3b. The preferential treatment under paragraphs 4 and 5 may be applied to them until their due date																	

Source: CRR, NORD/LB Floor Research; X = condition is NOT to be fulfilled or that version from the time of issue

Relevant amendments to Article 129 CRR as at 1 January 2025

On 30 May 2024, the European Council made amendments to the CRR for the almost complete implementation of the Basel III regulations, which will come into force on 1 January 2025. In addition to changes to operational risks and new regulations for credit risk, [Regulation 2024/1623](#) also includes changes to Articles 129 and 229 of the CRR, which are relevant for covered bonds. Article 129 CRR was supplemented in particular by two additional subparagraphs as part of the Basel III implementation. The newly created subparagraph to paragraph 3 of Article 129 CRR stipulates that property valuations below the market value or mortgage lending value are permitted, in deviation from the limits in Article 229 (1) CRR. In addition, a new group of assets eligible as cover assets is defined in the newly introduced subsection of paragraph 1. These are indirect risk exposures to credit institutions that do not have their own rating and assume guarantees for mortgage loans until they are registered. Under certain conditions, these are treated as risk exposures to credit institutions until 1 June 2027. Other important changes for the covered bond segment stem from the amended Article 229 CRR in conjunction with the newly created definition of "property value" (Article 4 point 74a CRR) as a valuation approach for immovable assets. This corresponds to a cautious and conservative valuation approach, which does not include any expected price increases and takes into account that the current market value may be significantly higher than the value that could be sustainably realised over the term of the loan. The market value forms the upper limit for the valuation of assets under the newly defined valuation approach. From 1 January 2025, the "property value" will form the third valuation approach alongside the mortgage lending value and market value, which can be used in particular to assess properties used as collateral in the cover pool.

Rating assessments as further decisive factors

Fulfilment of the requirements described above constitutes a necessary condition for a preferential risk weighting of covered bonds. As a further and decisive factor in determining the risk weighting, Article 129 (4) and (5) CRR lay down requirements with regard to rating assessments. While paragraph 4 applies risk weighting in the case of at least one existing rating assessment, paragraph 5 applies risk weighting in the case where a covered bond does not have a rating.

Determining the Credit Quality Step for more than one recognised rating assessment

Rating 1 \ Rating 2		CQS 1				CQS 2			CQS 3		
		AAA	AA+	AA	AA-	A+	A	A-	BBB+	BBB	BBB-
CQS 1	AAA	Credit Quality Step 1				Credit Quality Step 2			Credit Quality Step 3		
	AA+										
	AA										
	AA-										
CQS 2	A+	Credit Quality Step 2				Credit Quality Step 2			Credit Quality Step 3		
	A										
	A-										
CQS 3	BBB+	Credit Quality Step 3				Credit Quality Step 3			Credit Quality Step 3		
	BBB										
	BBB-										

Source: Regulation 2016/1799 and 2021/2005, Regulation 575/2013, NORD/LB Floor Research

Deriving the Credit Quality Step of a covered bond

Rating assessments are always taken into account using the Credit Quality Step system, which is laid down in [Regulation 2016/1799](#) and in the [2021/2005 amendment](#). A total of six different credit rating categories are assigned through ratings issued by recognised [External Credit Assessment Institutions \(ECAI\)](#). Since risk positions can in principle have several ECAI ratings, a new mapping is required to determine the Credit Quality Step (CQS) if there is more than one rating available (see table above). Irrespective of the number of eligible ratings, [Article 138 CRR](#) is key to determining the Credit Quality Step. If two ratings are available for a risk position, the applicable rating shall be the one resulting in the higher of the two possible risk weightings, if the two ratings differ (see table). A higher risk weighting is equivalent to a lower credit rating. In this respect, we understand an AA-equivalent rating to be lower than an AAA-equivalent rating. If more than two ratings are available for a risk position, the two ratings resulting in the lowest risk weighting, i.e. the two highest ratings, are applicable. If these two assessments differ from each other, the Credit Quality Step is determined on the basis of the rating (out of these two ratings) that results in the higher risk weighting. It follows from the requirements of Article 138 CRR that only the two highest ratings, if available, are relevant to determining the Credit Quality Step as defined in the CRR, even if a position has more than two ratings from recognised rating agencies. The resulting simplification of CQS provisions is shown in the table; no distinction is made with regard to the rating grades of individual agencies.

Best rating and fulfilment of all requirements leads to a risk weighting of 10%

To be eligible for preferential treatment of risk weighting, Article 129(1) CRR stipulates that, in addition to cover by eligible assets referred to in the aforementioned Article, the requirements of paragraphs 3 (monitoring of property/ship value), 3a (overcollateralisation) and 3b (substitution cover) must be met. If the requirements are deemed to have been met, the preferential risk weighting is determined on the basis of the corresponding Credit Quality Step of the issue in accordance with Article 129(4) CRR, assuming that at least one ECAI rating assessment is available. Accordingly, covered bonds that qualify for Credit Quality Step 1 can benefit from a preferential risk weighting of 10%. If, on the other hand, the creditworthiness of a covered bond corresponds only to Credit Quality Step 2, the risk weighting increases to 20%. This also applies to bonds that qualify for Credit Quality Step 3. With regard to covered bonds issued between 1 January 2008 and 8 July 2022, the requirements of the CRR in force at the time of issue must be met. They are not subject to the requirements of Art. 129(3a) and (3b) CRR. The assignment system applies uniformly.

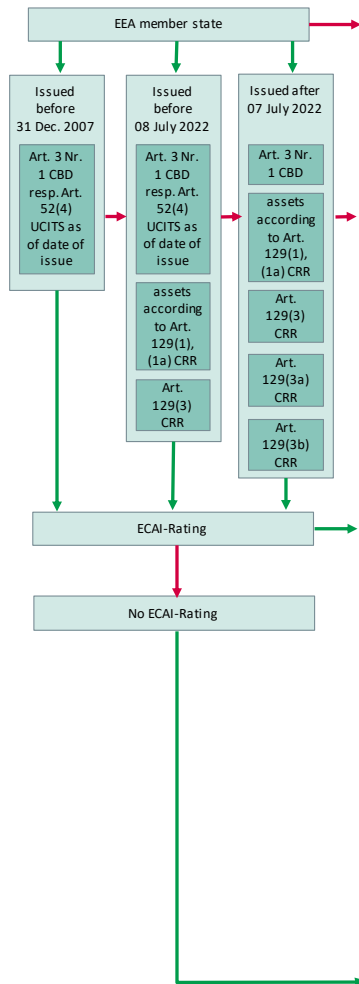
Unrated bonds can also benefit from preferential risk weighting

If a covered bond meets the requirements of the previous paragraph but does not have a rating by a recognised ECAI, this does not automatically result in an increased risk weighting for the bond. Instead, the senior unsecured credit rating of the issuer must be taken into account. For this purpose, the corresponding Credit Quality Step of unsecured risk positions is first determined and then the relevant covered bond risk weighting is derived from this step. It follows that, in the event that senior unsecured bonds and covered bonds are assigned to the same Credit Quality Step, there will be no regulatory disadvantage due to the lack of rating assessment.

Non-EEA covered bonds

In addition to the possibilities that the necessary conditions are fulfilled (the bond is CBD-compliant according to Article 3 No. 1; Article 129(3), (3a) and (3b) CRR are fulfilled; it is collateralised with cover assets according to Article 129(1) CRR and an assessment by an ECAI is available or such an assessment is not available), a corresponding classification system also exists for the case that the covered bond is not CBD-compliant. This is relevant, for example, to issues from outside the EEA. In this case, too, rating assessments play a crucial role and have a significant influence on the risk weighting to be applied. The decisive factor in this respect is no longer Article 129 CRR, but [Articles 120 and 121 CRR](#) (exposure to rated or unrated institutions). The risk weighting must be determined on the basis of Article 120 CRR if at least one ECAI assessment is available, while Article 121 CRR deals with positions without an ECAI rating. Article 120 CRR also makes a distinction between positions with a residual maturity of more than three months and those with a shorter maturity. Due to the long-term nature of covered bonds, however, we will – unless otherwise stated – only look at determining the risk weighting for maturities of more than three months. Covered bonds that do not meet the requirements of the three necessary conditions have a risk weighting of 20% if they have at least one recognised rating assessment at Credit Quality Step 1. This is also the lowest possible risk weighting for non-EEA covered bonds. If, on the other hand, an ECAI rating assessment is not available for the covered bonds, the relevant risk weighting is determined on the basis of the Credit Quality Step of the central government in which the issuer is domiciled; the risk weighting is higher compared with exposures to central governments in the investment-grade segment.

Determining covered bond risk weights



Risk weighting of covered bonds according to Articles 120 and 121 CRR: necessary conditions not met; with or without ECAI rating

Credit Quality Step	Credit Quality Step	Credit Quality Step	Credit Quality Step
1	AAA- and AA segment	20%	20%
2	A segment	50%	50%
3	BBB segment	50%	100%
4	BB segment	100%	100%
5	B segment	100%	100%
6	≤CCC segment	150%	150%

Risk weighting of covered bonds according to Article 129(4) CRR: necessary conditions met; with ECAI rating

Credit Quality Step	Credit Quality Step	Credit Quality Step
1	AAA and AA segment	10%
2	A segment	20%
3	BBB segment	20%
4	BB segment	50%
5	B segment	50%
6	≤CCC segment	100%

Risk weighting of covered bonds according to Article 129(5) CRR: necessary conditions met; without ECAI rating

Credit Quality Step	Credit Quality Step	Credit Quality Step	Credit Quality Step
1	AAA and AA segment	20%	→ 10%
2	A segment	50%	→ 20%
3	BBB segment	50%	→ 20%
4	BB segment	100%	→ 50%
5	B segment	100%	→ 50%
6	≤CCC segment	150%	→ 100%

Source: Regulation 2016/1799 and 2021/2005, CRR, NORD/LB Floor Research

Green arrow: condition met, red arrow: condition not met

Covered bonds within the framework of LCR management

Authors: Alexander Grenner // Lukas Kühne // Dr Frederik Kunze

Dynamic criteria for covered bonds under the LCR

While a large proportion of the assets eligible for LCR management are classified statically, covered bonds are subject to dynamic criteria. Over time, the allocation of an issue to a specific Level category may change, which in turn may lead to the need for constant monitoring. In practice, fulfilment of the transparency criteria laid down in Article 14 of the Covered Bond Directive and/or the national legislation based on Art. 14 CBD turns out to be the trouble spot. This is because extensive data must be provided on the issuer side at least every quarter, and the investor must also be able to prove this to the supervisory authority. In addition to reviewing the information provided in cover pool reporting on outstanding covered bonds and their cover pools, the relevant ratings should also be constantly monitored with regard to the dynamic criteria for covered bonds, as rating changes of just one notch may have a direct impact on the LCR classification. In addition to the change in a rating, the addition or discontinuation of a rating assessment can also have an impact on the LCR classification. This is why we use not only the ratings of [Moody's](#), [Fitch](#) and [S&P](#) but also those of [DBRS](#).

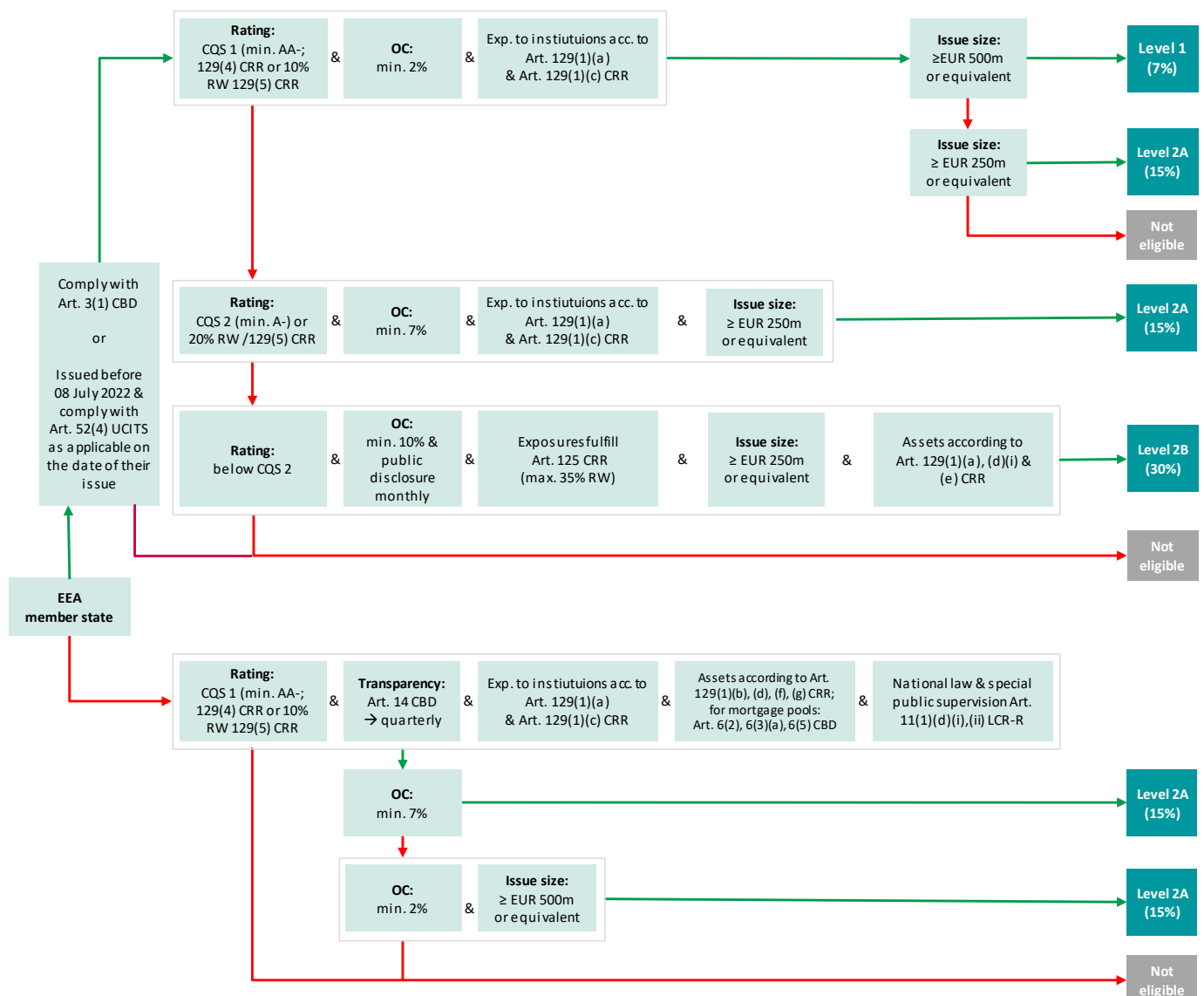
Tabular overview of the regulatory classification of covered bonds

In this study, we analyse the bonds listed in iBoxx EUR Covered and assign them to the LCR category that we believe to be relevant. We also assign them to the resulting haircut. For this purpose, we have reviewed the relevant pool reports to ensure that their content is complete on the basis of the provisions in Article 129 CRR as well as covered bonds from third countries Article 14 CBD and have summarised the results initially at [programme level](#). In addition to the links leading to the relevant reports on the issuers' websites, the list also includes the ratings provided by the rating agencies mentioned in the previous section, a statement on the legal framework for the issue, and the overcollateralisation of the relevant programme. Finally, a more detailed overview is provided by a table which, in addition to our assessment of the LCR level and the risk weight according to CRR, contains further information at [SIN level](#). Since the credit quality step (CQS) of the respective bond is relevant for the assessment of the LCR level as well as the relevant risk weight, an assessment in this regard can also be taken from the list. In addition to the outstanding volume and the type of cover assets, the table also contains the respective repayment structure of a covered bond. Issues from the European Economic Area (EEA) benefit from preferential regulatory capital treatment. For this reason, we indicate the affiliation of an issue or issuer to the jurisdiction of the European Central Bank (Eurozone), the European Economic Area and the G10 countries (relevant, among other things, for repo eligibility in transactions with the ECB).

Numerous criteria for eligible covered bonds

As mentioned above, covered bonds may in principle reach any of the three LCR levels. In every case, there are numerous criteria that an issue must meet in order to achieve the status of an eligible asset. While non-compliance with some criteria automatically results in exclusion from eligible assets, other requirements take the form of scores or tiers. For example, covered bonds whose reporting (Art. 14 CBD) does not comply with the Covered Bond Directive may under no circumstances be used as LCR assets. With regard to the issue volume or rating assessment, in contrast, the LCR system stipulates requirements in tiered form. This results in numerous paths on the way to the final LCR assessment of an issue. In order to approach this quite complex procedure, we will deal in the following with each of the eligibility criteria, which we have presented graphically in the form of a decision tree.

LCR classification of rated covered bonds



Source: Delegated Regulation 2015/61, NORD/LB Floor Research; green = condition met; red = condition not met

What does “in compliance with Art. 3 CBD” mean?

In order to be recognised as an LCR-eligible covered bond (apart from the criteria listed above), the LCR Regulation stipulates that the covered bond must either be a bond within the meaning of Art. 3(1) CBD, or the security was issued before 8 July 2022 and meets the requirements of Art. 52(4) UCITS in force at that time. However, reference is also made to the CBD in the UCITS and the CRR. As a result, there are also changes to "old bonds" in order to remain LCR-eligible. This requires a look at the transitional rules of the CBD: Art. 30 CBD reads as follows: *"Member States shall ensure that covered bonds issued before 8 July 2022 that comply with the requirements laid down in Article 52(4) of Directive 2009/65/EC, as applicable on the date of their issue, are not subject to the requirements set out in Articles 5 to 12 and Articles 15, 16, 17 and 19 of this Directive, but may continue to be referred to as covered bonds in accordance with this Directive until their maturity."*

General distinction between EEA and non-EEA covered bonds

The requirements to be met by Level 1, Level 2A and Level 2B assets can be found in [Articles 10 to 12 of the LCR Regulation](#). Since the requirements of the delegated regulation are EEA-relevant, a general distinction is also made in the requirements for covered bonds between issues from the EEA and those issued by entities from third countries. For example, EEA bonds can generally be considered both as Level 1 assets and as the two subdivisions of Level 2. Covered bonds from third countries can only be assigned to Level 2A if they are eligible as LCR assets.

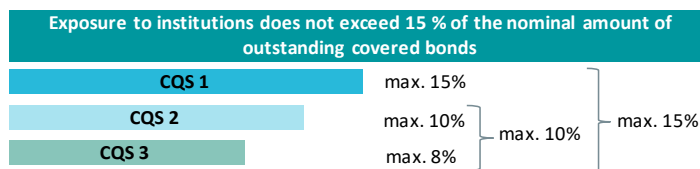
Article 129(4) CRR and Article 129(5) CRR

Covered bonds from member states of the EEA must comply with the Covered Bond Directive in order to qualify for treatment under [Articles 129\(4\) or 129\(5\) CRR](#), or comply with Art. 129(3), (3a) and (3b) CRR in order to be eligible as an LCR asset (with the date of issue also playing a role in this respect). Alternatively, in cases where bonds were issued before 8 July 2022, these must comply with Art. 52(4) UCITS in the version applicable on the date of issue instead of the CBD. The Covered Bond Directive defines requirements for covered bonds, while Art. 129 CRR additionally limits the type of cover assets, defines certain minimum requirements for overcollateralisation, and so on. In contrast, paragraphs 4 and 5 of Article 129 CRR describe the requirements to be met by covered bonds in order to benefit from a preferential risk weighting. Paragraph 4 deals with bonds that have a rating assessment, while paragraph 5 deals with bonds that do not have a rating. If a covered bond issued in the EEA does not comply with Covered Bond Directive Art. 3 No. 1, and does not meet the requirements of the Directive nor those of Article 129(4) or Article 129(5) of the CRR, it cannot be used as HQLA in the context of LCR management.

Article 129(1)(c) CRR in conjunction with Article 129(1a) CRR

Article 129(1) (c) in conjunction with Article 129(1a) CRR is part of the requirements for eligible cover assets. Specifically, this concerns substitute cover assets in the form of exposures to credit institutions, which are generally limited to 15% of the outstanding covered bond volume. Exposures to institutions that qualify for Credit Quality Step 1 (CQS 1) or 2 are generally permitted. Exposures to institutions that qualify for CQS3 may only include up to a maximum of 8% of the nominal amount of outstanding covered bonds, subject to the following conditions: i) original maturity not exceeding 100 days, provided that the deposits meet the requirements of the CBD, ii) derivative contracts that comply with Art. 11(1) of the CBD (minimum requirements for derivatives in the cover pool). These articles must be complied with by Level 1 covered bonds and by Level 2A covered bonds, irrespective of whether the covered bond is issued in the EEA or a third country.

Exposures to credit institutions in the cover pool



Source: Delegated Regulation 575/2013, NORD/LB Floor Research

Article 14 CBD: Transparency requirements for covered bond programmes

As covered bonds within the meaning of Art. 3 No. 1 of the Covered Bond Directive, the securities must consequently meet the transparency requirements set out in Art. 14 CBD. To be recognised as LCR Level 2A, however, this also applies to covered bonds from third countries. For this purpose, Art. 14 CBD was explicitly included as a requirement in Article 11(1d)(v) of LCR Regulation 2015/61. As a result, it equally applies to all levels, so that corresponding covered bonds can be used as HQLA in the context of LCR management. In order to benefit from preferential regulatory treatment, a covered bond investor must be able to demonstrate to the relevant supervisory authority that it has a minimum level of information regarding its investment. Accordingly, the following information must be provided at least on a quarterly basis:

- Value of the cover pool and outstanding covered bonds
- A list of ISINs for all issues made under this programme to which an ISIN was assigned
- Geographical distribution and type of cover assets, loan size and valuation method
- Information on market risk, including interest rate and currency risk, as well as credit and liquidity risks
- Maturity structure of the cover assets and covered bonds, which may include an overview of the triggers for maturity extension
- Level of required and available cover, and the level of statutory, contractual and voluntary overcollateralisation
- Percentage of loans considered to be in default as defined in Article 178 CRR (NPL), and in any case of loans more than 90 days past due.

For issues prior to July 08, 2022, Art. 52(4) UCITS applies at the time of issue, whereby the LCR-R requires the transparency requirement from Art. 14 CBD, so that this must also be fulfilled for "old bonds", which also comes from Art. 30 CBD. In addition, covered bonds of level 2B are subject to a monthly transparency requirement for overcollateralization.

Credit Quality Steps as a vehicle for assessing creditworthiness

Rating assessments play a particularly important role in determining the LCR level of covered bonds. Credit assessments are taken into account with the help of the Credit Quality Step system, which is defined in [Regulation 2016/1799](#). A total of six different credit rating categories are assigned through ratings issued by recognised [External Credit Assessment Institutions \(ECAI\)](#).

The Credit Quality Step system is based on Art. 138 CRR

While categories 1 to 3 are assigned to the investment grade segment, categories 4 to 6 are used for non-investment grade credit ratings. In principle, risk positions may have more than one ECAI rating. This means that if more than one rating is used to determine the Credit Quality Step, further mapping actions are necessary (depending on the context, we therefore present the table below with corresponding text passages once again). Irrespective of the number of available ratings, [Article 138 CRR](#) is key to determining the Credit Quality Step. In case there are two ECAI ratings available for a risk position, the applicable rating shall be the one resulting in the higher of the two possible risk weightings, if the two ratings differ. A higher risk weighting is equivalent to a lower credit rating. In this respect, we understand an AA-equivalent rating to be lower than an AAA-equivalent rating. If more than two ratings are available for a risk position, the two ratings resulting in the lowest risk weighting, i.e. the two highest ratings, are applicable. If these two assessments differ from each other, the Credit Quality Step is determined on the basis of the rating (out of these two ratings) that results in the higher risk weighting. It follows the requirements of Article 138 CRR that only the two highest ratings, if available, are relevant to determining the Credit Quality Step, even if a position has more than two recognised ratings. The resulting simplification of CQS provisions is shown in the following table. No distinction is made with regard to the rating grades of individual agencies. Mapping of these equivalence ratings is shown in the [Mapping of rating assessments](#) table.

Determining the Credit Quality Step for more than one recognised rating assessment

		Rating 2		CQS 1				CQS 2			CQS 3		
		AAA	AA+	AA	AA-	A+	A	A-	BBB+	BBB	BBB-		
CQS 1	AAA	Credit Quality Step 1				Credit Quality Step 2			Credit Quality Step 3				
	AA+												
	AA												
	AA-												
CQS 2	A+	Credit Quality Step 2				Credit Quality Step 2			Credit Quality Step 3				
	A												
	A-												
CQS 3	BBB+	Credit Quality Step 3				Credit Quality Step 3			Credit Quality Step 3				
	BBB												
	BBB-												

Source: Regulation 2016/1799 and 2021/2005, Regulation 575/2013 (Art. 138), NORD/LB Floor Research

LCR-eligible covered bonds and credit rating assessments

As far as ratings are concerned, covered bonds also have to fulfil certain requirements in order to be deemed LCR-eligible. Only level 2B covered bonds are not subject to any requirements in terms of credit ratings. For the remaining levels, a distinction can firstly be made between covered bonds with or without a corresponding ECAI rating. Especially when combined with the issuance volume requirements for LCR-eligible covered bonds, it can be said that unrated covered bonds in the publicly placed benchmark/sub-benchmark bond segment are comparatively rare. However, the LCR Directive does provide an option for acquiring status as an LCR asset in these cases. Given the limited prevalence of such securities, we shall look at the system for unrated papers in the paragraph after next, merely for the sake of completeness, and then, for reasons of market practice, concentrate solely on rated covered bonds.

Rating requirements for covered bonds with ECAI rating

Regarding the rating requirements for covered bonds, a fundamental distinction must first be made between issues from third countries and those from the EEA. While covered bonds issued by a third country issuer must comply with Credit Quality Step 1 in order to be classified as an eligible asset for the purposes of LCR management, EEA bonds are not subject to a mandatory requirement of this type. Instead, in the case of issues from the EEA, creditworthiness is taken into account as a criterion in three tiers. In order to be classified as a Level 1 asset, bonds must meet the requirements of CQS 1. Nevertheless, being included as a CQS 1 asset does not automatically lead to classification as a Level 1 asset, as the issue must also have a volume of at least EUR 500m and feature overcollateralisation of 2%. If, on the other hand, it is a sub-benchmark issue (issuance volume: EUR \geq 250m up to EUR <500m), a CQS 1 assessment only results in Level 2A classification. The same applies to CQS 2 sub-benchmarks that are overcollateralised by a minimum of 7% instead of 2%. Covered bonds with a rating below Credit Quality Step 2 or without a rating can at best only be assigned to Level 2B.

Rating requirements for covered bonds without an ECAI rating

Covered bonds without an ECAI rating can also be classified as LCR-asset under certain conditions. In the event that an issue does not have an ECAI rating, the [LCR Regulation](#) always refers to Article 129(5) CRR, which is used to [determine the risk weightings of unrated covered bonds](#). In our opinion, however, in the case of determining the LCR level, Article 129(5) CRR must be considered separately from the other requirements of Article 129 CRR, since this part of the Article is also decisive for covered bonds from third countries. Risk weights continue to be determined based on Article 129 CRR as a whole. If an EEA issue does not have a rating, but meets the other requirements, the bond can still be classified as Level 1 if it is assigned a risk weighting of 10% according to the provisions of Article 129(5) CRR. A preferential risk weighting of 10% therefore acts as a substitute for a CQS 1 ECAI rating.

Rating requirements for third-country covered bonds without an ECAI rating

The same applies to issues from third countries, as these must also comply with CQS 1 if a rating is available. In contrast to EEA bonds, however, they can only reach Level 2A. If a rating of at least CQS 2 is required, however, an unrated covered bond must be assigned a risk weight of 20% in the sense of Article 129(5) CRR.

Issue volume: Different treatment of EEA and non-EEA bonds

Certain requirements must also be met with regard to the issue volume of a bond, but these also have different implications. For example, in order to be Level 1-eligible, the issue size of EEA bonds must be at least EUR 500m or its equivalent in the local currency. In order to remain eligible as a Level 2 (2A or 2B) asset, the volume must be at least EUR 250m or equivalent. Conversely, bonds issued by issuers domiciled outside the EEA are not subject to any special issue volume requirements. In the case of issues with an equivalent volume of at least EUR 500m, however, they benefit from preferential treatment with regard to the required overcollateralisation (2% overcollateralisation instead of 7%). While EEA bonds must therefore have a minimum volume of EUR 250m in order to be recognised as an LCR asset, this requirement does not apply to covered bonds from third countries. In general, all requirements relating to the issue volume refer to a figure that is equivalent to the required EUR volume.

Overcollateralisation: Three different minimum levels of overcollateralisation

As the core characteristic of a covered bond, great importance is attached to the level of overcollateralisation, also in relation to its eligibility as an LCR asset. The LCR Regulation distinguishes between the three overcollateralisation levels: i) 2%, ii) 7% and iii) 10%. A minimum overcollateralisation of 2% is required in cases where the issue volume of EEA and non-EEA CQS 1 bonds is at least EUR 500m. In addition, CQS 2 sub-benchmarks from the EEA are also LCR-eligible, starting from an overcollateralisation rate of 2%. However, if the volume required for non-EEA bonds is less than EUR 500m, overcollateralisation of 7% is required. The same applies to EEA bonds of CQS 2 level that are assigned to the sub-benchmark format. Since Level 2B covered bonds, as mentioned above, do not necessarily need to have a rating assessment, these assets are subject to increased requirements. In addition to quarterly reporting (now required in all level classes), they must also have overcollateralisation of at least 10%. Furthermore, compliance with the overcollateralisation requirement must be disclosed by the issuer on a monthly basis.

Special requirements for third-country issues

As is the case with Level 2B covered bonds, non-EEA bonds must meet additional requirements to be recognised as an LCR asset. Article 11 of the LCR Regulation stipulates that bonds from outside the EEA must be issued in accordance with the national legislation of the third country. The issuer must also be a credit institution or a wholly owned subsidiary of a credit institution which guarantees the issue. Furthermore, the bond must have a dual recourse, i.e. it must enable investors to have recourse to the cover pool in addition to the receivables from the credit institution in the event of the issuer's insolvency. In addition, the issuer and the covered bonds must be subject to separate supervision; these arrangements must be at least equivalent to those applied in the EEA.

Special requirements for risk exposures and issues from third countries

Like Level 1 and 2A EEA bonds, third country issues must meet the requirements of Article 129(1)(c) and 129 (1a) CRR, but at the same time, like Level 1 covered bonds, may also benefit from the exemptions in Article 129(1a). In addition, cover assets for bonds not issued in the EEA are limited to those referred to in Article 129(1)(b), (d), (f) and (g) CRR. Overall, in addition to the assets referred to in Article 129(1)(c) and (1a), the eligible cover assets of issues from third countries include residential property (section d), commercial immovable property (section f) and loans secured by maritime liens on ships (section g). Collateralisation by public sector collateral is also possible and follows the requirements specified in Article 129(1)(b). Accordingly, exposures to central governments and central banks from third countries, multilateral development banks and international organisations that qualify for Credit Quality Step 1 are eligible, as well as risk positions guaranteed by these institutions. In addition, exposures to public sector entities as well as regional or local authorities are also eligible if they meet further requirements. If, on the other hand, risk positions from third countries that qualify as Credit Quality Step 2 are involved, the share of these assets is limited to 20% of the nominal amount of outstanding covered bonds (However, this limit also applies to EEA bonds). Where cover assets are loans secured by immovable property, the requirements of Articles 208 and 229(1) CRR must also be met.

Additional requirements for Level 2B covered bonds

Although Level 2B covered bonds are regarded as HQLA, they differ from Level 1 and 2A assets in terms of quality and/or liquidity. This is why the regulator has formulated additional requirements in this regard. As a result, the cover assets in question are limited to those referred to in Article 129(1)(a), (d)(i) and (e). The CRR Article 129(1)(a) includes exposures to the public sector within Member States, consisting of (i) central governments; (ii) ESCB central banks (European System of Central Banks); (iii) public sector entities; or (iv) regional governments or local authorities. Furthermore, these assets are eligible as cover assets for Level 2B covered bonds that are guaranteed by one of the aforementioned institutions. For covered bonds backed by residential property loans, Article 129(1)(d) and (e) is also relevant as it lays down the requirements for this form of cover asset. EEA covered bonds with a rating lower than CQS 2 (or without rating) may additionally only have cover assets that allow a risk weighting of 35% or lower. Article 125 CRR allows a 35% risk weighting for exposures that are fully collateralised by residential property which is or shall be occupied or let by the owner.

Regulatory classification: issuers (iBoxx EUR Covered)

Authors: Alexander Grenner // Lukas Kühne // Dr Frederik Kunze

Australia	Cover Pool	Rating (Fitch/Moody's/S&P/DBRS/Scope*)	OC	Law	Scope CBD	LCR level / Haircut
BANK OF QUEENSLAND LTD	Mortgages (CPT)	AAA / Aaa / - / -	38.0%	✓	✗	Level 2A / 15%
BANK OF QUEENSLAND LTD	Mortgages (Soft)	AAA / Aaa / - / -	63.2%	✓	✗	Level 2A / 15%
BENDIGO AND ADELAIDE BK	Mortgages	AAA / Aaa / - / -	95.1%	✓	✗	Level 2A / 15%
COMMONWEALTH BANK AUST	Mortgages	AAA / Aaa / - / -	26.7%	✓	✗	Level 2A / 15%
MACQUARIE BANK LTD	Mortgages	AAA / Aaa / - / -	44.8%	✓	✗	Level 2A / 15%
NATIONAL AUSTRALIA BANK	Mortgages	AAA / Aaa / - / -	41.9%	✓	✗	Level 2A / 15%
WESTPAC BANKING CORP	Mortgages	AAA / Aaa / - / -	21.5%	✓	✗	Level 2A / 15%
Austria	Cover Pool	Rating (Fitch/Moody's/S&P/DBRS/Scope*)	OC	Law	Scope CBD	LCR level / Haircut
BAWAG P.S.K.	Public Loans	- / Aaa / - / -	9.9%	✓	✓	Level 1 / 7%
BAWAG P.S.K.	Mortgages	- / Aaa / - / -	88.9%	✓	✓	Level 1 / 7%
ERSTE GROUP BANK AG	Mortgages	- / Aaa / - / -	30.1%	✓	✓	Level 1 / 7%
HYPO NOE LB NOE WIEN AG	Public Loans	- / Aa1 / - / -	22.2%	✓	✓	Level 1 / 7%
HYPO NOE LB NOE WIEN AG	Mortgages	- / Aa1 / - / -	9.5%	✓	✓	Level 1 / 7%
HYPO TIROL BANK AG	Mortgages	- / Aaa / - / -	40.4%	✓	✓	Level 1 / 7%
HYPO VORARLBERG BANK AG	Mortgages	- / Aaa / - / -	33.1%	✓	✓	Level 1 / 7%
KOMMUNALKREDIT AUSTRIA A	Public Loans	- / - / A+ / -	13.2%	✓	✓	Level 2A / 15%
RAIFFEISEN BANK INTL	Mortgages	- / Aa1 / - / -	47.3%	✓	✓	Level 1 / 7%
RAIFFEISEN LB NIEDEROEST	Mortgages	- / Aaa / - / -	40.8%	✓	✓	Level 1 / 7%
RAIFFEISEN LB NIEDEROEST	Public Loans	- / Aaa / - / -	24.3%	✓	✓	Level 1 / 7%
RLB OBEROESTERREICH	Mortgages (Pool A)	- / Aaa / - / -	47.1%	✓	✓	Level 1 / 7%
RAIFFEISEN LB STEIERMARK	Mortgages	- / Aaa / - / -	54.6%	✓	✓	Level 1 / 7%
RAIFFLANDESBANK TIROL	Mortgages	- / Aaa / - / -	46.6%	✓	✓	Level 1 / 7%
UNICREDIT BK AUSTRIA AG	Mortgages	- / Aaa / - / -	130.4%	✓	✓	Level 1 / 7%
VOLKSBANK WIEN AG	Mortgages	- / Aaa / - / -	57.2%	✓	✓	Level 1 / 7%
Belgium	Cover Pool	Rating (Fitch/Moody's/S&P/DBRS/Scope*)	OC	Law	Scope CBD	LCR level / Haircut
ARGENTA SPAARBANK	Mortgages	- / - / AAA / -	22.6%	✓	✓	Level 1 / 7%
BELFIUS BANK SA/NV	Public Loans	- / Aaa / AAA / -	37.1%	✓	✓	Level 1 / 7%
BELFIUS BANK SA/NV	Mortgages	AAA / - / AAA / -	26.5%	✓	✓	Level 1 / 7%
BNP PARIBAS FORTIS SA	Mortgages	- / Aaa / AAA / -	30.2%	✓	✓	Level 1 / 7%
ING BELGIUM SA	Mortgages	AAA / Aaa / - / -	35.2%	✓	✓	Level 1 / 7%
KBC BANK NV	Mortgages	AAA / Aaa / - / -	38.4%	✓	✓	Level 1 / 7%
Canada	Cover Pool	Rating (Fitch/Moody's/S&P/DBRS/Scope*)	OC	Law	Scope CBD	LCR level / Haircut
BANK OF MONTREAL	Mortgages	AAA / Aaa / - / AAA	93.1%	✓	✗	Level 2A / 15%
BANK OF NOVA SCOTIA	Mortgages	AAA / Aaa / - / AAA	63.9%	✓	✗	Level 2A / 15%
CANADIAN IMPERIAL BANK	Mortgages	AAA / Aaa / - / -	16.6%	✓	✗	Level 2A / 15%
EQUITABLE BANK	Mortgages	AA+ / - / - / AA	45.1%	✓	✗	Level 2A / 15%
FED CAISSES DESJARDINS	Mortgages	AAA / Aaa / - / -	42.6%	✓	✗	Level 2A / 15%
NATIONAL BANK OF CANADA	Mortgages	AAA / Aaa / - / AAA	101.1%	✓	✗	Level 2A / 15%
ROYAL BANK OF CANADA	Mortgages	AAA / Aaa / - / AAA	51.7%	✓	✗	Level 2A / 15%
TORONTO-DOMINION BANK	Mortgages	AAA / Aaa / - / AAA	40.1%	✓	✗	Level 2A / 15%

* The covered bond ratings of the rating agency Scope are not explicitly shown due to technical restrictions. In our opinion, no adjustment of the credit quality steps derived here is inferred from the covered bond programmes rated by Scope.

Czechia	Cover Pool	Rating (Fitch/Moody's/S&P/DBRS/Scope*)	OC	Law	Scope CBD	LCR level / Haircut
KOMERCNI BANKA AS	Mortgages	AAA / - / - / -	25.0%	✓	✓	Level 1 / 7%
UNICREDIT BANK CZECH RE	Mortgages	- / Aa2 / - / -	74.4%	✓	✓	Level 1 / 7%
Denmark	Cover Pool	Rating (Fitch/Moody's/S&P/DBRS/Scope*)	OC	Law	Scope CBD	LCR level / Haircut
DANMARKS SKIBSKREDIT AS	Mortgages (Capital Centre A)	- / - / A / -	20.2%	✓	✓	Level 2A / 15%
DANSKE BANK A/S	Mortgages (Pool C)	- / - / AAA / -	24.4%	✓	✓	Level 1 / 7%
DANSKE BANK A/S	Mortgages (Pool D)	- / - / AAA / -	24.4%	✓	✓	Level 1 / 7%
JYSKE REALKREDIT A/S	Mortgages (Capital Centre E)	- / - / AAA / -	7.0%	✓	✓	Level 1 / 7%
Estonia	Cover Pool	Rating (Fitch/Moody's/S&P/DBRS/Scope*)	OC	Law	Scope CBD	LCR level / Haircut
LUMINOR BANK	Mortgages	- / Aaa / - / -	78.9%	✓	✓	Level 1 / 7%
Finland	Cover Pool	Rating (Fitch/Moody's/S&P/DBRS/Scope*)	OC	Law	Scope CBD	LCR level / Haircut
AKTIA BANK	Mortgages (Pool 1)	- / Aaa / - / -	16.7%	✓	✓	Level 1 / 7%
AKTIA BANK	Mortgages (Pool 2)	- / Aaa / - / -	22.4%	✓	✓	Level 1 / 7%
DANSKE KIINNITYSLUOTTOPA	Mortgages	- / Aaa / - / -	28.7%	✓	✓	Level 1 / 7%
NORDEA KIINNITYSLUOTTO	Mortgages (Cover Pool)	- / Aaa / - / -	30.1%	✓	✓	Level 1 / 7%
NORDEA KIINNITYSLUOTTO	Mortgages (Cover Pool 2)	- / Aaa / - / -	53.0%	✓	✓	Level 1 / 7%
OMA SAASTOPANKKI OYJ	Mortgages	- / - / AAA / -	28.0%	✓	✓	Level 1 / 7%
OP MORTGAGE BANK	Mortgages (EMTCN)	- / Aaa / AAA / -	23.1%	✓	✓	Level 1 / 7%
OP MORTGAGE BANK	Mortgages (EMTCB)	- / Aaa / - / -	10.1%	✓	✓	Level 1 / 7%
S-PANKKI OYJ	Mortgages	- / - / AAA / -	206.4%	✓	✓	Level 1 / 7%
SP KIINNITYSLUOTTOPANKKI	Mortgages (SP-01)	- / - / AAA / -	71.0%	✓	✓	Level 1 / 7%
SP KIINNITYSLUOTTOPANKKI	Mortgages (SP-02)	- / - / AAA / -	40.1%	✓	✓	Level 1 / 7%
France	Cover Pool	Rating (Fitch/Moody's/S&P/DBRS/Scope*)	OC	Law	Scope CBD	LCR level / Haircut
ARKEA PUBLIC SECTOR SCF	Public Loans	- / Aaa / - / -	25.0%	✓	✓	Level 1 / 7%
AXA HOME LOAN SFH	Mortgages	AAA / - / AAA / -	15.0%	✓	✓	Level 1 / 7%
CAISSE REFINANCE L'HABIT	Mortgages	AAA / Aaa / - / -	40.5%	✓	✓	Level 1 / 7%
CAISSE FRANCAISE DE FIN	Public Loans	- / Aaa / - / AAA	20.1%	✓	✓	Level 1 / 7%
CIE FINANCEMENT FONCIER	Mortgages	- / Aaa / AAA / -	15.9%	✓	✓	Level 1 / 7%
CREDIT AGRICOLE PUBLIC S	Public Loans	- / Aaa / AAA / -	41.5%	✓	✓	Level 1 / 7%
MMB SCF	Mortgages	- / Aaa / AAA / -	21.7%	✓	✓	Level 1 / 7%
ARKEA HOME LOANS	Mortgages	AAA / Aaa / - / -	26.3%	✓	✓	Level 1 / 7%
BNP PARIBAS HOMELOAN SFH	Mortgages	AAA / - / AAA / -	26.1%	✓	✓	Level 1 / 7%
BPCE SFH - SOCIETE DE FI	Mortgages	- / Aaa / AAA / -	46.3%	✓	✓	Level 1 / 7%
CCF SFH SACA	Mortgages	- / Aaa / AAA / -	33.2%	✓	✓	Level 1 / 7%
CREDIT AGRICOLE HOME LOA	Mortgages	AAA / Aaa / AAA / -	50.4%	✓	✓	Level 1 / 7%
CRED MUTUEL HOME LOAN SF	Mortgages	AAA / Aaa / AAA / -	54.1%	✓	✓	Level 1 / 7%
CRELAN HOME LOAN SCF	Mortgages	- / Aaa / - / -	31.8%	✓	✓	Level 1 / 7%
LA BANQUE POST HOME LOAN	Mortgages	- / - / AAA / -	41.3%	✓	✓	Level 1 / 7%
SOCIETE GENERALE SFH	Mortgages	AAA / Aaa / - / -	22.1%	✓	✓	Level 1 / 7%

* The covered bond ratings of the rating agency Scope are not explicitly shown due to technical restrictions. In our opinion, no adjustment of the credit quality steps derived here is inferred from the covered bond programmes rated by Scope.

Germany	Cover Pool	Rating (Fitch/Moody's/S&P/DBRS/Scope*)	OC	Law	Scope CBD	LCR level / Haircut
AAREAL BANK AG	Mortgages	- / Aaa / - / -	14.8%	✓	✓	Level 1 / 7%
BAUSPAR.SCHWAEBISCH HALL	Mortgages	- / Aaa / - / -	60.9%	✓	✓	Level 1 / 7%
BAYERISCHE LANDESBANK	Mortgages	- / Aaa / - / -	35.1%	✓	✓	Level 1 / 7%
BAYERISCHE LANDESBANK	Public Loans	- / Aaa / - / -	73.7%	✓	✓	Level 1 / 7%
BERLIN HYP AG	Mortgages	- / Aaa / - / -	5.4%	✓	✓	Level 1 / 7%
COMMERZBANK AG	Mortgages	- / Aaa / - / -	48.3%	✓	✓	Level 1 / 7%
COMMERZBANK AG	Public Loans	- / Aaa / - / -	104.8%	✓	✓	Level 1 / 7%
DEUT APOTHEKE AERZTEBANK	Mortgages	- / - / AAA / -	99.0%	✓	✓	Level 1 / 7%
DEUT PFANDBRIEFBANK AG	Mortgages	- / Aa1 / - / -	20.9%	✓	✓	Level 1 / 7%
DEUT PFANDBRIEFBANK AG	Public Loans	- / Aa1 / - / -	22.2%	✓	✓	Level 1 / 7%
DEUTSCHE BANK AG	Mortgages	- / Aaa / - / -	18.1%	✓	✓	Level 1 / 7%
DEUTSCHE KREDITBANK AG	Mortgages	- / Aaa / - / -	101.8%	✓	✓	Level 1 / 7%
DEUTSCHE KREDITBANK AG	Public Loans	- / Aaa / - / -	125.0%	✓	✓	Level 1 / 7%
DZ HYP AG	Mortgages	- / Aaa / AAA / -	19.7%	✓	✓	Level 1 / 7%
DZ HYP AG	Public Loans	- / Aaa / AAA / -	21.4%	✓	✓	Level 1 / 7%
HAMBURG COMMERCIAL BANK	Mortgages	- / Aaa / - / -	28.6%	✓	✓	Level 1 / 7%
HAMBURGER SPARKASSE	Mortgages	- / Aaa / - / -	58.5%	✓	✓	Level 1 / 7%
ING-DIBA AG	Mortgages	- / Aaa / - / -	33.9%	✓	✓	Level 1 / 7%
LANDBK HESSEN-THUERINGEN	Mortgages	- / Aaa / - / -	90.2%	✓	✓	Level 1 / 7%
LANDBK HESSEN-THUERINGEN	Public Loans	- / Aaa / - / -	64.8%	✓	✓	Level 1 / 7%
LB BADEN-WUERTEMBERG	Mortgages	- / Aaa / - / -	41.5%	✓	✓	Level 1 / 7%
LB BADEN-WUERTEMBERG	Public Loans	- / Aaa / - / -	15.7%	✓	✓	Level 1 / 7%
LB SAAR GIROZENTRALE	Public Loans	AAA / - / - / -	27.2%	✓	✓	Level 1 / 7%
LLOYDS BANK GMBH	Mortgages	- / Aaa / - / -	28.1%	✓	✓	Level 1 / 7%
MUENCHENER HYPOTHEKENBNK	Mortgages	- / Aaa / - / -	5.5%	✓	✓	Level 1 / 7%
NORDDEUTSCHE LANDESBANK	Mortgages	- / Aaa / - / -	65.9%	✓	✓	Level 1 / 7%
NORDDEUTSCHE LANDESBANK	Public Loans	- / Aaa / - / -	8.0%	✓	✓	Level 1 / 7%
OLDENBURGISCHE LANDESBK	Mortgages	- / Aaa / - / -	25.0%	✓	✓	Level 1 / 7%
SANTANDER CONSUMER BANK	Mortgages	AAA / Aaa / - / -	73.6%	✓	✓	Level 1 / 7%
SPARKASSE HANNOVER	Mortgages	AAA / - / - / -	43.9%	✓	✓	Level 1 / 7%
SPARKASSE PFORZHEIM CALW	Mortgages	AAA / - / - / -	33.0%	✓	✓	Level 1 / 7%
UNICREDIT BANK GMBH	Mortgages	- / Aaa / - / -	33.8%	✓	✓	Level 1 / 7%
WUESTENROT BAUSPARKASSE	Mortgages	- / - / AAA / -	35.5%	✓	✓	Level 1 / 7%
Iceland	Cover Pool	Rating (Fitch/Moody's/S&P/DBRS/Scope*)	OC	Law	Scope CBD	LCR level / Haircut
ARION BANKI HF	Mortgages	- / Aa1 / - / -	12.4%	✓	✓	Level 1 / 7%
Italy	Cover Pool	Rating (Fitch/Moody's/S&P/DBRS/Scope*)	OC	Law	Scope CBD	LCR level / Haircut
BANCA MONTE DEI PASCHI S	Mortgages (OBG 1)	AA / Aa3 / - / AA	77.1%	✓	✓	Level 1 / 7%
BANCA POPOLARE SONDRIO	Mortgages	AA / - / - / -	79.9%	✓	✓	Level 1 / 7%
BANCO BPM SPA	Mortgages (BPM CB 2)	- / Aa3 / - / -	28.4%	✓	✓	Level 1 / 7%
BANCO DESIO DELLA BRIANZ	Mortgages	AA / - / - / -	58.1%	✓	✓	Level 1 / 7%
BPER BANCA	Mortgages	- / Aa3 / - / -	35.4%	✓	✓	Level 1 / 7%
CREDIT AGRICOLE ITALIA	Mortgages	- / Aa3 / - / -	41.2%	✓	✓	Level 1 / 7%
CREDITO EMILIANO SPA	Mortgages	AA / Aa3 / - / -	51.0%	✓	✓	Level 1 / 7%
ICCREA BANCA SPA	Mortgages	- / Aa3 / - / -	27.0%	✓	✓	Level 1 / 7%
INTESA SANPAOLO SPA	Mortgages (OBG Mortgage)	- / Aa3 / - / -	46.2%	✓	✓	Level 1 / 7%
INTESA SANPAOLO SPA	Mortgages (OBG UBI Finance)	- / Aa3 / - / AAL	59.5%	✓	✓	Level 1 / 7%
MEDIOBANCA DI CRED FIN	Mortgages	AA / - / - / -	36.9%	✓	✓	Level 1 / 7%
UNICREDIT SPA	Mortgages (OBG 2)	- / Aa3 / - / -	65.7%	✓	✓	Level 1 / 7%

* The covered bond ratings of the rating agency Scope are not explicitly shown due to technical restrictions. In our opinion, no adjustment of the credit quality steps derived here is inferred from the covered bond programmes rated by Scope.

Japan		Cover Pool	Rating (Fitch/Moody's/S&P/DBRS/Scope*)	OC	Law	Scope CBD	LCR level / Haircut
SUMITOMO MITSUI BANKING		Mortgages	- / Aaa / - / -	133.2%	✗	✗	not eligible
SUMITOMO MITSUI TR BK LT		Mortgages	- / Aaa / - / -	82.4%	✗	✗	not eligible
Korea		Cover Pool	Rating (Fitch/Moody's/S&P/DBRS/Scope*)	OC	Law	Scope CBD	LCR level / Haircut
HANA BANK		Mortgages	AAA / - / AAA / -	57.7%	✓	✗	Level 2A / 15%
KOOKMIN BANK		Mortgages	AAA / - / AAA / -	58.7%	✓	✗	Level 2A / 15%
KOREA HOUSING FINANCE CO		Mortgages (2021/01 Issue)	- / - / AAA / -	18.0%	✓	✗	Level 2A / 15%
KOREA HOUSING FINANCE CO		Mortgages (2021/02 Issue)	- / - / AAA / -	20.1%	✓	✗	Level 2A / 15%
KOREA HOUSING FINANCE CO		Mortgages (Global)	- / Aaa / AAA / -	23.1%	✓	✗	Level 2A / 15%
SHINHAN BANK		Mortgages	AAA / Aaa / - / -	73.4%	✓	✗	Level 2A / 15%
Luxembourg		Cover Pool	Rating (Fitch/Moody's/S&P/DBRS/Scope*)	OC	Law	Scope CBD	LCR level / Haircut
NORDBL LX COV BOND BK		Public Loans (LdG Public)	- / Aaa / - / -	43.0%	✓	✓	Level 1 / 7%
Netherlands		Cover Pool	Rating (Fitch/Moody's/S&P/DBRS/Scope*)	OC	Law	Scope CBD	LCR level / Haircut
ABN AMRO BANK NV		Mortgages	AAA / Aaa / - / -	31.7%	✓	✓	Level 1 / 7%
ACHMEA BANK NV		Mortgages (SB)	- / - / AAA / -	21.3%	✓	✓	Level 1 / 7%
COOPERATIEVE RABOBANK UA		Mortgages	- / Aaa / - / -	7.2%	✓	✓	Level 1 / 7%
DE VOLKSBANK NV		Mortgages	AAA / Aaa / - / -	15.6%	✓	✓	Level 1 / 7%
ING BANK NV		Mortgages	AAA / Aaa / AAA / -	82.8%	✓	✓	Level 1 / 7%
KNAB NV		Mortgages (CPT)	- / - / AAA / -	18.4%	✓	✓	Level 1 / 7%
KNAB NV		Mortgages (SB)	- / - / AAA / -	13.4%	✓	✓	Level 1 / 7%
NN BANK NV NETHERLANDS		Mortgages (SB Pool)	- / - / AAA / -	17.2%	✓	✓	Level 1 / 7%
NIBC BANK NV		Mortgages (CPT)	AAA / - / AAA / -	22.4%	✓	✓	Level 1 / 7%
NIBC BANK NV		Mortgages (SB)	- / - / AAA / -	44.5%	✓	✓	Level 1 / 7%
VAN LANSCHOT NV		Mortgages (SB)	- / - / AAA / -	31.9%	✓	✓	Level 1 / 7%
New Zealand		Cover Pool	Rating (Fitch/Moody's/S&P/DBRS/Scope*)	OC	Law	Scope CBD	LCR level / Haircut
ANZ NEW ZEALAND INTL/LDN		Mortgages	AAA / Aaa / - / -	75.0%	✓	✗	Level 2A / 15%
ASB BANK LIMITED		Mortgages	AAA / Aaa / - / -	78.2%	✓	✗	Level 2A / 15%
BANK OF NEW ZEALAND		Mortgages	AAA / Aaa / - / -	20.0%	✓	✗	Level 2A / 15%
WESTPAC SEC NZ/LONDON		Mortgages	AAA / Aaa / - / -	75.3%	✓	✗	Level 2A / 15%
Norway		Cover Pool	Rating (Fitch/Moody's/S&P/DBRS/Scope*)	OC	Law	Scope CBD	LCR level / Haircut
DNB BOLIGKREDITT AS		Mortgages	- / Aaa / AAA / -	72.2%	✓	✓	Level 1 / 7%
EIKA BOLIGKREDITT AS		Mortgages	- / Aaa / - / -	9.1%	✓	✓	Level 1 / 7%
MORE BOLIGKREDITT AS		Mortgages	- / Aaa / - / -	14.5%	✓	✓	Level 1 / 7%
SPAREBANK 1 BOLIGKREDITT		Mortgages	- / Aaa / - / -	5.8%	✓	✓	Level 1 / 7%
SPAREBANKEN SOR BOLIGKRE		Mortgages	- / Aaa / - / -	15.3%	✓	✓	Level 1 / 7%
SPAREBANKEN VEST BOLIGKR		Mortgages	- / Aaa / - / -	33.4%	✓	✓	Level 1 / 7%
SR-BOLIGKREDITT AS		Mortgages	- / Aaa / - / -	20.7%	✓	✓	Level 1 / 7%
Portugal		Cover Pool	Rating (Fitch/Moody's/S&P/DBRS/Scope*)	OC	Law	Scope CBD	LCR level / Haircut
BANCO BPI SA		Mortgages	- / Aaa / - / AA	29.8%	✓	✓	Level 1 / 7%
BANCO SANTANDER TOTTA SA		Mortgages	AAA / Aaa / - / AA	18.7%	✓	✓	Level 1 / 7%
NOVO BANCO SA		Mortgages	- / Aaa / - / -	25.7%	✓	✓	Level 1 / 7%

* The covered bond ratings of the rating agency Scope are not explicitly shown due to technical restrictions. In our opinion, no adjustment of the credit quality steps derived here is inferred from the covered bond programmes rated by Scope.

Singapore	Cover Pool	Rating (Fitch/Moody's/S&P/DBRS/Scope*)	OC	Law	Scope CBD	LCR level / Haircut
DBS BANK LTD	Mortgages	AAA / Aaa / - / -	48.2%	✓	✗	Level 2A / 15%
MAYBANK SINGAPORE LTD	Mortgages	- / Aaa / AAA / -	87.6%	✓	✗	Level 2A / 15%
OVERSEA-CHINESE BANKING	Mortgages	AAA / Aaa / - / -	245.2%	✓	✗	Level 2A / 15%
STANDARD CHARTERED SG LT	Mortgages	- / Aaa / AAA / -	186.8%	✓	✗	Level 2A / 15%
UNITED OVERSEAS BANK LTD	Mortgages	- / Aaa / AAA / -	73.2%	✓	✗	Level 2A / 15%
Slovakia	Cover Pool	Rating (Fitch/Moody's/S&P/DBRS/Scope*)	OC	Law	Scope CBD	LCR level / Haircut
CESKO OBCH BANKA(SLOVAK)	Mortgages	- / Aaa / - / -	20.8%	✓	✓	Level 1 / 7%
PRIMA BANKA SLOVENSKO AS	Mortgages	- / Aaa / - / -	31.7%	✓	✓	Level 1 / 7%
SLOVENSKA SPORITELNA AS	Mortgages	- / Aaa / - / -	39.0%	✓	✓	Level 1 / 7%
TATRA BANKA AS	Mortgages	- / Aaa / - / -	20.2%	✓	✓	Level 1 / 7%
VSEOBECNA UVEROVA BANKA	Mortgages	- / Aa1 / - / -	10.5%	✓	✓	Level 1 / 7%
Spain	Cover Pool	Rating (Fitch/Moody's/S&P/DBRS/Scope*)	OC	Law	Scope CBD	LCR level / Haircut
ABANCA CORP BANCARIA SA	Mortgages	- / Aa1 / AA+ / -	64.7%	✓	✓	Level 1 / 7%
BANCO BILBAO VIZCAYA ARG	Mortgages	- / Aa1 / - / -	140.7%	✓	✓	Level 1 / 7%
BANCO DE SABADELL SA	Mortgages	- / Aa1 / - / AAA	63.3%	✓	✓	Level 1 / 7%
BANCO SANTANDER SA	Mortgages	AAA / Aa1 / - / -	45.6%	✓	✓	Level 1 / 7%
BANCO SANTANDER SA	Public Loans	- / Aa1 / - / -	48.6%	✓	✓	Level 1 / 7%
BANKINTER SA	Mortgages	- / Aa1 / - / -	33.8%	✓	✓	Level 1 / 7%
CAIXABANK SA	Mortgages	- / Aa1 / AA+ / AAA	81.9%	✓	✓	Level 1 / 7%
CAJA RURAL DE NAVARRA	Mortgages	- / Aa1 / - / -	43.1%	✓	✓	Level 1 / 7%
CAJAMAR CAJA RURAL SCC	Mortgages	AA / - / AA+ / -	30.0%	✓	✓	Level 1 / 7%
DEUTSCHE BK SA ESPANOLA	Mortgages	- / Aa1 / - / -	86.3%	✓	✓	Level 1 / 7%
EUROCAJA RURAL SCC	Mortgages	- / Aa1 / - / -	28.5%	✓	✓	Level 1 / 7%
UNICAJA BANCO SA	Mortgages	- / Aa1 / - / -	38.7%	✓	✓	Level 1 / 7%
Sweden	Cover Pool	Rating (Fitch/Moody's/S&P/DBRS/Scope*)	OC	Law	Scope CBD	LCR level / Haircut
LANSFORSKRINGAR HYPOTEK	Mortgages	- / Aaa / AAA / -	36.8%	✓	✓	Level 1 / 7%
SKANDINAVISKA ENSKILDA	Mortgages	- / Aaa / - / -	83.4%	✓	✓	Level 1 / 7%
STADSHYPOTEK AB	Mortgages (NO Pool)	- / Aaa / - / -	10.0%	✓	✓	Level 1 / 7%
STADSHYPOTEK AB	Mortgages (SE Pool)	- / Aaa / - / -	10.0%	✓	✓	Level 1 / 7%
SWEDISH COVERED BOND	Mortgages	- / Aaa / - / -	34.8%	✓	✓	Level 1 / 7%
SWEDBANK HYPOTEK AB	Mortgages	- / Aaa / AAA / -	220.2%	✓	✓	Level 1 / 7%
Switzerland	Cover Pool	Rating (Fitch/Moody's/S&P/DBRS/Scope*)	OC	Law	Scope CBD	LCR level / Haircut
UBS SWITZERLAND AG	Mortgages	AAA / - / - / -	32.8%	✗	✗	not eligible
UBS SWITZERLAND AG	Mortgages (UBS)	AAA / - / - / -	31.6%	✗	✗	not eligible
UK	Cover Pool	Rating (Fitch/Moody's/S&P/DBRS/Scope*)	OC	Law	Scope CBD	LCR level / Haircut
CLYDESDALE BANK PLC	Mortgages	AAA / Aaa / - / -	113.5%	✓	✗	Level 2A / 15%
COVENTRY BLDG SOCIETY	Mortgages	AAA / Aaa / - / -	76.8%	✓	✗	Level 2A / 15%
LLOYDS BANK PLC	Mortgages	AAA / Aaa / - / -	61.8%	✓	✗	Level 2A / 15%
NATIONWIDE BLDG SOCIETY	Mortgages	AAA / Aaa / AAA / -	40.1%	✓	✗	Level 2A / 15%
SANTANDER UK PLC	Mortgages	AAA / Aaa / AAA / -	54.9%	✓	✗	Level 2A / 15%
SKIPTON BUILDING SOCIETY	Mortgages	AAA / Aaa / - / -	76.8%	✓	✗	Level 2A / 15%
TSB BANK PLC	Mortgages	- / Aaa / - / -	50.8%	✓	✗	Level 2A / 15%
YORKSHIRE BUILDING SOC	Mortgages	AAA / Aaa / - / -	56.0%	✓	✗	Level 2A / 15%

* The covered bond ratings of the rating agency Scope are not explicitly shown due to technical restrictions. In our opinion, no adjustment of the credit quality steps derived here is inferred from the covered bond programmes rated by Scope.

Source: Issuers, rating agencies, NORD/LB Floor Research

Regulatory classification: Covered bonds (iBoxx EUR Covered)

Authors: Alexander Grenner // Lukas Kühne // Dr Frederik Kunze

Australia	ISIN	Cover Assets	Amount outstanding (EURm)	Rating (Fitch/Moody's/S&P/DBRS/Scope*)	Credit Quality Step	LCR-Level / Haircut	Risk weight	Maturity structure	ESG	ESG type	ECB	EEA	G10
BANK OF QUEENSLAND LTD	XS2489398185	Mortgages (CPT)	600	AAA / Aaa / - / -	CQS 1	Level 2A / 15%	20%	CPT	N	n/a	x	x	x
BANK OF QUEENSLAND LTD	XS2828820352	Mortgages (Soft)	600	AAA / Aaa / - / -	CQS 1	Level 2A / 15%	20%	Soft	N	n/a	x	x	x
BENDIGO AND ADELAIDE BK	XS2680753568	Mortgages	500	AAA / Aaa / - / -	CQS 1	Level 2A / 15%	20%	Soft	N	n/a	x	x	x
COMMONWEALTH BANK AUST	XS1357027652	Mortgages	500	AAA / Aaa / - / -	CQS 1	Level 2A / 15%	20%	Soft	N	n/a	x	x	x
COMMONWEALTH BANK AUST	XS1458458665	Mortgages	1,250	AAA / Aaa / - / -	CQS 1	Level 2A / 15%	20%	Soft	N	n/a	x	x	x
COMMONWEALTH BANK AUST	XS1952948104	Mortgages	1,000	AAA / Aaa / - / -	CQS 1	Level 2A / 15%	20%	Soft	N	n/a	x	x	x
COMMONWEALTH BANK AUST	XS2397077426	Mortgages	1,250	AAA / Aaa / - / -	CQS 1	Level 2A / 15%	20%	Soft	N	n/a	x	x	x
COMMONWEALTH BANK AUST	XS2446284783	Mortgages	1,250	AAA / Aaa / - / -	CQS 1	Level 2A / 15%	20%	Soft	N	n/a	x	x	x
COMMONWEALTH BANK AUST	XS2673140633	Mortgages	1,500	AAA / Aaa / - / -	CQS 1	Level 2A / 15%	20%	Soft	N	n/a	x	x	x
COMMONWEALTH BANK AUST	XS2897315474	Mortgages	1,500	AAA / Aaa / - / -	CQS 1	Level 2A / 15%	20%	Soft	N	n/a	x	x	x
MACQUARIE BANK LTD	XS2531803828	Mortgages	600	AAA / Aaa / - / -	CQS 1	Level 2A / 15%	20%	Soft	N	n/a	x	x	x
NATIONAL AUSTRALIA BANK	XS1191309720	Mortgages	1,000	AAA / Aaa / - / -	CQS 1	Level 2A / 15%	20%	Soft	N	n/a	x	x	x
NATIONAL AUSTRALIA BANK	XS1942618023	Mortgages	1,250	AAA / Aaa / - / -	CQS 1	Level 2A / 15%	20%	Soft	N	n/a	x	x	x
NATIONAL AUSTRALIA BANK	XS2360589217	Mortgages	850	AAA / Aaa / - / -	CQS 1	Level 2A / 15%	20%	Soft	N	n/a	x	x	x
NATIONAL AUSTRALIA BANK	XS2450391581	Mortgages	1,500	AAA / Aaa / - / -	CQS 1	Level 2A / 15%	20%	Soft	N	n/a	x	x	x
NATIONAL AUSTRALIA BANK	XS2526882001	Mortgages	750	AAA / Aaa / - / -	CQS 1	Level 2A / 15%	20%	Soft	N	n/a	x	x	x
NATIONAL AUSTRALIA BANK	XS2581397986	Mortgages	1,500	AAA / Aaa / - / -	CQS 1	Level 2A / 15%	20%	Soft	N	n/a	x	x	x
NATIONAL AUSTRALIA BANK	XS2758930569	Mortgages	1,250	AAA / Aaa / - / -	CQS 1	Level 2A / 15%	20%	Soft	N	n/a	x	x	x
WESTPAC BANKING CORP	XS1615085864	Mortgages	500	AAA / Aaa / - / -	CQS 1	Level 2A / 15%	20%	Soft	N	n/a	x	x	x
WESTPAC BANKING CORP	XS1748436356	Mortgages	500	AAA / Aaa / - / -	CQS 1	Level 2A / 15%	20%	Soft	N	n/a	x	x	x
WESTPAC BANKING CORP	XS1978200472	Mortgages	1,250	AAA / Aaa / - / -	CQS 1	Level 2A / 15%	20%	Soft	N	n/a	x	x	x
WESTPAC BANKING CORP	XS2388390507	Mortgages	1,250	AAA / Aaa / - / -	CQS 1	Level 2A / 15%	20%	Soft	N	n/a	x	x	x
WESTPAC BANKING CORP	XS2388390689	Mortgages	500	AAA / Aaa / - / -	CQS 1	Level 2A / 15%	20%	Soft	N	n/a	x	x	x
WESTPAC BANKING CORP	XS2463967286	Mortgages	1,250	AAA / Aaa / - / -	CQS 1	Level 2A / 15%	20%	Soft	N	n/a	x	x	x
WESTPAC BANKING CORP	XS2558574104	Mortgages	750	AAA / Aaa / - / -	CQS 1	Level 2A / 15%	20%	Soft	N	n/a	x	x	x
WESTPAC BANKING CORP	XS2802726476	Mortgages	1,500	AAA / Aaa / - / -	CQS 1	Level 2A / 15%	20%	Soft	N	n/a	x	x	x
Austria	ISIN	Cover Assets	Amount outstanding (EURm)	Rating (Fitch/Moody's/S&P/DBRS/Scope*)	Credit Quality Step	LCR-Level / Haircut	Risk weight	Maturity structure	ESG	ESG type	ECB	EEA	G10
BAWAG P.S.K.	XS2013520023	Mortgages	500	- / Aaa / - / -	CQS 1	Level 1 / 7%	10%	Hard	N	n/a	✓	✓	x
BAWAG P.S.K.	XS2058855441	Mortgages	500	- / Aaa / - / -	CQS 1	Level 1 / 7%	10%	Hard	N	n/a	✓	✓	x

* The covered bond ratings of the rating agency Scope are not explicitly shown due to technical restrictions. In our opinion, no adjustment of the credit quality steps derived here is inferred from the covered bond programmes rated by Scope.

Austria	ISIN	Cover Assets	Amount outstanding (EURm)	Rating (Fitch/Moody's/S&P/DBRS/Scope*)	Credit Quality Step	LCR-Level / Haircut	Risk weight	Maturity structure	ESG	ESG type	ECB	EEA	G10
BAWAG P.S.K.	XS2106563161	Mortgages	500	- / Aaa / - / -	CQS 1	Level 1 / 7%	10%	Hard	N	n/a	✓	✓	✗
BAWAG P.S.K.	XS2234573710	Mortgages	750	- / Aaa / - / -	CQS 1	Level 1 / 7%	10%	Hard	N	n/a	✓	✓	✗
BAWAG P.S.K.	XS2259776230	Mortgages	500	- / Aaa / - / -	CQS 1	Level 1 / 7%	10%	Hard	N	n/a	✓	✓	✗
BAWAG P.S.K.	XS2320539765	Mortgages	500	- / Aaa / - / -	CQS 1	Level 1 / 7%	10%	Hard	N	n/a	✓	✓	✗
BAWAG P.S.K.	XS2340854848	Mortgages	500	- / Aaa / - / -	CQS 1	Level 1 / 7%	10%	Hard	N	n/a	✓	✓	✗
BAWAG P.S.K.	XS2380748439	Mortgages	500	- / Aaa / - / -	CQS 1	Level 1 / 7%	10%	Hard	Y	Green	✓	✓	✗
BAWAG P.S.K.	XS2429205540	Mortgages	500	- / Aaa / - / -	CQS 1	Level 1 / 7%	10%	Hard	N	n/a	✓	✓	✗
BAWAG P.S.K.	XS2468221747	Mortgages	750	- / Aaa / - / -	CQS 1	Level 1 / 7%	10%	Hard	N	n/a	✓	✓	✗
BAWAG P.S.K.	XS2487770104	Mortgages	750	- / Aaa / - / -	CQS 1	Level 1 / 7%	10%	Hard	N	n/a	✓	✓	✗
BAWAG P.S.K.	XS2523326853	Mortgages	1,250	- / Aaa / - / -	CQS 1	Level 1 / 7%	10%	Soft	N	n/a	✓	✓	✗
BAWAG P.S.K.	XS2556232143	Mortgages	750	- / Aaa / - / -	CQS 1	Level 1 / 7%	10%	Soft	N	n/a	✓	✓	✗
BAWAG P.S.K.	XS2570759154	Mortgages	850	- / Aaa / - / -	CQS 1	Level 1 / 7%	10%	Soft	N	n/a	✓	✓	✗
BAWAG P.S.K.	XS2618704014	Mortgages	750	- / Aaa / - / -	CQS 1	Level 1 / 7%	10%	Soft	N	n/a	✓	✓	✗
BAWAG P.S.K.	XS1551294926	Public Loans	500	- / Aaa / - / -	CQS 1	Level 1 / 7%	10%	Hard	N	n/a	✓	✓	✗
BAWAG P.S.K.	XS2773068676	Public Loans	750	- / Aaa / - / -	CQS 1	Level 1 / 7%	10%	Soft	N	n/a	✓	✓	✗
ERSTE GROUP BANK AG	XS1550203183	Mortgages	750	- / Aaa / - / -	CQS 1	Level 1 / 7%	10%	Hard	N	n/a	✓	✓	✗
ERSTE GROUP BANK AG	XS1750974658	Mortgages	1,000	- / Aaa / - / -	CQS 1	Level 1 / 7%	10%	Hard	N	n/a	✓	✓	✗
ERSTE GROUP BANK AG	XS1807495608	Mortgages	750	- / Aaa / - / -	CQS 1	Level 1 / 7%	10%	Soft	N	n/a	✓	✓	✗
ERSTE GROUP BANK AG	AT0000A286W1	Mortgages	500	- / Aaa / - / -	CQS 1	Level 1 / 7%	10%	Soft	N	n/a	✓	✓	✗
ERSTE GROUP BANK AG	AT0000A2A6W3	Mortgages	500	- / Aaa / - / -	CQS 1	Level 1 / 7%	10%	Soft	N	n/a	✓	✓	✗
ERSTE GROUP BANK AG	AT0000A2CDDT6	Mortgages	750	- / Aaa / - / -	CQS 1	Level 1 / 7%	10%	Soft	N	n/a	✓	✓	✗
ERSTE GROUP BANK AG	AT0000A2UXN9	Mortgages	750	- / Aaa / - / -	CQS 1	Level 1 / 7%	10%	Soft	N	n/a	✓	✓	✗
ERSTE GROUP BANK AG	AT0000A2UXM1	Mortgages	750	- / Aaa / - / -	CQS 1	Level 1 / 7%	10%	Soft	N	n/a	✓	✓	✗
ERSTE GROUP BANK AG	AT0000A306J4	Mortgages	750	- / Aaa / - / -	CQS 1	Level 1 / 7%	10%	Soft	N	n/a	✓	✓	✗
ERSTE GROUP BANK AG	AT0000A324F5	Mortgages	1,000	- / Aaa / - / -	CQS 1	Level 1 / 7%	10%	Soft	N	n/a	✓	✓	✗
ERSTE GROUP BANK AG	AT0000A33MP9	Mortgages	1,000	- / Aaa / - / -	CQS 1	Level 1 / 7%	10%	Soft	N	n/a	✓	✓	✗
ERSTE GROUP BANK AG	AT0000A38H91	Mortgages	750	- / Aaa / - / -	CQS 1	Level 1 / 7%	10%	Soft	N	n/a	✓	✓	✗
ERSTE GROUP BANK AG	AT0000A39GD4	Mortgages	1,000	- / Aaa / - / -	CQS 1	Level 1 / 7%	10%	Soft	N	n/a	✓	✓	✗
ERSTE GROUP BANK AG	AT0000A3B0X2	Mortgages	1,000	- / Aaa / - / -	CQS 1	Level 1 / 7%	10%	Soft	N	n/a	✓	✓	✗
HYPO NOE LB NOE WIEN AG	XS2176710510	Mortgages	500	- / Aa1 / - / -	CQS 1	Level 1 / 7%	10%	Soft	N	n/a	✓	✓	✗
HYPO NOE LB NOE WIEN AG	AT0000A2RY95	Mortgages	500	- / Aa1 / - / -	CQS 1	Level 1 / 7%	10%	Soft	N	n/a	✓	✓	✗
HYPO NOE LB NOE WIEN AG	AT0000A2STT8	Mortgages	500	- / Aa1 / - / -	CQS 1	Level 1 / 7%	10%	Soft	N	n/a	✓	✓	✗
HYPO NOE LB NOE WIEN AG	AT0000A2VXQ0	Mortgages	500	- / Aa1 / - / -	CQS 1	Level 1 / 7%	10%	Soft	N	n/a	✓	✓	✗
HYPO NOE LB NOE WIEN AG	AT0000A36WE5	Mortgages	500	- / Aa1 / - / -	CQS 1	Level 1 / 7%	10%	Soft	N	n/a	✓	✓	✗
HYPO NOE LB NOE WIEN AG	AT0000A3A3B3	Mortgages	500	- / Aa1 / - / -	CQS 1	Level 1 / 7%	10%	Soft	N	n/a	✓	✓	✗
HYPO NOE LB NOE WIEN AG	XS2057917366	Public Loans	500	- / Aa1 / - / -	CQS 1	Level 1 / 7%	10%	Soft	N	n/a	✓	✓	✗

* The covered bond ratings of the rating agency Scope are not explicitly shown due to technical restrictions. In our opinion, no adjustment of the credit quality steps derived here is inferred from the covered bond programmes rated by Scope.

Austria	ISIN	Cover Assets	Amount outstanding (EURm)	Rating (Fitch/Moody's/S&P/DBRS/Scope*)	Credit Quality Step	LCR-Level / Haircut	Risk weight	Maturity structure	ESG	ESG type	ECB	EEA	G10
HYPONOE LB NOEWIEN AG	AT0000A305R9	Public Loans	500	- / Aa1 / - / -	CQS 1	Level 1 / 7%	10%	Soft	N	n/a	✓	✓	✗
HYPONOE LB NOEWIEN AG	AT0000A33N23	Public Loans	500	- / Aa1 / - / -	CQS 1	Level 1 / 7%	10%	Soft	N	n/a	✓	✓	✗
HYPONOE LB NOEWIEN AG	AT0000A3C6F5	Public Loans	500	- / Aa1 / - / -	CQS 1	Level 1 / 7%	10%	Soft	N	n/a	✓	✓	✗
HYPOTIROL BANK AG	AT0000A2AYL3	Mortgages	500	- / Aaa / - / -	CQS 1	Level 1 / 7%	10%	Soft	N	n/a	✓	✓	✗
HYPOTIROL BANK AG	AT0000A2QDQ2	Mortgages	500	- / Aaa / - / -	CQS 1	Level 1 / 7%	10%	Soft	Y	Social	✓	✓	✗
HYPOVORARLBERG BANK AG	XS1856342560	Mortgages	500	- / Aaa / - / -	CQS 1	Level 1 / 7%	10%	Hard	N	n/a	✓	✓	✗
HYPOVORARLBERG BANK AG	XS1999728394	Mortgages	500	- / Aaa / - / -	CQS 1	Level 1 / 7%	10%	Hard	N	n/a	✓	✓	✗
HYPOVORARLBERG BANK AG	XS2396616455	Mortgages	500	- / Aaa / - / -	CQS 1	Level 1 / 7%	10%	Hard	N	n/a	✓	✓	✗
HYPOVORARLBERG BANK AG	XS2478521151	Mortgages	500	- / Aaa / - / -	CQS 1	Level 1 / 7%	10%	Hard	N	n/a	✓	✓	✗
HYPOVORARLBERG BANK AG	AT0000A30ZH4	Mortgages	500	- / Aaa / - / -	CQS 1	Level 1 / 7%	10%	Soft	N	n/a	✓	✓	✗
HYPOVORARLBERG BANK AG	AT0000A34CR4	Mortgages	500	- / Aaa / - / -	CQS 1	Level 1 / 7%	10%	Soft	N	n/a	✓	✓	✗
HYPOVORARLBERG BANK AG	AT0000A3CZ74	Mortgages	500	- / Aaa / - / -	CQS 1	Level 1 / 7%	10%	Soft	N	n/a	✓	✓	✗
KOMMUNALKREDIT AUSTRIA A	AT0000A3FWC3	Public Loans	500	- / - / A+ / -	CQS 2	Level 2A / 15%	20%	Soft	N	n/a	✓	✓	✗
RAIFFEISEN BANK INTL	XS2086861437	Mortgages	500	- / Aa1 / - / -	CQS 1	Level 1 / 7%	10%	Soft	N	n/a	✓	✓	✗
RAIFFEISEN BANK INTL	XS2435783613	Mortgages	500	- / Aa1 / - / -	CQS 1	Level 1 / 7%	10%	Soft	N	n/a	✓	✓	✗
RAIFFEISEN BANK INTL	XS2481491160	Mortgages	500	- / Aa1 / - / -	CQS 1	Level 1 / 7%	10%	Soft	N	n/a	✓	✓	✗
RAIFFEISEN BANK INTL	XS2537097409	Mortgages	500	- / Aa1 / - / -	CQS 1	Level 1 / 7%	10%	Soft	N	n/a	✓	✓	✗
RAIFFEISEN BANK INTL	XS2596528716	Mortgages	500	- / Aa1 / - / -	CQS 1	Level 1 / 7%	10%	Soft	N	n/a	✓	✓	✗
RAIFFEISEN BANK INTL	XS2626022656	Mortgages	500	- / Aa1 / - / -	CQS 1	Level 1 / 7%	10%	Soft	N	n/a	✓	✓	✗
RAIFFEISEN LB NIEDEROEST	XS1756364474	Mortgages	500	- / Aaa / - / -	CQS 1	Level 1 / 7%	10%	Hard	N	n/a	✓	✓	✗
RAIFFEISEN LB NIEDEROEST	XS1942629061	Mortgages	500	- / Aaa / - / -	CQS 1	Level 1 / 7%	10%	Soft	N	n/a	✓	✓	✗
RAIFFEISEN LB NIEDEROEST	XS2100569552	Mortgages	500	- / Aaa / - / -	CQS 1	Level 1 / 7%	10%	Soft	N	n/a	✓	✓	✗
RAIFFEISEN LB NIEDEROEST	XS2469466390	Mortgages	750	- / Aaa / - / -	CQS 1	Level 1 / 7%	10%	Soft	N	n/a	✓	✓	✗
RAIFFEISEN LB NIEDEROEST	XS2498470116	Mortgages	750	- / Aaa / - / -	CQS 1	Level 1 / 7%	10%	Soft	N	n/a	✓	✓	✗
RAIFFEISEN LB NIEDEROEST	XS2526846469	Mortgages	1,000	- / Aaa / - / -	CQS 1	Level 1 / 7%	10%	Soft	N	n/a	✓	✓	✗
RAIFFEISEN LB NIEDEROEST	XS2572298409	Mortgages	750	- / Aaa / - / -	CQS 1	Level 1 / 7%	10%	Soft	N	n/a	✓	✓	✗
RAIFFEISEN LB NIEDEROEST	XS2613629372	Mortgages	750	- / Aaa / - / -	CQS 1	Level 1 / 7%	10%	Soft	N	n/a	✓	✓	✗
RAIFFEISEN LB NIEDEROEST	XS2752052063	Mortgages	500	- / Aaa / - / -	CQS 1	Level 1 / 7%	10%	Soft	N	n/a	✓	✓	✗
RAIFFEISEN LB NIEDEROEST	XS1871114473	Public Loans	500	- / Aaa / - / -	CQS 1	Level 1 / 7%	10%	Soft	N	n/a	✓	✓	✗
RAIFFEISEN LB STEIERMARK	XS0942965525	Mortgages	500	- / Aaa / - / -	CQS 1	Level 1 / 7%	10%	Hard	N	n/a	✓	✓	✗
RAIFFEISEN LB STEIERMARK	AT000B093273	Mortgages	500	- / Aaa / - / -	CQS 1	Level 1 / 7%	10%	Hard	N	n/a	✓	✓	✗
RAIFFEISEN LB STEIERMARK	AT000B093547	Mortgages	500	- / Aaa / - / -	CQS 1	Level 1 / 7%	10%	Hard	N	n/a	✓	✓	✗
RAIFFEISEN LB STEIERMARK	AT000B093901	Mortgages	500	- / Aaa / - / -	CQS 1	Level 1 / 7%	10%	Soft	N	n/a	✓	✓	✗
RAIFFEISEN LB STEIERMARK	AT0000A35Y69	Mortgages	500	- / Aaa / - / -	CQS 1	Level 1 / 7%	10%	Soft	N	n/a	✓	✓	✗
RAIFFLANDESBANK TIROL	AT0000A32661	Mortgages	500	- / Aaa / - / -	CQS 1	Level 1 / 7%	10%	Soft	N	n/a	✓	✓	✗
RAIFFLANDESBANK TIROL	AT0000A39K79	Mortgages	500	- / Aaa / - / -	CQS 1	Level 1 / 7%	10%	Soft	N	n/a	✓	✓	✗

* The covered bond ratings of the rating agency Scope are not explicitly shown due to technical restrictions. In our opinion, no adjustment of the credit quality steps derived here is inferred from the covered bond programmes rated by Scope.

Austria	ISIN	Cover Assets	Amount outstanding (EURm)	Rating (Fitch/Moody's/S&P/DBRS/Scope*)	Credit Quality Step	LCR-Level / Haircut	Risk weight	Maturity structure	ESG	ESG type	ECB	EEA	G10
RLB OBEROESTERREICH	XS1495631993	Mortgages (Pool A)	500	- / Aaa / - / -	CQS 1	Level 1 / 7%	10%	Hard	N	n/a	✓	✓	✗
RLB OBEROESTERREICH	AT0000A228U7	Mortgages (Pool A)	500	- / Aaa / - / -	CQS 1	Level 1 / 7%	10%	Hard	N	n/a	✓	✓	✗
RLB OBEROESTERREICH	AT0000A2CFT1	Mortgages (Pool A)	500	- / Aaa / - / -	CQS 1	Level 1 / 7%	10%	Soft	N	n/a	✓	✓	✗
RLB OBEROESTERREICH	AT0000A2XLA5	Mortgages (Pool A)	500	- / Aaa / - / -	CQS 1	Level 1 / 7%	10%	Soft	N	n/a	✓	✓	✗
RLB OBEROESTERREICH	AT0000A2YD59	Mortgages (Pool A)	500	- / Aaa / - / -	CQS 1	Level 1 / 7%	10%	Soft	N	n/a	✓	✓	✗
RLB OBEROESTERREICH	AT0000A326M6	Mortgages (Pool A)	750	- / Aaa / - / -	CQS 1	Level 1 / 7%	10%	Soft	N	n/a	✓	✓	✗
RLB OBEROESTERREICH	AT0000A367F4	Mortgages (Pool A)	500	- / Aaa / - / -	CQS 1	Level 1 / 7%	10%	Soft	N	n/a	✓	✓	✗
UNICREDIT BK AUSTRIA AG	AT000B049739	Mortgages	500	- / Aaa / - / -	CQS 1	Level 1 / 7%	10%	Hard	N	n/a	✓	✓	✗
UNICREDIT BK AUSTRIA AG	AT000B049754	Mortgages	500	- / Aaa / - / -	CQS 1	Level 1 / 7%	10%	Hard	N	n/a	✓	✓	✗
UNICREDIT BK AUSTRIA AG	AT000B049788	Mortgages	500	- / Aaa / - / -	CQS 1	Level 1 / 7%	10%	Hard	N	n/a	✓	✓	✗
UNICREDIT BK AUSTRIA AG	AT000B049796	Mortgages	500	- / Aaa / - / -	CQS 1	Level 1 / 7%	10%	Hard	N	n/a	✓	✓	✗
UNICREDIT BK AUSTRIA AG	AT000B049846	Mortgages	500	- / Aaa / - / -	CQS 1	Level 1 / 7%	10%	Hard	N	n/a	✓	✓	✗
UNICREDIT BK AUSTRIA AG	AT000B049911	Mortgages	500	- / Aaa / - / -	CQS 1	Level 1 / 7%	10%	Hard	Y	Green	✓	✓	✗
UNICREDIT BK AUSTRIA AG	AT000B049929	Mortgages	500	- / Aaa / - / -	CQS 1	Level 1 / 7%	10%	Soft	N	n/a	✓	✓	✗
UNICREDIT BK AUSTRIA AG	AT000B049937	Mortgages	1,000	- / Aaa / - / -	CQS 1	Level 1 / 7%	10%	Soft	N	n/a	✓	✓	✗
UNICREDIT BK AUSTRIA AG	AT000B049945	Mortgages	750	- / Aaa / - / -	CQS 1	Level 1 / 7%	10%	Soft	Y	Green	✓	✓	✗
UNICREDIT BK AUSTRIA AG	AT000B049952	Mortgages	750	- / Aaa / - / -	CQS 1	Level 1 / 7%	10%	Soft	Y	Green	✓	✓	✗
VOLKSBANK WIEN AG	AT000B122031	Mortgages	500	- / Aaa / - / -	CQS 1	Level 1 / 7%	10%	Hard	N	n/a	✓	✓	✗
VOLKSBANK WIEN AG	AT000B122049	Mortgages	500	- / Aaa / - / -	CQS 1	Level 1 / 7%	10%	Hard	N	n/a	✓	✓	✗
VOLKSBANK WIEN AG	AT000B122197	Mortgages	500	- / Aaa / - / -	CQS 1	Level 1 / 7%	10%	Soft	N	n/a	✓	✓	✗
Belgium	ISIN	Cover Assets	Amount outstanding (EURm)	Rating (Fitch/Moody's/S&P/DBRS/Scope*)	Credit Quality Step	LCR-Level / Haircut	Risk weight	Maturity structure	ESG	ESG type	ECB	EEA	G10
ARGENTA SPAARBANK	BE6326767397	Mortgages	500	- / - / AAA / -	CQS 1	Level 1 / 7%	10%	Soft	N	n/a	✓	✓	✓
ARGENTA SPAARBANK	BE6331175826	Mortgages	500	- / - / AAA / -	CQS 1	Level 1 / 7%	10%	Soft	N	n/a	✓	✓	✓
ARGENTA SPAARBANK	BE6333477568	Mortgages	500	- / - / AAA / -	CQS 1	Level 1 / 7%	10%	Soft	N	n/a	✓	✓	✓
ARGENTA SPAARBANK	BE6338543786	Mortgages	500	- / - / AAA / -	CQS 1	Level 1 / 7%	10%	Soft	N	n/a	✓	✓	✓
ARGENTA SPAARBANK	BE6344564859	Mortgages	500	- / - / AAA / -	CQS 1	Level 1 / 7%	10%	Soft	N	n/a	✓	✓	✓
ARGENTA SPAARBANK	BE6349638187	Mortgages	750	- / - / AAA / -	CQS 1	Level 1 / 7%	10%	Soft	Y	Green	✓	✓	✓
ARGENTA SPAARBANK	BE6356934396	Mortgages	750	- / - / AAA / -	CQS 1	Level 1 / 7%	10%	Soft	Y	Green	✓	✓	✓
BELFIUS BANK SA/NV	BE0002598762	Mortgages	500	AAA / - / AAA / -	CQS 1	Level 1 / 7%	10%	Soft	N	n/a	✓	✓	✓
BELFIUS BANK SA/NV	BE0002682632	Mortgages	500	AAA / - / AAA / -	CQS 1	Level 1 / 7%	10%	Soft	N	n/a	✓	✓	✓
BELFIUS BANK SA/NV	BE0002892736	Mortgages	500	AAA / - / AAA / -	CQS 1	Level 1 / 7%	10%	Soft	N	n/a	✓	✓	✓
BELFIUS BANK SA/NV	BE0002921022	Mortgages	700	AAA / - / AAA / -	CQS 1	Level 1 / 7%	10%	Soft	N	n/a	✓	✓	✓
BELFIUS BANK SA/NV	BE0002970516	Mortgages	1,000	AAA / - / AAA / -	CQS 1	Level 1 / 7%	10%	Soft	N	n/a	✓	✓	✓
BELFIUS BANK SA/NV	BE0390105683	Mortgages	500	AAA / - / AAA / -	CQS 1	Level 1 / 7%	10%	Soft	N	n/a	✓	✓	✓

* The covered bond ratings of the rating agency Scope are not explicitly shown due to technical restrictions. In our opinion, no adjustment of the credit quality steps derived here is inferred from the covered bond programmes rated by Scope.

Belgium	ISIN	Cover Assets	Amount outstanding (EURm)	Rating (Fitch/Moody's/S&P/DBRS/Scope*)	Credit Quality Step	LCR-Level / Haircut	Risk weight	Maturity structure	ESG	ESG type	ECB	EEA	G10
BELFIUS BANK SA/NV	BE0002260298	Public Loans	500	- / Aaa / AAA / -	CQS 1	Level 1 / 7%	10%	Soft	N	n/a	✓	✓	✓
BELFIUS BANK SA/NV	BE0002669506	Public Loans	500	- / Aaa / AAA / -	CQS 1	Level 1 / 7%	10%	Soft	N	n/a	✓	✓	✓
BNP PARIBAS FORTIS SA	BE0002586643	Mortgages	750	- / Aaa / AAA / -	CQS 1	Level 1 / 7%	10%	Soft	N	n/a	✓	✓	✓
BNP PARIBAS FORTIS SA	BE0002974559	Mortgages	1,000	- / Aaa / AAA / -	CQS 1	Level 1 / 7%	10%	Soft	N	n/a	✓	✓	✓
ING BELGIUM SA	BE0002613918	Mortgages	1,000	AAA / Aaa / - / -	CQS 1	Level 1 / 7%	10%	Soft	N	n/a	✓	✓	✓
ING BELGIUM SA	BE0002684653	Mortgages	1,250	AAA / Aaa / - / -	CQS 1	Level 1 / 7%	10%	Soft	N	n/a	✓	✓	✓
ING BELGIUM SA	BE0002859404	Mortgages	1,000	AAA / Aaa / - / -	CQS 1	Level 1 / 7%	10%	Soft	N	n/a	✓	✓	✓
ING BELGIUM SA	BE0002947282	Mortgages	1,250	AAA / Aaa / - / -	CQS 1	Level 1 / 7%	10%	Soft	N	n/a	✓	✓	✓
ING BELGIUM SA	BE0390110733	Mortgages	1,000	AAA / Aaa / - / -	CQS 1	Level 1 / 7%	10%	Soft	N	n/a	✓	✓	✓
KBC BANK NV	BE0002500750	Mortgages	500	AAA / Aaa / - / -	CQS 1	Level 1 / 7%	10%	Soft	N	n/a	✓	✓	✓
KBC BANK NV	BE0002583616	Mortgages	750	AAA / Aaa / - / -	CQS 1	Level 1 / 7%	10%	Soft	N	n/a	✓	✓	✓
KBC BANK NV	BE0002707884	Mortgages	1,000	AAA / Aaa / - / -	CQS 1	Level 1 / 7%	10%	Soft	N	n/a	✓	✓	✓
KBC BANK NV	BE0002924059	Mortgages	1,000	AAA / Aaa / - / -	CQS 1	Level 1 / 7%	10%	Soft	N	n/a	✓	✓	✓
KBC BANK NV	BE0002948298	Mortgages	750	AAA / Aaa / - / -	CQS 1	Level 1 / 7%	10%	Soft	N	n/a	✓	✓	✓
KBC BANK NV	BE0002967488	Mortgages	1,000	AAA / Aaa / - / -	CQS 1	Level 1 / 7%	10%	Soft	N	n/a	✓	✓	✓
Canada	ISIN	Cover Assets	Amount outstanding (EURm)	Rating (Fitch/Moody's/S&P/DBRS/Scope*)	Credit Quality Step	LCR-Level / Haircut	Risk weight	Maturity structure	ESG	ESG type	ECB	EEA	G10
BANK OF MONTREAL	XS2351089508	Mortgages	1,250	AAA / Aaa / - / AAA	CQS 1	Level 2A / 15%	20%	Soft	N	n/a	✓	✗	✓
BANK OF MONTREAL	XS2430951744	Mortgages	2,750	AAA / Aaa / - / AAA	CQS 1	Level 2A / 15%	20%	Soft	N	n/a	✓	✗	✓
BANK OF MONTREAL	XS2465609191	Mortgages	1,750	AAA / Aaa / - / AAA	CQS 1	Level 2A / 15%	20%	Soft	N	n/a	✓	✗	✓
BANK OF MONTREAL	XS2544624112	Mortgages	1,000	AAA / Aaa / - / AAA	CQS 1	Level 2A / 15%	20%	Soft	N	n/a	✓	✗	✓
BANK OF MONTREAL	XS2607350985	Mortgages	2,000	AAA / Aaa / - / AAA	CQS 1	Level 2A / 15%	20%	Soft	N	n/a	✓	✗	✓
BANK OF NOVA SCOTIA	XS2101325111	Mortgages	1,500	AAA / Aaa / - / AAA	CQS 1	Level 2A / 15%	20%	Soft	N	n/a	✓	✗	✓
BANK OF NOVA SCOTIA	XS2386592138	Mortgages	1,500	AAA / Aaa / - / AAA	CQS 1	Level 2A / 15%	20%	Soft	N	n/a	✓	✗	✓
BANK OF NOVA SCOTIA	XS2421186268	Mortgages	1,750	AAA / Aaa / - / AAA	CQS 1	Level 2A / 15%	20%	Soft	N	n/a	✓	✗	✓
BANK OF NOVA SCOTIA	XS2435614693	Mortgages	1,250	AAA / Aaa / - / AAA	CQS 1	Level 2A / 15%	20%	Soft	N	n/a	✓	✗	✓
BANK OF NOVA SCOTIA	XS2457002538	Mortgages	2,200	AAA / Aaa / - / AAA	CQS 1	Level 2A / 15%	20%	Soft	N	n/a	✓	✗	✓
BANK OF NOVA SCOTIA	XS2576390459	Mortgages	2,250	AAA / Aaa / - / AAA	CQS 1	Level 2A / 15%	20%	Soft	N	n/a	✓	✗	✓
CANADIAN IMPERIAL BANK	XS2025468542	Mortgages	1,000	AAA / Aaa / - / -	CQS 1	Level 2A / 15%	20%	Soft	N	n/a	✓	✗	✓
CANADIAN IMPERIAL BANK	XS2337335710	Mortgages	1,000	AAA / Aaa / - / -	CQS 1	Level 2A / 15%	20%	Soft	N	n/a	✓	✗	✓
CANADIAN IMPERIAL BANK	XS2393661397	Mortgages	1,500	AAA / Aaa / - / -	CQS 1	Level 2A / 15%	20%	Soft	N	n/a	✓	✗	✓
CANADIAN IMPERIAL BANK	XS2454011839	Mortgages	2,500	AAA / Aaa / - / -	CQS 1	Level 2A / 15%	20%	Soft	N	n/a	✓	✗	✓
CANADIAN IMPERIAL BANK	XS2607063497	Mortgages	1,500	AAA / Aaa / - / -	CQS 1	Level 2A / 15%	20%	Soft	N	n/a	✓	✗	✓
CANADIAN IMPERIAL BANK	XS2909743648	Mortgages	1,250	AAA / Aaa / - / -	CQS 1	Level 2A / 15%	20%	Soft	N	n/a	✓	✗	✓
EQUITABLE BANK	XS2808183649	Mortgages	500	AA+ / - / - / AA	CQS 1	Level 2A / 15%	20%	Soft	Y	Social	✓	✗	✓

* The covered bond ratings of the rating agency Scope are not explicitly shown due to technical restrictions. In our opinion, no adjustment of the credit quality steps derived here is inferred from the covered bond programmes rated by Scope.

Canada	ISIN	Cover Assets	Amount outstanding (EURm)	Rating (Fitch/Moody's/S&P/DBRS/Scope*)	Credit Quality Step	LCR-Level / Haircut	Risk weight	Maturity structure	ESG	ESG type	ECB	EEA	G10
FED CAISSES DESJARDINS	XS2083301106	Mortgages	500	AAA / Aaa / - / -	CQS 1	Level 2A / 15%	20%	Soft	N	n/a	✓	✗	✓
FED CAISSES DESJARDINS	XS2328625723	Mortgages	500	AAA / Aaa / - / -	CQS 1	Level 2A / 15%	20%	Soft	N	n/a	✓	✗	✓
FED CAISSES DESJARDINS	XS2440108491	Mortgages	750	AAA / Aaa / - / -	CQS 1	Level 2A / 15%	20%	Soft	N	n/a	✓	✗	✓
FED CAISSES DESJARDINS	XS2526825463	Mortgages	750	AAA / Aaa / - / -	CQS 1	Level 2A / 15%	20%	Soft	N	n/a	✓	✗	✓
FED CAISSES DESJARDINS	XS2613159719	Mortgages	750	AAA / Aaa / - / -	CQS 1	Level 2A / 15%	20%	Soft	N	n/a	✓	✗	✓
FED CAISSES DESJARDINS	XS2829867527	Mortgages	1,000	AAA / Aaa / - / -	CQS 1	Level 2A / 15%	20%	Soft	N	n/a	✓	✗	✓
NATIONAL BANK OF CANADA	XS2324405203	Mortgages	500	AAA / Aaa / - / AAA	CQS 1	Level 2A / 15%	20%	Soft	N	n/a	✓	✗	✓
NATIONAL BANK OF CANADA	XS2390837495	Mortgages	750	AAA / Aaa / - / AAA	CQS 1	Level 2A / 15%	20%	soft	N	n/a	✓	✗	✓
NATIONAL BANK OF CANADA	XS2436160936	Mortgages	1,000	AAA / Aaa / - / AAA	CQS 1	Level 2A / 15%	20%	Soft	N	n/a	✓	✗	✓
NATIONAL BANK OF CANADA	XS2615559130	Mortgages	1,000	AAA / Aaa / - / AAA	CQS 1	Level 2A / 15%	20%	Soft	N	n/a	✓	✗	✓
NATIONAL BANK OF CANADA	XS2920588618	Mortgages	750	AAA / Aaa / - / AAA	CQS 1	Level 2A / 15%	20%	Soft	N	n/a	✓	✗	✓
ROYAL BANK OF CANADA	XS2014288315	Mortgages	1,250	AAA / Aaa / - / AAA	CQS 1	Level 2A / 15%	20%	Soft	N	n/a	✓	✗	✓
ROYAL BANK OF CANADA	XS2104915207	Mortgages	1,500	AAA / Aaa / - / AAA	CQS 1	Level 2A / 15%	20%	Soft	N	n/a	✓	✗	✓
ROYAL BANK OF CANADA	XS2291788656	Mortgages	1,250	AAA / Aaa / - / AAA	CQS 1	Level 2A / 15%	20%	Soft	N	n/a	✓	✗	✓
ROYAL BANK OF CANADA	XS2386287762	Mortgages	750	AAA / Aaa / - / AAA	CQS 1	Level 2A / 15%	20%	Soft	N	n/a	✓	✗	✓
ROYAL BANK OF CANADA	XS2393518910	Mortgages	1,250	AAA / Aaa / - / AAA	CQS 1	Level 2A / 15%	20%	Soft	N	n/a	✓	✗	✓
ROYAL BANK OF CANADA	XS2436159847	Mortgages	2,000	AAA / Aaa / - / AAA	CQS 1	Level 2A / 15%	20%	Soft	N	n/a	✓	✗	✓
ROYAL BANK OF CANADA	XS2460043743	Mortgages	2,000	AAA / Aaa / - / AAA	CQS 1	Level 2A / 15%	20%	Soft	N	n/a	✓	✗	✓
ROYAL BANK OF CANADA	XS2481285349	Mortgages	1,000	AAA / Aaa / - / AAA	CQS 1	Level 2A / 15%	20%	Soft	N	n/a	✓	✗	✓
ROYAL BANK OF CANADA	XS2488800405	Mortgages	1,000	AAA / Aaa / - / AAA	CQS 1	Level 2A / 15%	20%	Soft	N	n/a	✓	✗	✓
ROYAL BANK OF CANADA	XS2531567753	Mortgages	1,500	AAA / Aaa / - / AAA	CQS 1	Level 2A / 15%	20%	Soft	N	n/a	✓	✗	✓
ROYAL BANK OF CANADA	XS2595029344	Mortgages	1,000	- / Aaa / - / AAA	CQS 1	Level 2A / 15%	20%	Soft	N	n/a	✓	✗	✓
ROYAL BANK OF CANADA	XS2656481004	Mortgages	1,500	AAA / Aaa / - / AAA	CQS 1	Level 2A / 15%	20%	Soft	N	n/a	✓	✗	✓
TORONTO-DOMINION BANK	XS2028803984	Mortgages	1,250	AAA / Aaa / - / AAA	CQS 1	Level 2A / 15%	20%	Soft	N	n/a	✓	✗	✓
TORONTO-DOMINION BANK	XS2461741212	Mortgages	2,500	AAA / Aaa / - / AAA	CQS 1	Level 2A / 15%	20%	Soft	N	n/a	✓	✗	✓
TORONTO-DOMINION BANK	XS2549702475	Mortgages	1,250	AAA / Aaa / - / AAA	CQS 1	Level 2A / 15%	20%	Soft	N	n/a	✓	✗	✓
TORONTO-DOMINION BANK	XS2597408439	Mortgages	3,500	AAA / Aaa / - / AAA	CQS 1	Level 2A / 15%	20%	Soft	N	n/a	✓	✗	✓
TORONTO-DOMINION BANK	XS2597408272	Mortgages	1,500	AAA / Aaa / - / AAA	CQS 1	Level 2A / 15%	20%	Soft	N	n/a	✓	✗	✓
TORONTO-DOMINION BANK	XS2676778835	Mortgages	1,500	AAA / Aaa / - / AAA	CQS 1	Level 2A / 15%	20%	Soft	N	n/a	✓	✗	✓
TORONTO-DOMINION BANK	XS2676779304	Mortgages	1,000	AAA / Aaa / - / AAA	CQS 1	Level 2A / 15%	20%	Soft	N	n/a	✓	✗	✓
TORONTO-DOMINION BANK	XS2782117464	Mortgages	2,500	AAA / Aaa / - / AAA	CQS 1	Level 2A / 15%	20%	Soft	N	n/a	✓	✗	✓
TORONTO-DOMINION BANK	XS2782119916	Mortgages	1,000	AAA / Aaa / - / AAA	CQS 1	Level 2A / 15%	20%	Soft	N	n/a	✓	✗	✓
TORONTO-DOMINION BANK	XS2895482201	Mortgages	1,500	AAA / Aaa / - / AAA	CQS 1	Level 2A / 15%	20%	Soft	N	n/a	✓	✗	✓
TORONTO-DOMINION BANK	XS2895480411	Mortgages	1,750	AAA / Aaa / - / AAA	CQS 1	Level 2A / 15%	20%	Soft	N	n/a	✓	✗	✓

* The covered bond ratings of the rating agency Scope are not explicitly shown due to technical restrictions. In our opinion, no adjustment of the credit quality steps derived here is inferred from the covered bond programmes rated by Scope.

Czechia	ISIN	Cover Assets	Amount outstanding (EURm)	Rating (Fitch/Moody's/S&P/DBRS/Scope*)	Credit Quality Step	LCR-Level / Haircut	Risk weight	Maturity structure	ESG	ESG type	ECB	EEA	G10
KOMERCNI BANKA AS	XS2289128162	Mortgages	500	AAA / - / - / -	CQS 1	Level 1 / 7%	10%	Soft	N	n/a	✓	✓	✗
UNICREDIT BANK CZECH RE	XS2541314584	Mortgages	500	- / Aa2 / - / -	CQS 1	Level 1 / 7%	10%	Soft	N	n/a	✓	✓	✗
UNICREDIT BANK CZECH RE	XS2585977882	Mortgages	500	- / Aa2 / - / -	CQS 1	Level 1 / 7%	10%	Soft	N	n/a	✓	✓	✗
UNICREDIT BANK CZECH RE	XS2637445276	Mortgages	500	- / Aa2 / - / -	CQS 1	Level 1 / 7%	10%	Soft	Y	Green	✓	✓	✗
UNICREDIT BANK CZECH RE	XS2907249457	Mortgages	500	- / Aa2 / - / -	CQS 1	Level 1 / 7%	10%	Soft	N	n/a	✓	✓	✗
Denmark	ISIN	Cover Assets	Amount outstanding (EURm)	Rating (Fitch/Moody's/S&P/DBRS/Scope*)	Credit Quality Step	LCR-Level / Haircut	Risk weight	Maturity structure	ESG	ESG type	ECB	EEA	G10
DANMARKS SKIBSKREDIT AS	DK0004133139	Mortgages (Capital Centre A)	500	- / - / A / -	CQS 2	Level 2A / 15%	20%	Hard	N	n/a	✓	✓	✗
DANMARKS SKIBSKREDIT AS	DK0004133725	Mortgages (Capital Centre A)	500	- / - / A / -	CQS 2	Level 2A / 15%	20%	Hard	N	n/a	✓	✓	✗
DANSKE BANK A/S	XS1720947917	Mortgages (Pool C)	500	- / - / AAA / -	CQS 1	Level 1 / 7%	10%	Soft	N	n/a	✓	✓	✗
DANSKE BANK A/S	XS2835735916	Mortgages (Pool D)	750	- / - / AAA / -	CQS 1	Level 1 / 7%	10%	Soft	N	n/a	✓	✓	✗
JYSKE REALKREDIT A/S	XS1514010310	Mortgages (Capital Centre E)	750	- / - / AAA / -	CQS 1	Level 1 / 7%	10%	Soft	N	n/a	✓	✓	✗
JYSKE REALKREDIT A/S	DK0009404618	Mortgages (Capital Centre E)	500	- / - / AAA / -	CQS 1	Level 1 / 7%	10%	Soft	N	n/a	✓	✓	✗
JYSKE REALKREDIT A/S	DK0009410185	Mortgages (Capital Centre E)	500	- / - / AAA / -	CQS 1	Level 1 / 7%	10%	Soft	N	n/a	✓	✓	✗
JYSKE REALKREDIT A/S	DK0009412553	Mortgages (Capital Centre E)	750	- / - / AAA / -	CQS 1	Level 1 / 7%	10%	Soft	N	n/a	✓	✓	✗
JYSKE REALKREDIT A/S	DK0009414336	Mortgages (Capital Centre E)	750	- / - / AAA / -	CQS 1	Level 1 / 7%	10%	Soft	N	n/a	✓	✓	✗
Estonia	ISIN	Cover Assets	Amount outstanding (EURm)	Rating (Fitch/Moody's/S&P/DBRS/Scope*)	Credit Quality Step	LCR-Level / Haircut	Risk weight	Maturity structure	ESG	ESG type	ECB	EEA	G10
LUMINOR BANK	XS2480961015	Mortgages	500	- / Aaa / - / -	CQS 1	Level 1 / 7%	10%	Soft	N	n/a	✓	✓	✗
Finland	ISIN	Cover Assets	Amount outstanding (EURm)	Rating (Fitch/Moody's/S&P/DBRS/Scope*)	Credit Quality Step	LCR-Level / Haircut	Risk weight	Maturity structure	ESG	ESG type	ECB	EEA	G10
AKTIA BANK	XS2630109226	Mortgages (Pool 1)	500	- / Aaa / - / -	CQS 1	Level 1 / 7%	10%	Soft	N	n/a	✓	✓	✗
AKTIA BANK	XS2824758044	Mortgages (Pool 1)	500	- / Aaa / - / -	CQS 1	Level 1 / 7%	10%	Soft	N	n/a	✓	✓	✗
AKTIA BANK	XS1958616176	Mortgages (Pool 2)	500	- / Aaa / - / -	CQS 1	Level 1 / 7%	10%	Soft	N	n/a	✓	✓	✗
AKTIA BANK	XS2436153139	Mortgages (Pool 2)	500	- / Aaa / - / -	CQS 1	Level 1 / 7%	10%	Soft	N	n/a	✓	✓	✗
DANSKE KIINNITYSLUOTTOPA	XS2058989489	Mortgages	1,000	- / Aaa / - / -	CQS 1	Level 1 / 7%	10%	Soft	N	n/a	✓	✓	✗
DANSKE KIINNITYSLUOTTOPA	XS2412105533	Mortgages	500	- / Aaa / - / -	CQS 1	Level 1 / 7%	10%	Soft	N	n/a	✓	✓	✗
DANSKE KIINNITYSLUOTTOPA	XS2621830848	Mortgages	500	- / Aaa / - / -	CQS 1	Level 1 / 7%	10%	Soft	N	n/a	✓	✓	✗
DANSKE KIINNITYSLUOTTOPA	XS2673564832	Mortgages	1,000	- / Aaa / - / -	CQS 1	Level 1 / 7%	10%	Soft	N	n/a	✓	✓	✗
NORDEA KIINNITYSLUOTTO	XS1204140971	Mortgages (Cover Pool)	1,000	- / Aaa / - / -	CQS 1	Level 1 / 7%	10%	Hard	N	n/a	✓	✓	✗
NORDEA KIINNITYSLUOTTO	XS1784071042	Mortgages (Cover Pool)	750	- / Aaa / - / -	CQS 1	Level 1 / 7%	10%	Hard	N	n/a	✓	✓	✗
NORDEA KIINNITYSLUOTTO	XS1963717704	Mortgages (Cover Pool)	1,500	- / Aaa / - / -	CQS 1	Level 1 / 7%	10%	Hard	N	n/a	✓	✓	✗
NORDEA KIINNITYSLUOTTO	XS2013525410	Mortgages (Cover Pool)	1,000	- / Aaa / - / -	CQS 1	Level 1 / 7%	10%	Hard	N	n/a	✓	✓	✗

* The covered bond ratings of the rating agency Scope are not explicitly shown due to technical restrictions. In our opinion, no adjustment of the credit quality steps derived here is inferred from the covered bond programmes rated by Scope.

Finland	ISIN	Cover Assets	Amount outstanding (EURm)	Rating (Fitch/Moody's/S&P/DBRS/Scope*)	Credit Quality Step	LCR-Level / Haircut	Risk weight	Maturity structure	ESG	ESG type	ECB	EEA	G10
NORDEA KIINNITYSLUOTTO	XS2463702907	Mortgages (Cover Pool 2)	1,500	- / Aaa / - / -	CQS 1	Level 1 / 7%	10%	Hard	N	n/a	✓	✓	✗
NORDEA KIINNITYSLUOTTO	XS2532376949	Mortgages (Cover Pool 2)	1,000	- / Aaa / - / -	CQS 1	Level 1 / 7%	10%	Soft	N	n/a	✓	✓	✗
NORDEA KIINNITYSLUOTTO	XS2561746855	Mortgages (Cover Pool 2)	1,000	- / Aaa / - / -	CQS 1	Level 1 / 7%	10%	Soft	Y	Green	✓	✓	✗
NORDEA KIINNITYSLUOTTO	XS2589317697	Mortgages (Cover Pool 2)	1,000	- / Aaa / - / -	CQS 1	Level 1 / 7%	10%	Soft	N	n/a	✓	✓	✗
NORDEA KIINNITYSLUOTTO	XS2673972795	Mortgages (Cover Pool 2)	1,000	- / Aaa / - / -	CQS 1	Level 1 / 7%	10%	Soft	Y	Green	✓	✓	✗
NORDEA KIINNITYSLUOTTO	XS2708690685	Mortgages (Cover Pool 2)	1,000	- / Aaa / - / -	CQS 1	Level 1 / 7%	10%	Soft	N	n/a	✓	✓	✗
NORDEA KIINNITYSLUOTTO	XS2758065796	Mortgages (Cover Pool 2)	1,000	- / Aaa / - / -	CQS 1	Level 1 / 7%	10%	Soft	N	n/a	✓	✓	✗
NORDEA KIINNITYSLUOTTO	XS2802191937	Mortgages (Cover Pool 2)	1,000	- / Aaa / - / -	CQS 1	Level 1 / 7%	10%	Soft	N	n/a	✓	✓	✗
OMA SAASTOPANKKI OYJ	FI4000466412	Mortgages	650	- / - / AAA / -	CQS 1	Level 1 / 7%	10%	Soft	N	n/a	✓	✓	✗
OMA SAASTOPANKKI OYJ	FI4000522974	Mortgages	600	- / - / AAA / -	CQS 1	Level 1 / 7%	10%	Soft	N	n/a	✓	✓	✗
OMA SAASTOPANKKI OYJ	FI4000562095	Mortgages	500	- / - / AAA / -	CQS 1	Level 1 / 7%	10%	Soft	N	n/a	✓	✓	✗
OP MORTGAGE BANK	XS2558247677	Mortgages (EMTCB)	1,250	- / Aaa / - / -	CQS 1	Level 1 / 7%	10%	Soft	N	n/a	✓	✓	✗
OP MORTGAGE BANK	XS2580224082	Mortgages (EMTCB)	1,000	- / Aaa / - / -	CQS 1	Level 1 / 7%	10%	Soft	N	n/a	✓	✓	✗
OP MORTGAGE BANK	XS2613838296	Mortgages (EMTCB)	1,000	- / Aaa / - / -	CQS 1	Level 1 / 7%	10%	Soft	N	n/a	✓	✓	✗
OP MORTGAGE BANK	XS2717292788	Mortgages (EMTCB)	1,000	- / Aaa / - / -	CQS 1	Level 1 / 7%	10%	Soft	N	n/a	✓	✓	✗
OP MORTGAGE BANK	XS2749486556	Mortgages (EMTCB)	1,000	- / Aaa / - / -	CQS 1	Level 1 / 7%	10%	Soft	N	n/a	✓	✓	✗
OP MORTGAGE BANK	XS2909760063	Mortgages (EMTCB)	1,000	- / Aaa / - / -	CQS 1	Level 1 / 7%	10%	Soft	N	n/a	✓	✓	✗
OP MORTGAGE BANK	XS1626141698	Mortgages (EMTCN)	1,000	- / Aaa / AAA / -	CQS 1	Level 1 / 7%	10%	Soft	N	n/a	✓	✓	✗
OP MORTGAGE BANK	XS1951927158	Mortgages (EMTCN)	1,250	- / Aaa / AAA / -	CQS 1	Level 1 / 7%	10%	Soft	N	n/a	✓	✓	✗
OP MORTGAGE BANK	XS2081168358	Mortgages (EMTCN)	1,000	- / Aaa / AAA / -	CQS 1	Level 1 / 7%	10%	Soft	N	n/a	✓	✓	✗
OP MORTGAGE BANK	XS2105779719	Mortgages (EMTCN)	1,000	- / Aaa / AAA / -	CQS 1	Level 1 / 7%	10%	Soft	N	n/a	✓	✓	✗
OP MORTGAGE BANK	XS2260183285	Mortgages (EMTCN)	1,250	- / Aaa / AAA / -	CQS 1	Level 1 / 7%	10%	Soft	N	n/a	✓	✓	✗
OP MORTGAGE BANK	XS2324321368	Mortgages (EMTCN)	750	- / Aaa / AAA / -	CQS 1	Level 1 / 7%	10%	Soft	Y	Green	✓	✓	✗
OP MORTGAGE BANK	XS2465142755	Mortgages (EMTCN)	1,000	- / Aaa / AAA / -	CQS 1	Level 1 / 7%	10%	Soft	Y	Green	✓	✓	✗
SP KIINNITYSLUOTTOPANKKI	XS2014370915	Mortgages (SP-01)	500	- / - / AAA / -	CQS 1	Level 1 / 7%	10%	Soft	N	n/a	✓	✓	✗
SP KIINNITYSLUOTTOPANKKI	XS2391343196	Mortgages (SP-01)	500	- / - / AAA / -	CQS 1	Level 1 / 7%	10%	soft	N	n/a	✓	✓	✗
SP KIINNITYSLUOTTOPANKKI	XS2550557800	Mortgages (SP-02)	750	- / - / AAA / -	CQS 1	Level 1 / 7%	10%	Soft	N	n/a	✓	✓	✗
SP KIINNITYSLUOTTOPANKKI	XS2812394737	Mortgages (SP-02)	500	- / - / AAA / -	CQS 1	Level 1 / 7%	10%	Soft	N	n/a	✓	✓	✗
S-PANKKI OYJ	FI4000560990	Mortgages	500	- / - / AAA / -	CQS 1	Level 1 / 7%	10%	Soft	N	n/a	✓	✓	✗
S-PANKKI OYJ	FI4000570841	Mortgages	500	- / - / AAA / -	CQS 1	Level 1 / 7%	10%	Soft	N	n/a	✓	✓	✗
France	ISIN	Cover Assets	Amount outstanding (EURm)	Rating (Fitch/Moody's/S&P/DBRS/Scope*)	Credit Quality Step	LCR-Level / Haircut	Risk weight	Maturity structure	ESG	ESG type	ECB	EEA	G10
ARKEA HOME LOANS	FR0013284908	Mortgages	500	AAA / Aaa / - / -	CQS 1	Level 1 / 7%	10%	Soft	N	n/a	✓	✓	✓
ARKEA HOME LOANS	FR0013336229	Mortgages	500	AAA / Aaa / - / -	CQS 1	Level 1 / 7%	10%	Soft	N	n/a	✓	✓	✓
ARKEA HOME LOANS	FR0013433281	Mortgages	500	AAA / Aaa / - / -	CQS 1	Level 1 / 7%	10%	Soft	N	n/a	✓	✓	✓

* The covered bond ratings of the rating agency Scope are not explicitly shown due to technical restrictions. In our opinion, no adjustment of the credit quality steps derived here is inferred from the covered bond programmes rated by Scope.

France	ISIN	Cover Assets	Amount outstanding (EURm)	Rating (Fitch/Moody's/S&P/DBRS/Scope*)	Credit Quality Step	LCR-Level / Haircut	Risk weight	Maturity structure	ESG	ESG type	ECB	EEA	G10
ARKEA HOME LOANS	FR0013515715	Mortgages	1,000	AAA / Aaa / - / -	CQS 1	Level 1 / 7%	10%	Soft	N	n/a	✓	✓	✓
ARKEA HOME LOANS	FR001400ABK6	Mortgages	750	AAA / Aaa / - / -	CQS 1	Level 1 / 7%	10%	Soft	N	n/a	✓	✓	✓
ARKEA HOME LOANS	FR001400CZO3	Mortgages	500	AAA / Aaa / - / -	CQS 1	Level 1 / 7%	10%	Soft	N	n/a	✓	✓	✓
ARKEA HOME LOANS	FR001400EEX5	Mortgages	500	AAA / Aaa / - / -	CQS 1	Level 1 / 7%	10%	Soft	N	n/a	✓	✓	✓
ARKEA HOME LOANS	FR001400FJM4	Mortgages	750	AAA / Aaa / - / -	CQS 1	Level 1 / 7%	10%	Soft	N	n/a	✓	✓	✓
ARKEA HOME LOANS	FR001400ICR2	Mortgages	1,000	AAA / Aaa / - / -	CQS 1	Level 1 / 7%	10%	Soft	Y	Green	✓	✓	✓
ARKEA HOME LOANS	FR001400NNC1	Mortgages	1,000	AAA / Aaa / - / -	CQS 1	Level 1 / 7%	10%	Soft	N	n/a	✓	✓	✓
ARKEA PUBLIC SECTOR SCF	FR0013460417	Public Loans	500	- / Aaa / - / -	CQS 1	Level 1 / 7%	10%	Soft	N	n/a	✓	✓	✓
ARKEA PUBLIC SECTOR SCF	FR0014009GQ8	Public Loans	500	- / Aaa / - / -	CQS 1	Level 1 / 7%	10%	Soft	N	n/a	✓	✓	✓
ARKEA PUBLIC SECTOR SCF	FR001400EZL5	Public Loans	850	- / Aaa / - / -	CQS 1	Level 1 / 7%	10%	Soft	N	n/a	✓	✓	✓
ARKEA PUBLIC SECTOR SCF	FR001400O9E0	Public Loans	750	- / Aaa / - / -	CQS 1	Level 1 / 7%	10%	Soft	N	n/a	✓	✓	✓
AXA HOME LOAN SFH	FR0013432069	Mortgages	1,000	AAA / - / AAA / -	CQS 1	Level 1 / 7%	10%	Soft	N	n/a	✓	✓	✓
AXA HOME LOAN SFH	FR0013453172	Mortgages	500	AAA / - / AAA / -	CQS 1	Level 1 / 7%	10%	Soft	N	n/a	✓	✓	✓
AXA HOME LOAN SFH	FR0013520210	Mortgages	750	AAA / - / AAA / -	CQS 1	Level 1 / 7%	10%	Soft	N	n/a	✓	✓	✓
AXA HOME LOAN SFH	FR00140098T5	Mortgages	500	AAA / - / AAA / -	CQS 1	Level 1 / 7%	10%	Soft	N	n/a	✓	✓	✓
BNP PARIBAS HOMELOAN SFH	FR001400FIG8	Mortgages	1,000	AAA / - / AAA / -	CQS 1	Level 1 / 7%	10%	Soft	N	n/a	✓	✓	✓
BNP PARIBAS HOMELOAN SFH	FR001400I2W5	Mortgages	1,650	AAA / - / AAA / -	CQS 1	Level 1 / 7%	10%	Soft	N	n/a	✓	✓	✓
BNP PARIBAS HOMELOAN SFH	FR001400TNF1	Mortgages	500	AAA / - / AAA / -	CQS 1	Level 1 / 7%	10%	Soft	N	n/a	✓	✓	✓
BPCE SFH - SOCIETE DE FI	FR0013186046	Mortgages	1,500	- / Aaa / AAA / -	CQS 1	Level 1 / 7%	10%	Soft	N	n/a	✓	✓	✓
BPCE SFH - SOCIETE DE FI	FR0013260361	Mortgages	1,000	- / Aaa / AAA / -	CQS 1	Level 1 / 7%	10%	Soft	N	n/a	✓	✓	✓
BPCE SFH - SOCIETE DE FI	FR0013286820	Mortgages	1,000	- / Aaa / AAA / -	CQS 1	Level 1 / 7%	10%	Soft	N	n/a	✓	✓	✓
BPCE SFH - SOCIETE DE FI	FR0013383346	Mortgages	1,000	- / Aaa / AAA / -	CQS 1	Level 1 / 7%	10%	Soft	N	n/a	✓	✓	✓
BPCE SFH - SOCIETE DE FI	FR0013403862	Mortgages	1,750	- / Aaa / AAA / -	CQS 1	Level 1 / 7%	10%	Soft	N	n/a	✓	✓	✓
BPCE SFH - SOCIETE DE FI	FR0013421799	Mortgages	1,000	- / Aaa / AAA / -	CQS 1	Level 1 / 7%	10%	Soft	N	n/a	✓	✓	✓
BPCE SFH - SOCIETE DE FI	FR0013459047	Mortgages	1,250	- / Aaa / AAA / -	CQS 1	Level 1 / 7%	10%	Soft	N	n/a	✓	✓	✓
BPCE SFH - SOCIETE DE FI	FR0013477924	Mortgages	1,250	- / Aaa / AAA / -	CQS 1	Level 1 / 7%	10%	Soft	N	n/a	✓	✓	✓
BPCE SFH - SOCIETE DE FI	FR0013477940	Mortgages	1,150	- / Aaa / AAA / -	CQS 1	Level 1 / 7%	10%	Soft	N	n/a	✓	✓	✓
BPCE SFH - SOCIETE DE FI	FR0013514502	Mortgages	1,250	- / Aaa / AAA / -	CQS 1	Level 1 / 7%	10%	Soft	Y	Green	✓	✓	✓
BPCE SFH - SOCIETE DE FI	FR0013533403	Mortgages	1,000	- / Aaa / AAA / -	CQS 1	Level 1 / 7%	10%	Soft	N	n/a	✓	✓	✓
BPCE SFH - SOCIETE DE FI	FR0014001MO8	Mortgages	1,000	- / Aaa / AAA / -	CQS 1	Level 1 / 7%	10%	Soft	N	n/a	✓	✓	✓
BPCE SFH - SOCIETE DE FI	FR0014001MN0	Mortgages	1,100	- / Aaa / AAA / -	CQS 1	Level 1 / 7%	10%	Soft	N	n/a	✓	✓	✓
BPCE SFH - SOCIETE DE FI	FR0014002FB7	Mortgages	600	- / Aaa / AAA / -	CQS 1	Level 1 / 7%	10%	Soft	N	n/a	✓	✓	✓
BPCE SFH - SOCIETE DE FI	FR0014002FC5	Mortgages	750	- / Aaa / AAA / -	CQS 1	Level 1 / 7%	10%	Soft	N	n/a	✓	✓	✓
BPCE SFH - SOCIETE DE FI	FR0014003RH7	Mortgages	1,500	- / Aaa / AAA / -	CQS 1	Level 1 / 7%	10%	Soft	Y	Green	✓	✓	✓
BPCE SFH - SOCIETE DE FI	FR0014005E35	Mortgages	1,000	- / Aaa / AAA / -	CQS 1	Level 1 / 7%	10%	Soft	N	n/a	✓	✓	✓
BPCE SFH - SOCIETE DE FI	FR0014007QS7	Mortgages	1,000	- / Aaa / AAA / -	CQS 1	Level 1 / 7%	10%	Soft	N	n/a	✓	✓	✓

* The covered bond ratings of the rating agency Scope are not explicitly shown due to technical restrictions. In our opinion, no adjustment of the credit quality steps derived here is inferred from the covered bond programmes rated by Scope.

France	ISIN	Cover Assets	Amount outstanding (EURm)	Rating (Fitch/Moody's/S&P/DBRS/Scope*)	Credit Quality Step	LCR-Level / Haircut	Risk weight	Maturity structure	ESG	ESG type	ECB	EEA	G10
BPCE SFH - SOCIETE DE FI	FR0014007QT5	Mortgages	1,000	- / Aaa / AAA / -	CQS 1	Level 1 / 7%	10%	Soft	N	n/a	✓	✓	✓
BPCE SFH - SOCIETE DE FI	FR0014008JP6	Mortgages	1,750	- / Aaa / AAA / -	CQS 1	Level 1 / 7%	10%	Soft	N	n/a	✓	✓	✓
BPCE SFH - SOCIETE DE FI	FR0014009O88	Mortgages	1,500	- / Aaa / AAA / -	CQS 1	Level 1 / 7%	10%	Soft	N	n/a	✓	✓	✓
BPCE SFH - SOCIETE DE FI	FR001400AJW4	Mortgages	1,000	- / Aaa / AAA / -	CQS 1	Level 1 / 7%	10%	Soft	Y	Green	✓	✓	✓
BPCE SFH - SOCIETE DE FI	FR001400DGZ7	Mortgages	1,750	- / Aaa / AAA / -	CQS 1	Level 1 / 7%	10%	Hard	N	n/a	✓	✓	✓
BPCE SFH - SOCIETE DE FI	FR001400F5R1	Mortgages	1,750	- / Aaa / AAA / -	CQS 1	Level 1 / 7%	10%	Hard	N	n/a	✓	✓	✓
BPCE SFH - SOCIETE DE FI	FR001400F5S9	Mortgages	1,250	- / Aaa / AAA / -	CQS 1	Level 1 / 7%	10%	Hard	N	n/a	✓	✓	✓
BPCE SFH - SOCIETE DE FI	FR001400FWP0	Mortgages	1,500	- / Aaa / AAA / -	CQS 1	Level 1 / 7%	10%	Hard	N	n/a	✓	✓	✓
BPCE SFH - SOCIETE DE FI	FR001400H8X1	Mortgages	2,000	- / Aaa / AAA / -	CQS 1	Level 1 / 7%	10%	Soft	N	n/a	✓	✓	✓
BPCE SFH - SOCIETE DE FI	FR001400ITG9	Mortgages	750	- / Aaa / AAA / -	CQS 1	Level 1 / 7%	10%	Soft	Y	Green	✓	✓	✓
BPCE SFH - SOCIETE DE FI	FR001400KLW9	Mortgages	1,000	- / Aaa / AAA / -	CQS 1	Level 1 / 7%	10%	Soft	N	n/a	✓	✓	✓
BPCE SFH - SOCIETE DE FI	FR001400N6J6	Mortgages	1,000	- / Aaa / AAA / -	CQS 1	Level 1 / 7%	10%	Soft	N	n/a	✓	✓	✓
BPCE SFH - SOCIETE DE FI	FR001400N6K4	Mortgages	1,500	- / Aaa / AAA / -	CQS 1	Level 1 / 7%	10%	Soft	N	n/a	✓	✓	✓
BPCE SFH - SOCIETE DE FI	FR001400NXE6	Mortgages	1,500	- / Aaa / AAA / -	CQS 1	Level 1 / 7%	10%	Soft	N	n/a	✓	✓	✓
BPCE SFH - SOCIETE DE FI	FR001400NXX3	Mortgages	900	- / Aaa / AAA / -	CQS 1	Level 1 / 7%	10%	Soft	N	n/a	✓	✓	✓
BPCE SFH - SOCIETE DE FI	FR001400Q6Q8	Mortgages	1,500	- / Aaa / AAA / -	CQS 1	Level 1 / 7%	10%	Soft	Y	Green	✓	✓	✓
BPCE SFH - SOCIETE DE FI	FR001400TWB1	Mortgages	1,000	- / Aaa / AAA / -	CQS 1	Level 1 / 7%	10%	Soft	N	n/a	✓	✓	✓
CAISSE FRANCAISE DE FIN	FR0011580588	Public Loans	1,000	- / Aaa / - / AAA	CQS 1	Level 1 / 7%	10%	Hard	N	n/a	✓	✓	✓
CAISSE FRANCAISE DE FIN	FR0012467942	Public Loans	1,150	- / Aaa / - / AAA	CQS 1	Level 1 / 7%	10%	Hard	N	n/a	✓	✓	✓
CAISSE FRANCAISE DE FIN	FR0013088432	Public Loans	650	- / Aaa / - / AAA	CQS 1	Level 1 / 7%	10%	Hard	N	n/a	✓	✓	✓
CAISSE FRANCAISE DE FIN	FR0013150257	Public Loans	2,000	- / Aaa / - / AAA	CQS 1	Level 1 / 7%	10%	Hard	N	n/a	✓	✓	✓
CAISSE FRANCAISE DE FIN	FR0013221389	Public Loans	650	- / Aaa / - / AAA	CQS 1	Level 1 / 7%	10%	Hard	N	n/a	✓	✓	✓
CAISSE FRANCAISE DE FIN	FR0013230703	Public Loans	2,000	- / Aaa / - / AAA	CQS 1	Level 1 / 7%	10%	Hard	N	n/a	✓	✓	✓
CAISSE FRANCAISE DE FIN	FR0013255866	Public Loans	750	- / Aaa / - / AAA	CQS 1	Level 1 / 7%	10%	Hard	N	n/a	✓	✓	✓
CAISSE FRANCAISE DE FIN	FR0013284072	Public Loans	750	- / Aaa / - / AAA	CQS 1	Level 1 / 7%	10%	Hard	N	n/a	✓	✓	✓
CAISSE FRANCAISE DE FIN	FR0013310026	Public Loans	1,300	- / Aaa / - / AAA	CQS 1	Level 1 / 7%	10%	Hard	N	n/a	✓	✓	✓
CAISSE FRANCAISE DE FIN	FR0013310018	Public Loans	650	- / Aaa / - / AAA	CQS 1	Level 1 / 7%	10%	Hard	N	n/a	✓	✓	✓
CAISSE FRANCAISE DE FIN	FR0013330693	Public Loans	1,650	- / Aaa / - / AAA	CQS 1	Level 1 / 7%	10%	Hard	N	n/a	✓	✓	✓
CAISSE FRANCAISE DE FIN	FR0013345485	Public Loans	900	- / Aaa / - / AAA	CQS 1	Level 1 / 7%	10%	Hard	N	n/a	✓	✓	✓
CAISSE FRANCAISE DE FIN	FR0013396363	Public Loans	800	- / Aaa / - / AAA	CQS 1	Level 1 / 7%	10%	Hard	N	n/a	✓	✓	✓
CAISSE FRANCAISE DE FIN	FR0013403433	Public Loans	1,000	- / Aaa / - / AAA	CQS 1	Level 1 / 7%	10%	Hard	Y	Social	✓	✓	✓
CAISSE FRANCAISE DE FIN	FR0013459757	Public Loans	750	- / Aaa / - / AAA	CQS 1	Level 1 / 7%	10%	Hard	Y	Green	✓	✓	✓
CAISSE FRANCAISE DE FIN	FR0013482189	Public Loans	1,000	- / Aaa / - / AAA	CQS 1	Level 1 / 7%	10%	Hard	N	n/a	✓	✓	✓
CAISSE FRANCAISE DE FIN	FR0013519568	Public Loans	1,300	- / Aaa / - / AAA	CQS 1	Level 1 / 7%	10%	Hard	N	n/a	✓	✓	✓
CAISSE FRANCAISE DE FIN	FR0013535820	Public Loans	1,500	- / Aaa / - / AAA	CQS 1	Level 1 / 7%	10%	Hard	N	n/a	✓	✓	✓
CAISSE FRANCAISE DE FIN	FR00140006K7	Public Loans	900	- / Aaa / - / AAA	CQS 1	Level 1 / 7%	10%	Hard	N	n/a	✓	✓	✓

* The covered bond ratings of the rating agency Scope are not explicitly shown due to technical restrictions. In our opinion, no adjustment of the credit quality steps derived here is inferred from the covered bond programmes rated by Scope.

France	ISIN	Cover Assets	Amount outstanding (EURm)	Rating (Fitch/Moody's/S&P/DBRS/Scope*)	Credit Quality Step	LCR-Level / Haircut	Risk weight	Maturity structure	ESG	ESG type	ECB	EEA	G10
CAISSE FRANCAISE DE FIN	FR0014001GV5	Public Loans	1,500	- / Aaa / - / AAA	CQS 1	Level 1 / 7%	10%	Hard	N	n/a	✓	✓	✓
CAISSE FRANCAISE DE FIN	FR0014001ZD3	Public Loans	900	- / Aaa / - / AAA	CQS 1	Level 1 / 7%	10%	Hard	N	n/a	✓	✓	✓
CAISSE FRANCAISE DE FIN	FR00140033E4	Public Loans	750	- / Aaa / - / AAA	CQS 1	Level 1 / 7%	10%	Hard	Y	Social	✓	✓	✓
CAISSE FRANCAISE DE FIN	FR00140049N1	Public Loans	1,000	- / Aaa / - / AAA	CQS 1	Level 1 / 7%	10%	Hard	N	n/a	✓	✓	✓
CAISSE FRANCAISE DE FIN	FR0014005N34	Public Loans	750	- / Aaa / - / AAA	CQS 1	Level 1 / 7%	10%	Hard	N	n/a	✓	✓	✓
CAISSE FRANCAISE DE FIN	FR0014005MV4	Public Loans	500	- / Aaa / - / AAA	CQS 1	Level 1 / 7%	10%	Hard	N	n/a	✓	✓	✓
CAISSE FRANCAISE DE FIN	FR0014007PX9	Public Loans	750	- / Aaa / - / AAA	CQS 1	Level 1 / 7%	10%	Hard	N	n/a	✓	✓	✓
CAISSE FRANCAISE DE FIN	FR0014007PY7	Public Loans	500	- / Aaa / - / AAA	CQS 1	Level 1 / 7%	10%	Hard	N	n/a	✓	✓	✓
CAISSE FRANCAISE DE FIN	FR0014009OM1	Public Loans	1,000	- / Aaa / - / AAA	CQS 1	Level 1 / 7%	10%	Hard	N	n/a	✓	✓	✓
CAISSE FRANCAISE DE FIN	FR001400AJT0	Public Loans	500	- / Aaa / - / AAA	CQS 1	Level 1 / 7%	10%	Hard	Y	Social	✓	✓	✓
CAISSE FRANCAISE DE FIN	FR001400DAI6	Public Loans	1,000	- / Aaa / - / AAA	CQS 1	Level 1 / 7%	10%	Hard	N	n/a	✓	✓	✓
CAISSE FRANCAISE DE FIN	FR001400DXR9	Public Loans	750	- / Aaa / - / AAA	CQS 1	Level 1 / 7%	10%	Hard	Y	Green	✓	✓	✓
CAISSE FRANCAISE DE FIN	FR001400FFW1	Public Loans	1,000	- / Aaa / - / AAA	CQS 1	Level 1 / 7%	10%	Hard	N	n/a	✓	✓	✓
CAISSE FRANCAISE DE FIN	FR001400GM85	Public Loans	900	- / Aaa / - / AAA	CQS 1	Level 1 / 7%	10%	Hard	N	n/a	✓	✓	✓
CAISSE FRANCAISE DE FIN	FR001400LDK9	Public Loans	750	- / Aaa / - / AAA	CQS 1	Level 1 / 7%	10%	Hard	Y	Green	✓	✓	✓
CAISSE FRANCAISE DE FIN	FR001400M1S9	Public Loans	500	- / Aaa / - / AAA	CQS 1	Level 1 / 7%	10%	Hard	Y	Social	✓	✓	✓
CAISSE FRANCAISE DE FIN	FR001400NE03	Public Loans	1,000	- / Aaa / - / AAA	CQS 1	Level 1 / 7%	10%	Hard	N	n/a	✓	✓	✓
CAISSE FRANCAISE DE FIN	FR001400OOK0	Public Loans	500	- / Aaa / - / AAA	CQS 1	Level 1 / 7%	10%	Hard	Y	Social	✓	✓	✓
CAISSE FRANCAISE DE FIN	FR001400Q494	Public Loans	750	- / Aaa / - / AAA	CQS 1	Level 1 / 7%	10%	Hard	N	n/a	✓	✓	✓
CAISSE FRANCAISE DE FIN	FR001400SXM8	Public Loans	1,250	- / Aaa / - / AAA	CQS 1	Level 1 / 7%	10%	Hard	Y	Social	✓	✓	✓
CAISSE REFINANCE L'HABIT	FR0013451796	Mortgages	1,000	AAA / Aaa / - / -	CQS 1	Level 1 / 7%	10%	Hard	N	n/a	✓	✓	✓
CAISSE REFINANCE L'HABIT	FR0013463551	Mortgages	1,000	AAA / Aaa / - / -	CQS 1	Level 1 / 7%	10%	Hard	N	n/a	✓	✓	✓
CAISSE REFINANCE L'HABIT	FR0013480522	Mortgages	1,250	AAA / Aaa / - / -	CQS 1	Level 1 / 7%	10%	Hard	N	n/a	✓	✓	✓
CAISSE REFINANCE L'HABIT	FR0013480514	Mortgages	750	AAA / Aaa / - / -	CQS 1	Level 1 / 7%	10%	Hard	N	n/a	✓	✓	✓
CAISSE REFINANCE L'HABIT	FR0013510476	Mortgages	1,250	AAA / Aaa / - / -	CQS 1	Level 1 / 7%	10%	Hard	N	n/a	✓	✓	✓
CAISSE REFINANCE L'HABIT	FR001400D5T9	Mortgages	1,850	AAA / Aaa / - / -	CQS 1	Level 1 / 7%	10%	Soft	N	n/a	✓	✓	✓
CAISSE REFINANCE L'HABIT	FR001400F281	Mortgages	1,650	AAA / Aaa / - / -	CQS 1	Level 1 / 7%	10%	Soft	N	n/a	✓	✓	✓
CAISSE REFINANCE L'HABIT	FR001400FXU8	Mortgages	1,250	AAA / Aaa / - / -	CQS 1	Level 1 / 7%	10%	Soft	N	n/a	✓	✓	✓
CAISSE REFINANCE L'HABIT	FR001400IUM5	Mortgages	1,000	AAA / Aaa / - / -	CQS 1	Level 1 / 7%	10%	Soft	N	n/a	✓	✓	✓
CAISSE REFINANCE L'HABIT	FR001400N5A7	Mortgages	1,250	AAA / Aaa / - / -	CQS 1	Level 1 / 7%	10%	Soft	N	n/a	✓	✓	✓
CAISSE REFINANCE L'HABIT	FR001400N5C3	Mortgages	750	AAA / Aaa / - / -	CQS 1	Level 1 / 7%	10%	Soft	N	n/a	✓	✓	✓
CAISSE REFINANCE L'HABIT	FR001400OUR2	Mortgages	1,750	AAA / Aaa / - / -	CQS 1	Level 1 / 7%	10%	Soft	N	n/a	✓	✓	✓
CAISSE REFINANCE L'HABIT	FR001400QCS3	Mortgages	750	AAA / Aaa / - / -	CQS 1	Level 1 / 7%	10%	Soft	N	n/a	✓	✓	✓
CAISSE REFINANCE L'HABIT	FR001400SF15	Mortgages	1,250	AAA / Aaa / - / -	CQS 1	Level 1 / 7%	10%	Soft	N	n/a	✓	✓	✓
CCF SFH SACA	FR00140099G0	Mortgages	1,250	- / Aaa / AAA / -	CQS 1	Level 1 / 7%	10%	Soft	N	n/a	✓	✓	✓
CCF SFH SACA	FR001400AEA1	Mortgages	750	- / Aaa / AAA / -	CQS 1	Level 1 / 7%	10%	Soft	N	n/a	✓	✓	✓

* The covered bond ratings of the rating agency Scope are not explicitly shown due to technical restrictions. In our opinion, no adjustment of the credit quality steps derived here is inferred from the covered bond programmes rated by Scope.

France	ISIN	Cover Assets	Amount outstanding (EURm)	Rating (Fitch/Moody's/S&P/DBRS/Scope*)	Credit Quality Step	LCR-Level / Haircut	Risk weight	Maturity structure	ESG	ESG type	ECB	EEA	G10
CCF SFH SACA	FR001400CK81	Mortgages	500	- / Aaa / AAA / -	CQS 1	Level 1 / 7%	10%	Soft	N	n/a	✓	✓	✓
CIE FINANCEMENT FONCIER	FR0010292169	Mortgages	1,038	- / Aaa / AAA / -	CQS 1	Level 1 / 7%	10%	Hard	N	n/a	✓	✓	✓
CIE FINANCEMENT FONCIER	FR0013106630	Mortgages	1,230	- / Aaa / AAA / -	CQS 1	Level 1 / 7%	10%	Hard	N	n/a	✓	✓	✓
CIE FINANCEMENT FONCIER	FR0013160959	Mortgages	1,185	- / Aaa / AAA / -	CQS 1	Level 1 / 7%	10%	Hard	N	n/a	✓	✓	✓
CIE FINANCEMENT FONCIER	FR0013201449	Mortgages	1,075	- / Aaa / AAA / -	CQS 1	Level 1 / 7%	10%	Hard	N	n/a	✓	✓	✓
CIE FINANCEMENT FONCIER	FR0013296159	Mortgages	1,040	- / Aaa / AAA / -	CQS 1	Level 1 / 7%	10%	Hard	N	n/a	✓	✓	✓
CIE FINANCEMENT FONCIER	FR0013309549	Mortgages	1,150	- / Aaa / AAA / -	CQS 1	Level 1 / 7%	10%	Hard	N	n/a	✓	✓	✓
CIE FINANCEMENT FONCIER	FR0013336286	Mortgages	1,250	- / Aaa / AAA / -	CQS 1	Level 1 / 7%	10%	Hard	N	n/a	✓	✓	✓
CIE FINANCEMENT FONCIER	FR0013358843	Mortgages	1,175	- / Aaa / AAA / -	CQS 1	Level 1 / 7%	10%	Hard	N	n/a	✓	✓	✓
CIE FINANCEMENT FONCIER	FR0013413382	Mortgages	1,250	- / Aaa / AAA / -	CQS 1	Level 1 / 7%	10%	Hard	N	n/a	✓	✓	✓
CIE FINANCEMENT FONCIER	FR0013445129	Mortgages	1,150	- / Aaa / AAA / -	CQS 1	Level 1 / 7%	10%	Hard	N	n/a	✓	✓	✓
CIE FINANCEMENT FONCIER	FR0013536950	Mortgages	1,250	- / Aaa / AAA / -	CQS 1	Level 1 / 7%	10%	Hard	N	n/a	✓	✓	✓
CIE FINANCEMENT FONCIER	FR00140009U0	Mortgages	600	- / Aaa / AAA / -	CQS 1	Level 1 / 7%	10%	Hard	N	n/a	✓	✓	✓
CIE FINANCEMENT FONCIER	FR0014002X50	Mortgages	1,500	- / Aaa / AAA / -	CQS 1	Level 1 / 7%	10%	Hard	N	n/a	✓	✓	✓
CIE FINANCEMENT FONCIER	FR0014004165	Mortgages	1,575	- / Aaa / AAA / -	CQS 1	Level 1 / 7%	10%	Hard	N	n/a	✓	✓	✓
CIE FINANCEMENT FONCIER	FR0014006276	Mortgages	750	- / Aaa / AAA / -	CQS 1	Level 1 / 7%	10%	Hard	N	n/a	✓	✓	✓
CIE FINANCEMENT FONCIER	FR0014006268	Mortgages	1,500	- / Aaa / AAA / -	CQS 1	Level 1 / 7%	10%	Hard	N	n/a	✓	✓	✓
CIE FINANCEMENT FONCIER	FR00140095D5	Mortgages	1,250	- / Aaa / AAA / -	CQS 1	Level 1 / 7%	10%	Hard	N	n/a	✓	✓	✓
CIE FINANCEMENT FONCIER	FR001400CM22	Mortgages	1,250	- / Aaa / AAA / -	CQS 1	Level 1 / 7%	10%	Hard	N	n/a	✓	✓	✓
CIE FINANCEMENT FONCIER	FR001400DXH0	Mortgages	1,450	- / Aaa / AAA / -	CQS 1	Level 1 / 7%	10%	Hard	N	n/a	✓	✓	✓
CIE FINANCEMENT FONCIER	FR001400GI73	Mortgages	1,750	- / Aaa / AAA / -	CQS 1	Level 1 / 7%	10%	Hard	N	n/a	✓	✓	✓
CIE FINANCEMENT FONCIER	FR001400HZD5	Mortgages	1,000	- / Aaa / AAA / -	CQS 1	Level 1 / 7%	10%	Hard	N	n/a	✓	✓	✓
CIE FINANCEMENT FONCIER	FR001400L933	Mortgages	500	- / Aaa / AAA / -	CQS 1	Level 1 / 7%	10%	Hard	Y	Social	✓	✓	✓
CIE FINANCEMENT FONCIER	FR001400PMS4	Mortgages	850	- / Aaa / AAA / -	CQS 1	Level 1 / 7%	10%	Hard	N	n/a	✓	✓	✓
CIE FINANCEMENT FONCIER	FR001400PMU0	Mortgages	1,250	- / Aaa / AAA / -	CQS 1	Level 1 / 7%	10%	Hard	N	n/a	✓	✓	✓
CIE FINANCEMENT FONCIER	FR001400QHS2	Mortgages	1,500	- / Aaa / AAA / -	CQS 1	Level 1 / 7%	10%	Hard	N	n/a	✓	✓	✓
CIE FINANCEMENT FONCIER	FR001400SGD2	Mortgages	1,000	- / Aaa / AAA / -	CQS 1	Level 1 / 7%	10%	Hard	N	n/a	✓	✓	✓
CIE FINANCEMENT FONCIER	FR001400TM31	Mortgages	500	- / Aaa / AAA / -	CQS 1	Level 1 / 7%	10%	Hard	Y	Social	✓	✓	✓
CRED MUTUEL HOME LOAN SF	FR0013065117	Mortgages	1,000	AAA / Aaa / AAA / -	CQS 1	Level 1 / 7%	10%	Soft	N	n/a	✓	✓	✓
CRED MUTUEL HOME LOAN SF	FR0013282142	Mortgages	1,250	AAA / Aaa / AAA / -	CQS 1	Level 1 / 7%	10%	Soft	N	n/a	✓	✓	✓
CRED MUTUEL HOME LOAN SF	FR0013313020	Mortgages	1,000	AAA / Aaa / AAA / -	CQS 1	Level 1 / 7%	10%	Soft	N	n/a	✓	✓	✓
CRED MUTUEL HOME LOAN SF	FR0013332012	Mortgages	1,000	AAA / Aaa / AAA / -	CQS 1	Level 1 / 7%	10%	Soft	N	n/a	✓	✓	✓
CRED MUTUEL HOME LOAN SF	FR0013399102	Mortgages	1,000	AAA / Aaa / AAA / -	CQS 1	Level 1 / 7%	10%	Soft	N	n/a	✓	✓	✓
CRED MUTUEL HOME LOAN SF	FR0013478898	Mortgages	1,250	AAA / Aaa / AAA / -	CQS 1	Level 1 / 7%	10%	Soft	N	n/a	✓	✓	✓
CRED MUTUEL HOME LOAN SF	FR0014003BW0	Mortgages	1,250	AAA / Aaa / AAA / -	CQS 1	Level 1 / 7%	10%	Soft	N	n/a	✓	✓	✓
CRED MUTUEL HOME LOAN SF	FR0014004KP3	Mortgages	1,000	AAA / Aaa / AAA / -	CQS 1	Level 1 / 7%	10%	Soft	N	n/a	✓	✓	✓

* The covered bond ratings of the rating agency Scope are not explicitly shown due to technical restrictions. In our opinion, no adjustment of the credit quality steps derived here is inferred from the covered bond programmes rated by Scope.

France	ISIN	Cover Assets	Amount outstanding (EURm)	Rating (Fitch/Moody's/S&P/DBRS/Scope*)	Credit Quality Step	LCR-Level / Haircut	Risk weight	Maturity structure	ESG	ESG type	ECB	EEA	G10
CRED MUTUEL HOME LOAN SF	FR0014008RP9	Mortgages	1,500	AAA / Aaa / AAA / -	CQS 1	Level 1 / 7%	10%	Soft	N	n/a	✓	✓	✓
CRED MUTUEL HOME LOAN SF	FR0014008RV7	Mortgages	500	AAA / Aaa / AAA / -	CQS 1	Level 1 / 7%	10%	Soft	N	n/a	✓	✓	✓
CRED MUTUEL HOME LOAN SF	FR001400B9U1	Mortgages	1,250	AAA / Aaa / AAA / -	CQS 1	Level 1 / 7%	10%	Soft	N	n/a	✓	✓	✓
CRED MUTUEL HOME LOAN SF	FR001400DKT2	Mortgages	1,000	AAA / Aaa / AAA / -	CQS 1	Level 1 / 7%	10%	Soft	N	n/a	✓	✓	✓
CRED MUTUEL HOME LOAN SF	FR001400EFP8	Mortgages	1,000	AAA / Aaa / AAA / -	CQS 1	Level 1 / 7%	10%	Soft	N	n/a	✓	✓	✓
CRED MUTUEL HOME LOAN SF	FR001400FZ24	Mortgages	1,750	AAA / Aaa / AAA / -	CQS 1	Level 1 / 7%	10%	Soft	N	n/a	✓	✓	✓
CRED MUTUEL HOME LOAN SF	FR001400FZ32	Mortgages	750	AAA / Aaa / AAA / -	CQS 1	Level 1 / 7%	10%	Soft	N	n/a	✓	✓	✓
CRED MUTUEL HOME LOAN SF	FR001400HCM5	Mortgages	1,000	AAA / Aaa / AAA / -	CQS 1	Level 1 / 7%	10%	Soft	N	n/a	✓	✓	✓
CRED MUTUEL HOME LOAN SF	FR001400NIS7	Mortgages	1,500	AAA / Aaa / AAA / -	CQS 1	Level 1 / 7%	10%	Soft	N	n/a	✓	✓	✓
CRED MUTUEL HOME LOAN SF	FR001400OZH2	Mortgages	1,250	AAA / Aaa / AAA / -	CQS 1	Level 1 / 7%	10%	Soft	N	n/a	✓	✓	✓
CRED MUTUEL HOME LOAN SF	FR001400RNW0	Mortgages	1,500	AAA / Aaa / AAA / -	CQS 1	Level 1 / 7%	10%	Soft	N	n/a	✓	✓	✓
CREDIT AGRICOLE HOME LOA	FR0013141074	Mortgages	1,500	AAA / Aaa / AAA / -	CQS 1	Level 1 / 7%	10%	Soft	N	n/a	✓	✓	✓
CREDIT AGRICOLE HOME LOA	FR0013234986	Mortgages	1,000	AAA / Aaa / AAA / -	CQS 1	Level 1 / 7%	10%	Soft	N	n/a	✓	✓	✓
CREDIT AGRICOLE HOME LOA	FR0013235132	Mortgages	900	AAA / Aaa / AAA / -	CQS 1	Level 1 / 7%	10%	Soft	N	n/a	✓	✓	✓
CREDIT AGRICOLE HOME LOA	FR0013254273	Mortgages	1,500	AAA / Aaa / AAA / -	CQS 1	Level 1 / 7%	10%	Soft	N	n/a	✓	✓	✓
CREDIT AGRICOLE HOME LOA	FR0013310059	Mortgages	1,250	AAA / Aaa / AAA / -	CQS 1	Level 1 / 7%	10%	Soft	N	n/a	✓	✓	✓
CREDIT AGRICOLE HOME LOA	FR0013348802	Mortgages	1,500	AAA / Aaa / AAA / -	CQS 1	Level 1 / 7%	10%	Soft	N	n/a	✓	✓	✓
CREDIT AGRICOLE HOME LOA	FR0013368388	Mortgages	1,000	AAA / Aaa / AAA / -	CQS 1	Level 1 / 7%	10%	Soft	N	n/a	✓	✓	✓
CREDIT AGRICOLE HOME LOA	FR0013393899	Mortgages	1,500	AAA / Aaa / AAA / -	CQS 1	Level 1 / 7%	10%	Soft	N	n/a	✓	✓	✓
CREDIT AGRICOLE HOME LOA	FR0013417334	Mortgages	1,250	AAA / Aaa / AAA / -	CQS 1	Level 1 / 7%	10%	Soft	N	n/a	✓	✓	✓
CREDIT AGRICOLE HOME LOA	FR0013465010	Mortgages	1,250	AAA / Aaa / AAA / -	CQS 1	Level 1 / 7%	10%	Soft	Y	Green	✓	✓	✓
CREDIT AGRICOLE HOME LOA	FR0013487071	Mortgages	1,000	AAA / Aaa / AAA / -	CQS 1	Level 1 / 7%	10%	Soft	N	n/a	✓	✓	✓
CREDIT AGRICOLE HOME LOA	FR0014004EJ9	Mortgages	1,000	AAA / Aaa / AAA / -	CQS 1	Level 1 / 7%	10%	Soft	Y	Social	✓	✓	✓
CREDIT AGRICOLE HOME LOA	FR0014007VS7	Mortgages	1,250	AAA / Aaa / AAA / -	CQS 1	Level 1 / 7%	10%	Soft	N	n/a	✓	✓	✓
CREDIT AGRICOLE HOME LOA	FR0014009ED1	Mortgages	1,750	AAA / Aaa / AAA / -	CQS 1	Level 1 / 7%	10%	Soft	N	n/a	✓	✓	✓
CREDIT AGRICOLE HOME LOA	FR001400A071	Mortgages	1,000	AAA / Aaa / AAA / -	CQS 1	Level 1 / 7%	10%	Soft	N	n/a	✓	✓	✓
CREDIT AGRICOLE HOME LOA	FR001400CGA2	Mortgages	1,000	AAA / Aaa / AAA / -	CQS 1	Level 1 / 7%	10%	Soft	N	n/a	✓	✓	✓
CREDIT AGRICOLE HOME LOA	FR001400E1P5	Mortgages	1,000	AAA / Aaa / AAA / -	CQS 1	Level 1 / 7%	10%	Soft	N	n/a	✓	✓	✓
CREDIT AGRICOLE HOME LOA	FR001400F091	Mortgages	1,000	AAA / Aaa / AAA / -	CQS 1	Level 1 / 7%	10%	Soft	N	n/a	✓	✓	✓
CREDIT AGRICOLE HOME LOA	FR001400G5S8	Mortgages	1,000	AAA / Aaa / AAA / -	CQS 1	Level 1 / 7%	10%	Soft	N	n/a	✓	✓	✓
CREDIT AGRICOLE HOME LOA	FR001400G5Z3	Mortgages	1,000	AAA / Aaa / AAA / -	CQS 1	Level 1 / 7%	10%	Soft	N	n/a	✓	✓	✓
CREDIT AGRICOLE HOME LOA	FR001400H9H2	Mortgages	1,250	AAA / Aaa / AAA / -	CQS 1	Level 1 / 7%	10%	Soft	N	n/a	✓	✓	✓
CREDIT AGRICOLE HOME LOA	FR001400IAO3	Mortgages	1,250	AAA / Aaa / AAA / -	CQS 1	Level 1 / 7%	10%	Soft	Y	Social	✓	✓	✓
CREDIT AGRICOLE HOME LOA	FR001400KFO8	Mortgages	1,250	AAA / Aaa / AAA / -	CQS 1	Level 1 / 7%	10%	Soft	N	n/a	✓	✓	✓
CREDIT AGRICOLE HOME LOA	FR001400N327	Mortgages	1,250	AAA / Aaa / AAA / -	CQS 1	Level 1 / 7%	10%	Soft	N	n/a	✓	✓	✓
CREDIT AGRICOLE HOME LOA	FR001400M4Z8	Mortgages	1,250	AAA / Aaa / AAA / -	CQS 1	Level 1 / 7%	10%	Soft	Y	Green	✓	✓	✓

* The covered bond ratings of the rating agency Scope are not explicitly shown due to technical restrictions. In our opinion, no adjustment of the credit quality steps derived here is inferred from the covered bond programmes rated by Scope.

France	ISIN	Cover Assets	Amount outstanding (EURm)	Rating (Fitch/Moody's/S&P/DBRS/Scope*)	Credit Quality Step	LCR-Level / Haircut	Risk weight	Maturity structure	ESG	ESG type	ECB	EEA	G10
CREDIT AGRICOLE HOME LOA	FR001400OCT6	Mortgages	1,500	AAA / Aaa / AAA / -	CQS 1	Level 1 / 7%	10%	Soft	N	n/a	✓	✓	✓
CREDIT AGRICOLE HOME LOA	FR001400PBM0	Mortgages	1,250	AAA / Aaa / AAA / -	CQS 1	Level 1 / 7%	10%	Soft	N	n/a	✓	✓	✓
CREDIT AGRICOLE PUBLIC S	FR0013215688	Public Loans	500	- / Aaa / AAA / -	CQS 1	Level 1 / 7%	10%	Soft	N	n/a	✓	✓	✓
CREDIT AGRICOLE PUBLIC S	FR0013267473	Public Loans	500	- / Aaa / AAA / -	CQS 1	Level 1 / 7%	10%	Soft	N	n/a	✓	✓	✓
CREDIT AGRICOLE PUBLIC S	FR0013411600	Public Loans	750	- / Aaa / AAA / -	CQS 1	Level 1 / 7%	10%	Soft	N	n/a	✓	✓	✓
CREDIT AGRICOLE PUBLIC S	FR0013446598	Public Loans	750	- / Aaa / AAA / -	CQS 1	Level 1 / 7%	10%	Soft	N	n/a	✓	✓	✓
CREDIT AGRICOLE PUBLIC S	FR0014006WB3	Public Loans	500	- / Aaa / AAA / -	CQS 1	Level 1 / 7%	10%	Soft	N	n/a	✓	✓	✓
CREDIT AGRICOLE PUBLIC S	FR001400J4X8	Public Loans	500	- / Aaa / AAA / -	CQS 1	Level 1 / 7%	10%	Soft	N	n/a	✓	✓	✓
CREDIT AGRICOLE PUBLIC S	FR001400QN09	Public Loans	500	- / Aaa / AAA / -	CQS 1	Level 1 / 7%	10%	Soft	N	n/a	✓	✓	✓
CRELAN HOME LOAN SCF	FR0013329216	Mortgages	750	- / Aaa / - / -	CQS 1	Level 1 / 7%	10%	Soft	N	n/a	✓	✓	✓
CRELAN HOME LOAN SCF	FR0013406154	Mortgages	500	- / Aaa / - / -	CQS 1	Level 1 / 7%	10%	Soft	N	n/a	✓	✓	✓
CRELAN HOME LOAN SCF	FR0013478047	Mortgages	500	- / Aaa / - / -	CQS 1	Level 1 / 7%	10%	Soft	N	n/a	✓	✓	✓
CRELAN HOME LOAN SCF	FR0013516176	Mortgages	500	- / Aaa / - / -	CQS 1	Level 1 / 7%	10%	Soft	N	n/a	✓	✓	✓
CRELAN HOME LOAN SCF	FR0014008E08	Mortgages	500	- / Aaa / - / -	CQS 1	Level 1 / 7%	10%	Soft	N	n/a	✓	✓	✓
CRELAN HOME LOAN SCF	FR001400DNT6	Mortgages	750	- / Aaa / - / -	CQS 1	Level 1 / 7%	10%	Soft	N	n/a	✓	✓	✓
LA BANQUE POST HOME LOAN	FR0013262961	Mortgages	540	- / - / AAA / -	CQS 1	Level 1 / 7%	10%	Soft	N	n/a	✓	✓	✓
LA BANQUE POST HOME LOAN	FR0013313855	Mortgages	750	- / - / AAA / -	CQS 1	Level 1 / 7%	10%	Soft	N	n/a	✓	✓	✓
LA BANQUE POST HOME LOAN	FR0013369667	Mortgages	1,000	- / - / AAA / -	CQS 1	Level 1 / 7%	10%	Soft	N	n/a	✓	✓	✓
LA BANQUE POST HOME LOAN	FR0013399169	Mortgages	750	- / - / AAA / -	CQS 1	Level 1 / 7%	10%	Soft	N	n/a	✓	✓	✓
LA BANQUE POST HOME LOAN	FR0013454733	Mortgages	1,000	- / - / AAA / -	CQS 1	Level 1 / 7%	10%	Soft	N	n/a	✓	✓	✓
LA BANQUE POST HOME LOAN	FR0013482890	Mortgages	860	- / - / AAA / -	CQS 1	Level 1 / 7%	10%	Soft	N	n/a	✓	✓	✓
LA BANQUE POST HOME LOAN	FR001400A9N7	Mortgages	750	- / - / AAA / -	CQS 1	Level 1 / 7%	10%	Soft	Y	Green	✓	✓	✓
LA BANQUE POST HOME LOAN	FR001400DC98	Mortgages	1,000	- / - / AAA / -	CQS 1	Level 1 / 7%	10%	Soft	N	n/a	✓	✓	✓
LA BANQUE POST HOME LOAN	FR001400FD12	Mortgages	1,250	- / - / AAA / -	CQS 1	Level 1 / 7%	10%	Soft	Y	Social	✓	✓	✓
LA BANQUE POST HOME LOAN	FR001400HF42	Mortgages	1,000	- / - / AAA / -	CQS 1	Level 1 / 7%	10%	Soft	N	n/a	✓	✓	✓
LA BANQUE POST HOME LOAN	FR001400NGT9	Mortgages	750	- / - / AAA / -	CQS 1	Level 1 / 7%	10%	Soft	Y	Green	✓	✓	✓
LA BANQUE POST HOME LOAN	FR001400TR51	Mortgages	1,000	- / - / AAA / -	CQS 1	Level 1 / 7%	10%	Soft	Y	Social	✓	✓	✓
MMB SCF	FR0013447075	Mortgages	500	- / Aaa / AAA / -	CQS 1	Level 1 / 7%	10%	Soft	N	n/a	✓	✓	✓
MMB SCF	FR00140004Q9	Mortgages	500	- / Aaa / AAA / -	CQS 1	Level 1 / 7%	10%	Soft	N	n/a	✓	✓	✓
MMB SCF	FR0014005H24	Mortgages	500	- / Aaa / AAA / -	CQS 1	Level 1 / 7%	10%	Soft	N	n/a	✓	✓	✓
SOCIETE GENERALE SFH	FR0013287299	Mortgages	1,000	AAA / Aaa / - / -	CQS 1	Level 1 / 7%	10%	Soft	N	n/a	✓	✓	✓
SOCIETE GENERALE SFH	FR0013310240	Mortgages	750	AAA / Aaa / - / -	CQS 1	Level 1 / 7%	10%	Soft	N	n/a	✓	✓	✓
SOCIETE GENERALE SFH	FR0013345048	Mortgages	750	AAA / Aaa / - / -	CQS 1	Level 1 / 7%	10%	Soft	N	n/a	✓	✓	✓
SOCIETE GENERALE SFH	FR0013398831	Mortgages	1,000	AAA / Aaa / - / -	CQS 1	Level 1 / 7%	10%	Soft	N	n/a	✓	✓	✓
SOCIETE GENERALE SFH	FR0013434321	Mortgages	1,000	AAA / Aaa / - / -	CQS 1	Level 1 / 7%	10%	Soft	Y	Green	✓	✓	✓
SOCIETE GENERALE SFH	FR0013481207	Mortgages	1,000	AAA / Aaa / - / -	CQS 1	Level 1 / 7%	10%	Soft	Y	Green	✓	✓	✓

* The covered bond ratings of the rating agency Scope are not explicitly shown due to technical restrictions. In our opinion, no adjustment of the credit quality steps derived here is inferred from the covered bond programmes rated by Scope.

France	ISIN	Cover Assets	Amount outstanding (EURm)	Rating (Fitch/Moody's/S&P/DBRS/Scope*)	Credit Quality Step	LCR-Level / Haircut	Risk weight	Maturity structure	ESG	ESG type	ECB	EEA	G10
SOCIETE GENERALE SFH	FR0014001QL5	Mortgages	750	AAA / Aaa / - / -	CQS 1	Level 1 / 7%	10%	Soft	N	n/a	✓	✓	✓
SOCIETE GENERALE SFH	FR0014006713	Mortgages	750	AAA / Aaa / - / -	CQS 1	Level 1 / 7%	10%	Soft	N	n/a	✓	✓	✓
SOCIETE GENERALE SFH	FR0014006UI2	Mortgages	1,500	AAA / Aaa / - / -	CQS 1	Level 1 / 7%	10%	Soft	Y	Green	✓	✓	✓
SOCIETE GENERALE SFH	FR0014008066	Mortgages	1,250	AAA / Aaa / - / -	CQS 1	Level 1 / 7%	10%	Soft	N	n/a	✓	✓	✓
SOCIETE GENERALE SFH	FR001400A2U7	Mortgages	1,750	AAA / Aaa / - / -	CQS 1	Level 1 / 7%	10%	Soft	N	n/a	✓	✓	✓
SOCIETE GENERALE SFH	FR001400A2T9	Mortgages	1,250	AAA / Aaa / - / -	CQS 1	Level 1 / 7%	10%	Soft	N	n/a	✓	✓	✓
SOCIETE GENERALE SFH	FR001400FZ73	Mortgages	750	AAA / Aaa / - / -	CQS 1	Level 1 / 7%	10%	Soft	N	n/a	✓	✓	✓
SOCIETE GENERALE SFH	FR001400FZ81	Mortgages	1,500	AAA / Aaa / - / -	CQS 1	Level 1 / 7%	10%	Soft	N	n/a	✓	✓	✓
SOCIETE GENERALE SFH	FR001400JHR9	Mortgages	1,250	AAA / Aaa / - / -	CQS 1	Level 1 / 7%	10%	Soft	N	n/a	✓	✓	✓
SOCIETE GENERALE SFH	FR001400JHS7	Mortgages	1,250	AAA / Aaa / - / -	CQS 1	Level 1 / 7%	10%	Soft	N	n/a	✓	✓	✓
SOCIETE GENERALE SFH	FR001400NJB1	Mortgages	1,250	AAA / Aaa / - / -	CQS 1	Level 1 / 7%	10%	Soft	N	n/a	✓	✓	✓
SOCIETE GENERALE SFH	FR001400NJ99	Mortgages	1,000	AAA / Aaa / - / -	CQS 1	Level 1 / 7%	10%	Soft	N	n/a	✓	✓	✓

Germany	ISIN	Cover Assets	Amount outstanding (EURm)	Rating (Fitch/Moody's/S&P/DBRS/Scope*)	Credit Quality Step	LCR-Level / Haircut	Risk weight	Maturity structure	ESG	ESG type	ECB	EEA	G10
AAREAL BANK AG	DE000AAR0256	Mortgages	500	- / Aaa / - / -	CQS 1	Level 1 / 7%	10%	Soft	N	n/a	✓	✓	✓
AAREAL BANK AG	DE000AAR0272	Mortgages	500	- / Aaa / - / -	CQS 1	Level 1 / 7%	10%	Soft	N	n/a	✓	✓	✓
AAREAL BANK AG	DE000AAR0280	Mortgages	500	- / Aaa / - / -	CQS 1	Level 1 / 7%	10%	Soft	N	n/a	✓	✓	✓
AAREAL BANK AG	DE000AAR0306	Mortgages	500	- / Aaa / - / -	CQS 1	Level 1 / 7%	10%	Soft	N	n/a	✓	✓	✓
AAREAL BANK AG	DE000AAR0314	Mortgages	750	- / Aaa / - / -	CQS 1	Level 1 / 7%	10%	Soft	N	n/a	✓	✓	✓
AAREAL BANK AG	DE000AAR0330	Mortgages	750	- / Aaa / - / -	CQS 1	Level 1 / 7%	10%	Soft	N	n/a	✓	✓	✓
AAREAL BANK AG	DE000AAR0348	Mortgages	500	- / Aaa / - / -	CQS 1	Level 1 / 7%	10%	Soft	N	n/a	✓	✓	✓
AAREAL BANK AG	DE000AAR0363	Mortgages	750	- / Aaa / - / -	CQS 1	Level 1 / 7%	10%	Soft	N	n/a	✓	✓	✓
AAREAL BANK AG	DE000AAR0371	Mortgages	750	- / Aaa / - / -	CQS 1	Level 1 / 7%	10%	Soft	N	n/a	✓	✓	✓
AAREAL BANK AG	DE000AAR0389	Mortgages	750	- / Aaa / - / -	CQS 1	Level 1 / 7%	10%	Soft	N	n/a	✓	✓	✓
AAREAL BANK AG	DE000AAR0397	Mortgages	500	- / Aaa / - / -	CQS 1	Level 1 / 7%	10%	Soft	N	n/a	✓	✓	✓
AAREAL BANK AG	DE000AAR0405	Mortgages	500	- / Aaa / - / -	CQS 1	Level 1 / 7%	10%	Soft	N	n/a	✓	✓	✓
AAREAL BANK AG	DE000AAR0421	Mortgages	500	- / Aaa / - / -	CQS 1	Level 1 / 7%	10%	Soft	N	n/a	✓	✓	✓
AAREAL BANK AG	DE000AAR0447	Mortgages	500	- / Aaa / - / -	CQS 1	Level 1 / 7%	10%	Soft	N	n/a	✓	✓	✓
BAUSPAR.SCHWAEBISCH HALL	DE000A3H24G6	Mortgages	500	- / Aaa / - / -	CQS 1	Level 1 / 7%	10%	Soft	N	n/a	✓	✓	✓
BAUSPAR.SCHWAEBISCH HALL	DE000A3E5518	Mortgages	500	- / Aaa / - / -	CQS 1	Level 1 / 7%	10%	Soft	N	n/a	✓	✓	✓
BAUSPAR.SCHWAEBISCH HALL	DE000A3MP6H1	Mortgages	500	- / Aaa / - / -	CQS 1	Level 1 / 7%	10%	Soft	N	n/a	✓	✓	✓
BAUSPAR.SCHWAEBISCH HALL	DE000A30VH59	Mortgages	500	- / Aaa / - / -	CQS 1	Level 1 / 7%	10%	Soft	N	n/a	✓	✓	✓
BAUSPAR.SCHWAEBISCH HALL	DE000A30VN02	Mortgages	500	- / Aaa / - / -	CQS 1	Level 1 / 7%	10%	Soft	N	n/a	✓	✓	✓
BAUSPAR.SCHWAEBISCH HALL	DE000A30V8H6	Mortgages	500	- / Aaa / - / -	CQS 1	Level 1 / 7%	10%	Soft	N	n/a	✓	✓	✓
BAUSPAR.SCHWAEBISCH HALL	DE000A3824G4	Mortgages	500	- / Aaa / - / -	CQS 1	Level 1 / 7%	10%	Soft	Y	Green	✓	✓	✓

* The covered bond ratings of the rating agency Scope are not explicitly shown due to technical restrictions. In our opinion, no adjustment of the credit quality steps derived here is inferred from the covered bond programmes rated by Scope.

Germany	ISIN	Cover Assets	Amount outstanding (EURm)	Rating (Fitch/Moody's/S&P/DBRS/Scope*)	Credit Quality Step	LCR-Level / Haircut	Risk weight	Maturity structure	ESG	ESG type	ECB	EEA	G10
BAUSPAR.SCHWAEBISCH HALL	DE000A383JG8	Mortgages	500	- / Aaa / - / -	CQS 1	Level 1 / 7%	10%	Soft	Y	Green	✓	✓	✓
BAYERISCHE LANDESBANK	DE000BLB6JK8	Mortgages	500	- / Aaa / - / -	CQS 1	Level 1 / 7%	10%	Soft	N	n/a	✓	✓	✓
BAYERISCHE LANDESBANK	DE000BLB6JT9	Mortgages	500	- / Aaa / - / -	CQS 1	Level 1 / 7%	10%	Soft	Y	Green	✓	✓	✓
BAYERISCHE LANDESBANK	DE000BLB6JV5	Mortgages	500	- / Aaa / - / -	CQS 1	Level 1 / 7%	10%	Soft	N	n/a	✓	✓	✓
BAYERISCHE LANDESBANK	DE000BLB6J02	Mortgages	500	- / Aaa / - / -	CQS 1	Level 1 / 7%	10%	Soft	N	n/a	✓	✓	✓
BAYERISCHE LANDESBANK	DE000BLB6J10	Mortgages	750	- / Aaa / - / -	CQS 1	Level 1 / 7%	10%	Soft	N	n/a	✓	✓	✓
BAYERISCHE LANDESBANK	DE000BLB6JL6	Mortgages	500	- / Aaa / - / -	CQS 1	Level 1 / 7%	10%	Soft	N	n/a	✓	✓	✓
BAYERISCHE LANDESBANK	DE000BLB6JM4	Mortgages	500	- / Aaa / - / -	CQS 1	Level 1 / 7%	10%	Soft	N	n/a	✓	✓	✓
BAYERISCHE LANDESBANK	XS2782184902	Mortgages	500	- / Aaa / - / -	CQS 1	Level 1 / 7%	10%	Soft	N	n/a	✓	✓	✓
BAYERISCHE LANDESBANK	DE000BLB6JB7	Public Loans	500	- / Aaa / - / -	CQS 1	Level 1 / 7%	10%	Soft	N	n/a	✓	✓	✓
BAYERISCHE LANDESBANK	DE000BLB6JC5	Public Loans	650	- / Aaa / - / -	CQS 1	Level 1 / 7%	10%	Soft	N	n/a	✓	✓	✓
BAYERISCHE LANDESBANK	DE000BLB6JE1	Public Loans	500	- / Aaa / - / -	CQS 1	Level 1 / 7%	10%	Soft	N	n/a	✓	✓	✓
BAYERISCHE LANDESBANK	DE000BLB6JH4	Public Loans	500	- / Aaa / - / -	CQS 1	Level 1 / 7%	10%	Soft	N	n/a	✓	✓	✓
BAYERISCHE LANDESBANK	DE000BLB6JP7	Public Loans	500	- / Aaa / - / -	CQS 1	Level 1 / 7%	10%	Soft	Y	Green	✓	✓	✓
BAYERISCHE LANDESBANK	DE000BLB6JQ5	Public Loans	500	- / Aaa / - / -	CQS 1	Level 1 / 7%	10%	Soft	N	n/a	✓	✓	✓
BAYERISCHE LANDESBANK	DE000BLB6JR3	Public Loans	500	- / Aaa / - / -	CQS 1	Level 1 / 7%	10%	Soft	N	n/a	✓	✓	✓
BERLIN HYP AG	DE000BHY0MX7	Mortgages	500	- / Aaa / - / -	CQS 1	Level 1 / 7%	10%	Soft	N	n/a	✓	✓	✓
BERLIN HYP AG	DE000BHY0BQ4	Mortgages	500	- / Aaa / - / -	CQS 1	Level 1 / 7%	10%	Soft	N	n/a	✓	✓	✓
BERLIN HYP AG	DE000BHY0GL4	Mortgages	500	- / Aaa / - / -	CQS 1	Level 1 / 7%	10%	Soft	Y	Green	✓	✓	✓
BERLIN HYP AG	DE000BHY0B14	Mortgages	500	- / Aaa / - / -	CQS 1	Level 1 / 7%	10%	Soft	N	n/a	✓	✓	✓
BERLIN HYP AG	DE000BHY0GD1	Mortgages	500	- / Aaa / - / -	CQS 1	Level 1 / 7%	10%	Soft	Y	Green	✓	✓	✓
BERLIN HYP AG	DE000BHY0GX9	Mortgages	500	- / Aaa / - / -	CQS 1	Level 1 / 7%	10%	Soft	Y	Green	✓	✓	✓
BERLIN HYP AG	DE000BHY0C47	Mortgages	500	- / Aaa / - / -	CQS 1	Level 1 / 7%	10%	Soft	N	n/a	✓	✓	✓
BERLIN HYP AG	DE000BHY0GE9	Mortgages	500	- / Aaa / - / -	CQS 1	Level 1 / 7%	10%	Soft	Y	Green	✓	✓	✓
BERLIN HYP AG	DE000BHY0HW9	Mortgages	750	- / Aaa / - / -	CQS 1	Level 1 / 7%	10%	Soft	N	n/a	✓	✓	✓
BERLIN HYP AG	DE000BHY0HZ2	Mortgages	750	- / Aaa / - / -	CQS 1	Level 1 / 7%	10%	Soft	N	n/a	✓	✓	✓
BERLIN HYP AG	DE000BHY0H34	Mortgages	1,000	- / Aaa / - / -	CQS 1	Level 1 / 7%	10%	Soft	N	n/a	✓	✓	✓
BERLIN HYP AG	DE000BHY0JD5	Mortgages	500	- / Aaa / - / -	CQS 1	Level 1 / 7%	10%	Soft	N	n/a	✓	✓	✓
BERLIN HYP AG	DE000BHY0SB0	Mortgages	750	- / Aaa / - / -	CQS 1	Level 1 / 7%	10%	Soft	Y	Social	✓	✓	✓
BERLIN HYP AG	DE000BHY0JW5	Mortgages	750	- / Aaa / - / -	CQS 1	Level 1 / 7%	10%	Soft	N	n/a	✓	✓	✓
BERLIN HYP AG	DE000BHY0SP0	Mortgages	625	- / Aaa / - / -	CQS 1	Level 1 / 7%	10%	Soft	Y	Social	✓	✓	✓
BERLIN HYP AG	DE000BHY0GM2	Mortgages	750	- / Aaa / - / -	CQS 1	Level 1 / 7%	10%	Soft	Y	Green	✓	✓	✓
BERLIN HYP AG	DE000BHY0JY1	Mortgages	750	- / Aaa / - / -	CQS 1	Level 1 / 7%	10%	Soft	N	n/a	✓	✓	✓
BERLIN HYP AG	DE000BHY0GT7	Mortgages	750	- / Aaa / - / -	CQS 1	Level 1 / 7%	10%	Soft	Y	Green	✓	✓	✓
BERLIN HYP AG	DE000BHY0SC8	Mortgages	500	- / Aaa / - / -	CQS 1	Level 1 / 7%	10%	Soft	Y	Social	✓	✓	✓
BERLIN HYP AG	DE000BHY0GY7	Mortgages	500	- / Aaa / - / -	CQS 1	Level 1 / 7%	10%	Soft	Y	Green	✓	✓	✓

* The covered bond ratings of the rating agency Scope are not explicitly shown due to technical restrictions. In our opinion, no adjustment of the credit quality steps derived here is inferred from the covered bond programmes rated by Scope.

Germany	ISIN	Cover Assets	Amount outstanding (EURm)	Rating (Fitch/Moody's/S&P/DBRS/Scope*)	Credit Quality Step	LCR-Level / Haircut	Risk weight	Maturity structure	ESG	ESG type	ECB	EEA	G10
BERLIN HYP AG	DE000BHY0SD6	Mortgages	500	- / Aaa / - / -	CQS 1	Level 1 / 7%	10%	Soft	Y	Social	✓	✓	✓
COMMERZBANK AG	DE000CZ40LG8	Mortgages	1,000	- / Aaa / - / -	CQS 1	Level 1 / 7%	10%	Soft	N	n/a	✓	✓	✓
COMMERZBANK AG	DE000CZ40LQ7	Mortgages	750	- / Aaa / - / -	CQS 1	Level 1 / 7%	10%	Soft	N	n/a	✓	✓	✓
COMMERZBANK AG	DE000CZ40MB7	Mortgages	1,000	- / Aaa / - / -	CQS 1	Level 1 / 7%	10%	Soft	N	n/a	✓	✓	✓
COMMERZBANK AG	DE000CZ40MQ5	Mortgages	750	- / Aaa / - / -	CQS 1	Level 1 / 7%	10%	Soft	N	n/a	✓	✓	✓
COMMERZBANK AG	DE000CZ40NP5	Mortgages	1,000	- / Aaa / - / -	CQS 1	Level 1 / 7%	10%	Soft	N	n/a	✓	✓	✓
COMMERZBANK AG	DE000CZ45VF8	Mortgages	500	- / Aaa / - / -	CQS 1	Level 1 / 7%	10%	Soft	N	n/a	✓	✓	✓
COMMERZBANK AG	DE000CZ45VS1	Mortgages	1,250	- / Aaa / - / -	CQS 1	Level 1 / 7%	10%	Soft	N	n/a	✓	✓	✓
COMMERZBANK AG	DE000CZ45WY7	Mortgages	1,000	- / Aaa / - / -	CQS 1	Level 1 / 7%	10%	Soft	N	n/a	✓	✓	✓
COMMERZBANK AG	DE000CZ45W16	Mortgages	1,500	- / Aaa / - / -	CQS 1	Level 1 / 7%	10%	Soft	N	n/a	✓	✓	✓
COMMERZBANK AG	DE000CZ45W99	Mortgages	1,000	- / Aaa / - / -	CQS 1	Level 1 / 7%	10%	Soft	N	n/a	✓	✓	✓
COMMERZBANK AG	DE000CZ43ZF4	Mortgages	750	- / Aaa / - / -	CQS 1	Level 1 / 7%	10%	Soft	N	n/a	✓	✓	✓
COMMERZBANK AG	DE000CZ43ZJ6	Mortgages	1,000	- / Aaa / - / -	CQS 1	Level 1 / 7%	10%	Soft	N	n/a	✓	✓	✓
COMMERZBANK AG	DE000CZ43ZS7	Mortgages	1,000	- / Aaa / - / -	CQS 1	Level 1 / 7%	10%	Soft	N	n/a	✓	✓	✓
COMMERZBANK AG	DE000CZ43ZX7	Mortgages	1,250	- / Aaa / - / -	CQS 1	Level 1 / 7%	10%	Soft	N	n/a	✓	✓	✓
COMMERZBANK AG	DE000CZ43Z23	Mortgages	1,000	- / Aaa / - / -	CQS 1	Level 1 / 7%	10%	Soft	N	n/a	✓	✓	✓
COMMERZBANK AG	DE000CZ43Z72	Mortgages	1,250	- / Aaa / - / -	CQS 1	Level 1 / 7%	10%	Soft	N	n/a	✓	✓	✓
COMMERZBANK AG	DE000CZ439P6	Mortgages	1,150	- / Aaa / - / -	CQS 1	Level 1 / 7%	10%	Soft	N	n/a	✓	✓	✓
COMMERZBANK AG	DE000CZ45YB1	Mortgages	1,000	- / Aaa / - / -	CQS 1	Level 1 / 7%	10%	Soft	N	n/a	✓	✓	✓
COMMERZBANK AG	DE000CZ45YX5	Mortgages	1,250	- / Aaa / - / -	CQS 1	Level 1 / 7%	10%	Soft	N	n/a	✓	✓	✓
COMMERZBANK AG	DE000CZ43Z15	Public Loans	750	- / Aaa / - / -	CQS 1	Level 1 / 7%	10%	Soft	N	n/a	✓	✓	✓
COMMERZBANK AG	DE000CZ439N1	Public Loans	1,000	- / Aaa / - / -	CQS 1	Level 1 / 7%	10%	Soft	N	n/a	✓	✓	✓
DEUT APOTHEKE AERZTEBANK	XS1693853944	Mortgages	500	- / - / AAA / -	CQS 1	Level 1 / 7%	10%	Soft	N	n/a	✓	✓	✓
DEUT APOTHEKE AERZTEBANK	XS1852086211	Mortgages	500	- / - / AAA / -	CQS 1	Level 1 / 7%	10%	Soft	N	n/a	✓	✓	✓
DEUT APOTHEKE AERZTEBANK	XS2079126467	Mortgages	500	- / - / AAA / -	CQS 1	Level 1 / 7%	10%	Soft	N	n/a	✓	✓	✓
DEUT APOTHEKE AERZTEBANK	XS2113737097	Mortgages	500	- / - / AAA / -	CQS 1	Level 1 / 7%	10%	Soft	N	n/a	✓	✓	✓
DEUT PFANDBRIEFBANK AG	DE000A2GSLV6	Mortgages	750	- / Aa1 / - / -	CQS 1	Level 1 / 7%	10%	Soft	N	n/a	✓	✓	✓
DEUT PFANDBRIEFBANK AG	DE000A2YNVY3	Mortgages	750	- / Aa1 / - / -	CQS 1	Level 1 / 7%	10%	Soft	N	n/a	✓	✓	✓
DEUT PFANDBRIEFBANK AG	DE000A3E5K73	Mortgages	750	- / Aa1 / - / -	CQS 1	Level 1 / 7%	10%	Soft	N	n/a	✓	✓	✓
DEUT PFANDBRIEFBANK AG	DE000A3T0YH5	Mortgages	750	- / Aa1 / - / -	CQS 1	Level 1 / 7%	10%	Soft	N	n/a	✓	✓	✓
DEUT PFANDBRIEFBANK AG	DE000A30WFU3	Mortgages	750	- / Aa1 / - / -	CQS 1	Level 1 / 7%	10%	Soft	N	n/a	✓	✓	✓
DEUT PFANDBRIEFBANK AG	DE000A30WF27	Mortgages	650	- / Aa1 / - / -	CQS 1	Level 1 / 7%	10%	Soft	N	n/a	✓	✓	✓
DEUT PFANDBRIEFBANK AG	DE000A30WF68	Mortgages	550	- / Aa1 / - / -	CQS 1	Level 1 / 7%	10%	Soft	N	n/a	✓	✓	✓
DEUT PFANDBRIEFBANK AG	DE000A31RJS7	Mortgages	550	- / Aa1 / - / -	CQS 1	Level 1 / 7%	10%	Soft	N	n/a	✓	✓	✓
DEUT PFANDBRIEFBANK AG	DE000A31RJZ2	Mortgages	750	- / Aa1 / - / -	CQS 1	Level 1 / 7%	10%	Soft	N	n/a	✓	✓	✓
DEUT PFANDBRIEFBANK AG	DE000A31RJ45	Mortgages	600	- / Aa1 / - / -	CQS 1	Level 1 / 7%	10%	Soft	N	n/a	✓	✓	✓

* The covered bond ratings of the rating agency Scope are not explicitly shown due to technical restrictions. In our opinion, no adjustment of the credit quality steps derived here is inferred from the covered bond programmes rated by Scope.

Germany	ISIN	Cover Assets	Amount outstanding (EURm)	Rating (Fitch/Moody's/S&P/DBRS/Scope*)	Credit Quality Step	LCR-Level / Haircut	Risk weight	Maturity structure	ESG	ESG type	ECB	EEA	G10
DEUT PFANDBRIEFBANK AG	DE000A1R06C5	Public Loans	646	- / Aa1 / - / -	CQS 1	Level 1 / 7%	10%	Soft	N	n/a	✓	✓	✓
DEUT PFANDBRIEFBANK AG	DE000A13SWG1	Public Loans	796	- / Aa1 / - / -	CQS 1	Level 1 / 7%	10%	Soft	N	n/a	✓	✓	✓
DEUTSCHE BANK AG	DE000DL19S01	Mortgages	750	- / Aaa / - / -	CQS 1	Level 1 / 7%	10%	Soft	N	n/a	✓	✓	✓
DEUTSCHE BANK AG	DE000DL19S68	Mortgages	500	- / Aaa / - / -	CQS 1	Level 1 / 7%	10%	Soft	N	n/a	✓	✓	✓
DEUTSCHE BANK AG	DE000DL19UM9	Mortgages	500	- / Aaa / - / -	CQS 1	Level 1 / 7%	10%	Soft	N	n/a	✓	✓	✓
DEUTSCHE BANK AG	DE000DL19UW8	Mortgages	500	- / Aaa / - / -	CQS 1	Level 1 / 7%	10%	Soft	N	n/a	✓	✓	✓
DEUTSCHE BANK AG	DE000DL19U31	Mortgages	500	- / Aaa / - / -	CQS 1	Level 1 / 7%	10%	Soft	N	n/a	✓	✓	✓
DEUTSCHE BANK AG	DE000DL19WV6	Mortgages	1,000	- / Aaa / - / -	CQS 1	Level 1 / 7%	10%	Soft	N	n/a	✓	✓	✓
DEUTSCHE BANK AG	DE000A30VPC2	Mortgages	1,000	- / Aaa / - / -	CQS 1	Level 1 / 7%	10%	Soft	N	n/a	✓	✓	✓
DEUTSCHE BANK AG	DE000A30VPD0	Mortgages	500	- / Aaa / - / -	CQS 1	Level 1 / 7%	10%	Soft	N	n/a	✓	✓	✓
DEUTSCHE BANK AG	DE000A30V2V0	Mortgages	1,000	- / Aaa / - / -	CQS 1	Level 1 / 7%	10%	Soft	N	n/a	✓	✓	✓
DEUTSCHE BANK AG	DE000A30VG92	Mortgages	500	- / Aaa / - / -	CQS 1	Level 1 / 7%	10%	Soft	N	n/a	✓	✓	✓
DEUTSCHE BANK AG	DE000A30V5F6	Mortgages	500	- / Aaa / - / -	CQS 1	Level 1 / 7%	10%	Soft	N	n/a	✓	✓	✓
DEUTSCHE BANK AG	DE000A351NR4	Mortgages	500	- / Aaa / - / -	CQS 1	Level 1 / 7%	10%	Soft	N	n/a	✓	✓	✓
DEUTSCHE BANK AG	DE000A351TP5	Mortgages	500	- / Aaa / - / -	CQS 1	Level 1 / 7%	10%	Soft	N	n/a	✓	✓	✓
DEUTSCHE BANK AG	DE000A352BT3	Mortgages	500	- / Aaa / - / -	CQS 1	Level 1 / 7%	10%	Soft	N	n/a	✓	✓	✓
DEUTSCHE KREDITBANK AG	DE000DKB0432	Mortgages	500	- / Aaa / - / -	CQS 1	Level 1 / 7%	10%	Soft	N	n/a	✓	✓	✓
DEUTSCHE KREDITBANK AG	DE000SCB0039	Mortgages	500	- / Aaa / - / -	CQS 1	Level 1 / 7%	10%	Soft	Y	Social	✓	✓	✓
DEUTSCHE KREDITBANK AG	DE000SCB0047	Mortgages	750	- / Aaa / - / -	CQS 1	Level 1 / 7%	10%	Soft	Y	Social	✓	✓	✓
DEUTSCHE KREDITBANK AG	DE000SCB0054	Mortgages	500	- / Aaa / - / -	CQS 1	Level 1 / 7%	10%	Soft	Y	Social	✓	✓	✓
DEUTSCHE KREDITBANK AG	DE000SCB0062	Mortgages	500	- / Aaa / - / -	CQS 1	Level 1 / 7%	10%	Soft	Y	Social	✓	✓	✓
DEUTSCHE KREDITBANK AG	DE000SCB0005	Public Loans	600	- / Aaa / - / -	CQS 1	Level 1 / 7%	10%	Soft	Y	Social	✓	✓	✓
DEUTSCHE KREDITBANK AG	DE000SCB0021	Public Loans	500	- / Aaa / - / -	CQS 1	Level 1 / 7%	10%	Soft	Y	Social	✓	✓	✓
DEUTSCHE KREDITBANK AG	DE000DKB0531	Public Loans	500	- / Aaa / - / -	CQS 1	Level 1 / 7%	10%	Soft	N	n/a	✓	✓	✓
DZ HYP AG	DE000A13SR38	Mortgages	750	- / Aaa / AAA / -	CQS 1	Level 1 / 7%	10%	Soft	N	n/a	✓	✓	✓
DZ HYP AG	DE000A14J5J4	Mortgages	750	- / Aaa / AAA / -	CQS 1	Level 1 / 7%	10%	Soft	N	n/a	✓	✓	✓
DZ HYP AG	DE000A161ZQ3	Mortgages	875	- / Aaa / AAA / -	CQS 1	Level 1 / 7%	10%	Soft	N	n/a	✓	✓	✓
DZ HYP AG	DE000A14KKM9	Mortgages	500	- / Aaa / AAA / -	CQS 1	Level 1 / 7%	10%	Soft	N	n/a	✓	✓	✓
DZ HYP AG	DE000A2AAX45	Mortgages	500	- / Aaa / AAA / -	CQS 1	Level 1 / 7%	10%	Soft	N	n/a	✓	✓	✓
DZ HYP AG	DE000A2AAW53	Mortgages	500	- / Aaa / AAA / -	CQS 1	Level 1 / 7%	10%	Soft	N	n/a	✓	✓	✓
DZ HYP AG	DE000A2BPJ78	Mortgages	500	- / Aaa / AAA / -	CQS 1	Level 1 / 7%	10%	Soft	N	n/a	✓	✓	✓
DZ HYP AG	DE000A2BPJ86	Mortgages	750	- / Aaa / AAA / -	CQS 1	Level 1 / 7%	10%	Soft	N	n/a	✓	✓	✓
DZ HYP AG	DE000A2GSP56	Mortgages	750	- / Aaa / AAA / -	CQS 1	Level 1 / 7%	10%	Soft	N	n/a	✓	✓	✓
DZ HYP AG	DE000A2G9HD6	Mortgages	500	- / Aaa / AAA / -	CQS 1	Level 1 / 7%	10%	Soft	N	n/a	✓	✓	✓
DZ HYP AG	DE000A2G9HL9	Mortgages	750	- / Aaa / AAA / -	CQS 1	Level 1 / 7%	10%	Soft	N	n/a	✓	✓	✓
DZ HYP AG	DE000A2NB841	Mortgages	500	- / Aaa / AAA / -	CQS 1	Level 1 / 7%	10%	Soft	N	n/a	✓	✓	✓

* The covered bond ratings of the rating agency Scope are not explicitly shown due to technical restrictions. In our opinion, no adjustment of the credit quality steps derived here is inferred from the covered bond programmes rated by Scope.

Germany	ISIN	Cover Assets	Amount outstanding (EURm)	Rating (Fitch/Moody's/S&P/DBRS/Scope*)	Credit Quality Step	LCR-Level / Haircut	Risk weight	Maturity structure	ESG	ESG type	ECB	EEA	G10
DZ HYP AG	DE000A2TSDV6	Mortgages	750	- / Aaa / AAA / -	CQS 1	Level 1 / 7%	10%	Soft	N	n/a	✓	✓	✓
DZ HYP AG	DE000A2TSDW4	Mortgages	1,000	- / Aaa / AAA / -	CQS 1	Level 1 / 7%	10%	Soft	N	n/a	✓	✓	✓
DZ HYP AG	DE000A2TSDY0	Mortgages	500	- / Aaa / AAA / -	CQS 1	Level 1 / 7%	10%	Soft	N	n/a	✓	✓	✓
DZ HYP AG	DE000A289PA7	Mortgages	1,000	- / Aaa / AAA / -	CQS 1	Level 1 / 7%	10%	Soft	N	n/a	✓	✓	✓
DZ HYP AG	DE000A289PH2	Mortgages	1,000	- / Aaa / AAA / -	CQS 1	Level 1 / 7%	10%	Soft	N	n/a	✓	✓	✓
DZ HYP AG	DE000A3H2TK9	Mortgages	1,000	- / Aaa / AAA / -	CQS 1	Level 1 / 7%	10%	Soft	N	n/a	✓	✓	✓
DZ HYP AG	DE000A3H2TQ6	Mortgages	1,000	- / Aaa / AAA / -	CQS 1	Level 1 / 7%	10%	Soft	N	n/a	✓	✓	✓
DZ HYP AG	DE000A3E5UU2	Mortgages	750	- / Aaa / AAA / -	CQS 1	Level 1 / 7%	10%	Soft	N	n/a	✓	✓	✓
DZ HYP AG	DE000A3E5UY4	Mortgages	1,000	- / Aaa / AAA / -	CQS 1	Level 1 / 7%	10%	Soft	N	n/a	✓	✓	✓
DZ HYP AG	DE000A3MP619	Mortgages	1,000	- / Aaa / AAA / -	CQS 1	Level 1 / 7%	10%	Soft	Y	Green	✓	✓	✓
DZ HYP AG	DE000A3MP684	Mortgages	750	- / Aaa / AAA / -	CQS 1	Level 1 / 7%	10%	Soft	N	n/a	✓	✓	✓
DZ HYP AG	DE000A3MQUX3	Mortgages	850	- / Aaa / AAA / -	CQS 1	Level 1 / 7%	10%	Soft	N	n/a	✓	✓	✓
DZ HYP AG	DE000A3MQUY1	Mortgages	500	- / Aaa / AAA / -	CQS 1	Level 1 / 7%	10%	Soft	Y	Green	✓	✓	✓
DZ HYP AG	DE000A3MQUZ8	Mortgages	750	- / Aaa / AAA / -	CQS 1	Level 1 / 7%	10%	Soft	Y	Green	✓	✓	✓
DZ HYP AG	DE000A3MQU45	Mortgages	1,000	- / Aaa / AAA / -	CQS 1	Level 1 / 7%	10%	Soft	N	n/a	✓	✓	✓
DZ HYP AG	DE000A351XK8	Mortgages	500	- / Aaa / AAA / -	CQS 1	Level 1 / 7%	10%	Soft	Y	Green	✓	✓	✓
DZ HYP AG	DE000A351XS1	Mortgages	500	- / Aaa / AAA / -	CQS 1	Level 1 / 7%	10%	Soft	N	n/a	✓	✓	✓
DZ HYP AG	DE000A351XU7	Mortgages	750	- / Aaa / AAA / -	CQS 1	Level 1 / 7%	10%	Soft	N	n/a	✓	✓	✓
DZ HYP AG	DE000A351XV5	Mortgages	650	- / Aaa / AAA / -	CQS 1	Level 1 / 7%	10%	Soft	N	n/a	✓	✓	✓
DZ HYP AG	DE000A351XW3	Mortgages	725	- / Aaa / AAA / -	CQS 1	Level 1 / 7%	10%	Soft	N	n/a	✓	✓	✓
DZ HYP AG	DE000A351XY9	Mortgages	500	- / Aaa / AAA / -	CQS 1	Level 1 / 7%	10%	Soft	Y	Green	✓	✓	✓
DZ HYP AG	DE000A2TSDZ7	Public Loans	500	- / Aaa / AAA / -	CQS 1	Level 1 / 7%	10%	Soft	N	n/a	✓	✓	✓
DZ HYP AG	DE000A3MQU11	Public Loans	500	- / Aaa / AAA / -	CQS 1	Level 1 / 7%	10%	Soft	N	n/a	✓	✓	✓
DZ HYP AG	DE000A3825M9	Public Loans	500	- / Aaa / AAA / -	CQS 1	Level 1 / 7%	10%	Soft	N	n/a	✓	✓	✓
HAMBURG COMMERCIAL BANK	DE000HCB0BC0	Mortgages	500	- / Aaa / - / -	CQS 1	Level 1 / 7%	10%	Soft	N	n/a	✓	✓	✓
HAMBURG COMMERCIAL BANK	DE000HCB0BH9	Mortgages	500	- / Aaa / - / -	CQS 1	Level 1 / 7%	10%	Soft	N	n/a	✓	✓	✓
HAMBURG COMMERCIAL BANK	DE000HCB0BN7	Mortgages	500	- / Aaa / - / -	CQS 1	Level 1 / 7%	10%	Soft	N	n/a	✓	✓	✓
HAMBURG COMMERCIAL BANK	DE000HCB0BP2	Mortgages	500	- / Aaa / - / -	CQS 1	Level 1 / 7%	10%	Soft	N	n/a	✓	✓	✓
HAMBURG COMMERCIAL BANK	DE000HCB0BV0	Mortgages	500	- / Aaa / - / -	CQS 1	Level 1 / 7%	10%	Soft	N	n/a	✓	✓	✓
HAMBURG COMMERCIAL BANK	DE000HCB0B28	Mortgages	500	- / Aa3 / - / -	CQS 1	Level 1 / 7%	10%	Soft	N	n/a	✓	✓	✓
HAMBURGER SPARKASSE	DE000A254YU1	Mortgages	500	- / Aaa / - / -	CQS 1	Level 1 / 7%	10%	Soft	N	n/a	✓	✓	✓
HAMBURGER SPARKASSE	DE000A3MQYT3	Mortgages	500	- / Aaa / - / -	CQS 1	Level 1 / 7%	10%	Soft	N	n/a	✓	✓	✓
HAMBURGER SPARKASSE	DE000A351M80	Mortgages	500	- / Aaa / - / -	CQS 1	Level 1 / 7%	10%	Soft	N	n/a	✓	✓	✓
HAMBURGER SPARKASSE	DE000A351256	Mortgages	500	- / Aaa / - / -	CQS 1	Level 1 / 7%	10%	Soft	N	n/a	✓	✓	✓
ING-DIBA AG	DE000A1KRJQ6	Mortgages	500	- / Aaa / - / -	CQS 1	Level 1 / 7%	10%	Soft	N	n/a	✓	✓	✓
ING-DIBA AG	DE000A1KRJS2	Mortgages	500	- / Aaa / - / -	CQS 1	Level 1 / 7%	10%	Soft	N	n/a	✓	✓	✓

* The covered bond ratings of the rating agency Scope are not explicitly shown due to technical restrictions. In our opinion, no adjustment of the credit quality steps derived here is inferred from the covered bond programmes rated by Scope.

Germany	ISIN	Cover Assets	Amount outstanding (EURm)	Rating (Fitch/Moody's/S&P/DBRS/Scope*)	Credit Quality Step	LCR-Level / Haircut	Risk weight	Maturity structure	ESG	ESG type	ECB	EEA	G10
ING-DIBA AG	DE000A1KRJT0	Mortgages	750	- / Aaa / - / -	CQS 1	Level 1 / 7%	10%	Soft	N	n/a	✓	✓	✓
ING-DIBA AG	DE000A1KRJU8	Mortgages	750	- / Aaa / - / -	CQS 1	Level 1 / 7%	10%	Soft	N	n/a	✓	✓	✓
ING-DIBA AG	DE000A1KRJV6	Mortgages	1,250	- / Aaa / - / -	CQS 1	Level 1 / 7%	10%	Soft	Y	Green	✓	✓	✓
ING-DIBA AG	DE000A2YNWA1	Mortgages	1,500	- / Aaa / - / -	CQS 1	Level 1 / 7%	10%	Soft	N	n/a	✓	✓	✓
ING-DIBA AG	DE000A2YNWB9	Mortgages	1,000	- / Aaa / - / -	CQS 1	Level 1 / 7%	10%	Soft	Y	Green	✓	✓	✓
ING-DIBA AG	DE000A2YNWC7	Mortgages	1,000	- / Aaa / - / -	CQS 1	Level 1 / 7%	10%	Soft	Y	Green	✓	✓	✓
ING-DIBA AG	DE000A2YNWE3	Mortgages	1,000	- / Aaa / - / -	CQS 1	Level 1 / 7%	10%	Soft	N	n/a	✓	✓	✓
LANDBK HESSEN-THUERINGEN	XS2433126807	Mortgages	1,250	- / Aaa / - / -	CQS 1	Level 1 / 7%	10%	Soft	N	n/a	✓	✓	✓
LANDBK HESSEN-THUERINGEN	XS2536375368	Mortgages	1,500	- / Aaa / - / -	CQS 1	Level 1 / 7%	10%	Soft	N	n/a	✓	✓	✓
LANDBK HESSEN-THUERINGEN	XS2433240764	Mortgages	1,000	- / Aaa / - / -	CQS 1	Level 1 / 7%	10%	Soft	N	n/a	✓	✓	✓
LANDBK HESSEN-THUERINGEN	XS1548773982	Public Loans	1,000	- / Aaa / - / -	CQS 1	Level 1 / 7%	10%	Soft	N	n/a	✓	✓	✓
LANDBK HESSEN-THUERINGEN	XS1793273092	Public Loans	1,000	- / Aaa / - / -	CQS 1	Level 1 / 7%	10%	Soft	N	n/a	✓	✓	✓
LANDBK HESSEN-THUERINGEN	XS1936186425	Public Loans	750	- / Aaa / - / -	CQS 1	Level 1 / 7%	10%	Soft	N	n/a	✓	✓	✓
LANDBK HESSEN-THUERINGEN	XS2056484889	Public Loans	1,000	- / Aaa / - / -	CQS 1	Level 1 / 7%	10%	Soft	N	n/a	✓	✓	✓
LANDBK HESSEN-THUERINGEN	XS2106579670	Public Loans	750	- / Aaa / - / -	CQS 1	Level 1 / 7%	10%	Soft	N	n/a	✓	✓	✓
LANDBK HESSEN-THUERINGEN	XS2673929944	Public Loans	1,000	- / Aaa / - / -	CQS 1	Level 1 / 7%	10%	Soft	N	n/a	✓	✓	✓
LANDBK HESSEN-THUERINGEN	XS2711420054	Public Loans	750	- / Aaa / - / -	CQS 1	Level 1 / 7%	10%	Soft	N	n/a	✓	✓	✓
LANDBK HESSEN-THUERINGEN	XS2760109053	Public Loans	1,250	- / Aaa / - / -	CQS 1	Level 1 / 7%	10%	Soft	N	n/a	✓	✓	✓
LB BADEN-WUERTTEMBERG	DE000LB125N3	Mortgages	750	- / Aaa / - / -	CQS 1	Level 1 / 7%	10%	Soft	N	n/a	✓	✓	✓
LB BADEN-WUERTTEMBERG	DE000LB2CQG8	Mortgages	750	- / Aaa / - / -	CQS 1	Level 1 / 7%	10%	Soft	N	n/a	✓	✓	✓
LB BADEN-WUERTTEMBERG	DE000LB2ZSM3	Mortgages	750	- / Aaa / - / -	CQS 1	Level 1 / 7%	10%	Soft	N	n/a	✓	✓	✓
LB BADEN-WUERTTEMBERG	DE000LB2ZV93	Mortgages	1,000	- / Aaa / - / -	CQS 1	Level 1 / 7%	10%	Soft	Y	Green	✓	✓	✓
LB BADEN-WUERTTEMBERG	DE000LB384E5	Mortgages	1,000	- / Aaa / - / -	CQS 1	Level 1 / 7%	10%	Soft	N	n/a	✓	✓	✓
LB BADEN-WUERTTEMBERG	DE000LB387B4	Mortgages	500	- / Aaa / - / -	CQS 1	Level 1 / 7%	10%	Soft	Y	Green	✓	✓	✓
LB BADEN-WUERTTEMBERG	DE000LB39AS0	Mortgages	750	- / Aaa / - / -	CQS 1	Level 1 / 7%	10%	Soft	N	n/a	✓	✓	✓
LB BADEN-WUERTTEMBERG	DE000LB39BP4	Mortgages	700	- / Aaa / - / -	CQS 1	Level 1 / 7%	10%	Soft	N	n/a	✓	✓	✓
LB BADEN-WUERTTEMBERG	DE000LB39DP0	Mortgages	500	- / Aaa / - / -	CQS 1	Level 1 / 7%	10%	Soft	N	n/a	✓	✓	✓
LB BADEN-WUERTTEMBERG	DE000LB39DQ8	Mortgages	750	- / Aaa / - / -	CQS 1	Level 1 / 7%	10%	Soft	N	n/a	✓	✓	✓
LB BADEN-WUERTTEMBERG	DE000LB2CMY0	Public Loans	650	- / Aaa / - / -	CQS 1	Level 1 / 7%	10%	Soft	N	n/a	✓	✓	✓
LB BADEN-WUERTTEMBERG	DE000LB2CTH0	Public Loans	500	- / Aaa / - / -	CQS 1	Level 1 / 7%	10%	Soft	N	n/a	✓	✓	✓
LB BADEN-WUERTTEMBERG	DE000LB38077	Public Loans	1,000	- / Aaa / - / -	CQS 1	Level 1 / 7%	10%	Soft	N	n/a	✓	✓	✓
LB BADEN-WUERTTEMBERG	DE000LB386A8	Public Loans	750	- / Aaa / - / -	CQS 1	Level 1 / 7%	10%	Soft	N	n/a	✓	✓	✓
LB BADEN-WUERTTEMBERG	DE000LB387C2	Public Loans	750	- / Aaa / - / -	CQS 1	Level 1 / 7%	10%	Soft	N	n/a	✓	✓	✓
LB BADEN-WUERTTEMBERG	DE000LB389C8	Public Loans	500	- / Aaa / - / -	CQS 1	Level 1 / 7%	10%	Soft	N	n/a	✓	✓	✓
LB BADEN-WUERTTEMBERG	DE000LB39EQ6	Public Loans	850	- / Aaa / - / -	CQS 1	Level 1 / 7%	10%	Soft	N	n/a	✓	✓	✓
LB BADEN-WUERTTEMBERG	DE000LB4W4W5	Public Loans	750	- / Aaa / - / -	CQS 1	Level 1 / 7%	10%	Soft	N	n/a	✓	✓	✓

* The covered bond ratings of the rating agency Scope are not explicitly shown due to technical restrictions. In our opinion, no adjustment of the credit quality steps derived here is inferred from the covered bond programmes rated by Scope.

Germany	ISIN	Cover Assets	Amount outstanding (EURm)	Rating (Fitch/Moody's/S&P/DBRS/Scope*)	Credit Quality Step	LCR-Level / Haircut	Risk weight	Maturity structure	ESG	ESG type	ECB	EEA	G10
LB BADEN-WUERTTEMBERG	DE000LB4W514	Public Loans	500	- / Aaa / - / -	CQS 1	Level 1 / 7%	10%	Soft	N	n/a	✓	✓	✓
LB SAAR GIROZENTRALE	DE000SLB4360	Public Loans	500	AAA / - / - / -	CQS 1	Level 1 / 7%	10%	Soft	N	n/a	✓	✓	✓
LLOYDS BANK GMBH	DE000A383G15	Mortgages	500	- / Aaa / - / -	CQS 1	Level 1 / 7%	10%	Soft	N	n/a	✓	✓	✓
MUENCHENER HYPOTHEKENBNK	DE000MHB10J3	Mortgages	1,000	- / Aaa / - / -	CQS 1	Level 1 / 7%	10%	Soft	N	n/a	✓	✓	✓
MUENCHENER HYPOTHEKENBNK	DE000MHB17J8	Mortgages	750	- / Aaa / - / -	CQS 1	Level 1 / 7%	10%	Soft	N	n/a	✓	✓	✓
MUENCHENER HYPOTHEKENBNK	DE000MHB18J6	Mortgages	750	- / Aaa / - / -	CQS 1	Level 1 / 7%	10%	Soft	N	n/a	✓	✓	✓
MUENCHENER HYPOTHEKENBNK	DE000MHB19J4	Mortgages	750	- / Aaa / - / -	CQS 1	Level 1 / 7%	10%	Soft	N	n/a	✓	✓	✓
MUENCHENER HYPOTHEKENBNK	DE000MHB20J2	Mortgages	750	- / Aaa / - / -	CQS 1	Level 1 / 7%	10%	Soft	N	n/a	✓	✓	✓
MUENCHENER HYPOTHEKENBNK	DE000MHB22J8	Mortgages	500	- / Aaa / - / -	CQS 1	Level 1 / 7%	10%	Soft	N	n/a	✓	✓	✓
MUENCHENER HYPOTHEKENBNK	DE000MHB25J1	Mortgages	500	- / Aaa / - / -	CQS 1	Level 1 / 7%	10%	Soft	N	n/a	✓	✓	✓
MUENCHENER HYPOTHEKENBNK	DE000MHB26J9	Mortgages	500	- / Aaa / - / -	CQS 1	Level 1 / 7%	10%	Soft	N	n/a	✓	✓	✓
MUENCHENER HYPOTHEKENBNK	DE000MHB27J7	Mortgages	750	- / Aaa / - / -	CQS 1	Level 1 / 7%	10%	Soft	N	n/a	✓	✓	✓
MUENCHENER HYPOTHEKENBNK	DE000MHB28J5	Mortgages	500	- / Aaa / - / -	CQS 1	Level 1 / 7%	10%	Soft	N	n/a	✓	✓	✓
MUENCHENER HYPOTHEKENBNK	DE000MHB29J3	Mortgages	750	- / Aaa / - / -	CQS 1	Level 1 / 7%	10%	Soft	N	n/a	✓	✓	✓
MUENCHENER HYPOTHEKENBNK	DE000MHB30J1	Mortgages	1,000	- / Aaa / - / -	CQS 1	Level 1 / 7%	10%	Soft	Y	Green	✓	✓	✓
MUENCHENER HYPOTHEKENBNK	DE000MHB31J9	Mortgages	1,200	- / Aaa / - / -	CQS 1	Level 1 / 7%	10%	Soft	N	n/a	✓	✓	✓
MUENCHENER HYPOTHEKENBNK	DE000MHB32J7	Mortgages	1,000	- / Aaa / - / -	CQS 1	Level 1 / 7%	10%	Soft	N	n/a	✓	✓	✓
MUENCHENER HYPOTHEKENBNK	DE000MHB34J3	Mortgages	750	- / Aaa / - / -	CQS 1	Level 1 / 7%	10%	Soft	N	n/a	✓	✓	✓
MUENCHENER HYPOTHEKENBNK	DE000MHB35J0	Mortgages	750	- / Aaa / - / -	CQS 1	Level 1 / 7%	10%	Soft	Y	Green	✓	✓	✓
MUENCHENER HYPOTHEKENBNK	DE000MHB36J8	Mortgages	750	- / Aaa / - / -	CQS 1	Level 1 / 7%	10%	Soft	N	n/a	✓	✓	✓
MUENCHENER HYPOTHEKENBNK	DE000MHB37J6	Mortgages	750	- / Aaa / - / -	CQS 1	Level 1 / 7%	10%	Soft	Y	Green	✓	✓	✓
MUENCHENER HYPOTHEKENBNK	DE000MHB38J4	Mortgages	750	- / Aaa / - / -	CQS 1	Level 1 / 7%	10%	Soft	Y	Green	✓	✓	✓
MUENCHENER HYPOTHEKENBNK	DE000MHB39J2	Mortgages	500	- / Aaa / - / -	CQS 1	Level 1 / 7%	10%	Soft	N	n/a	✓	✓	✓
MUENCHENER HYPOTHEKENBNK	DE000MHB40J0	Mortgages	500	- / Aaa / - / -	CQS 1	Level 1 / 7%	10%	Soft	Y	Green	✓	✓	✓
NORDDEUTSCHE LANDESBANK	DE000NLB2TD7	Mortgages	1,000	- / Aaa / - / -	CQS 1	Level 1 / 7%	10%	Soft	N	n/a	✓	✓	✓
NORDDEUTSCHE LANDESBANK	DE000DHY4960	Mortgages	750	- / Aaa / - / -	CQS 1	Level 1 / 7%	10%	Soft	N	n/a	✓	✓	✓
NORDDEUTSCHE LANDESBANK	DE000DHY5025	Mortgages	750	- / Aaa / - / -	CQS 1	Level 1 / 7%	10%	Soft	N	n/a	✓	✓	✓
NORDDEUTSCHE LANDESBANK	DE000DHY5074	Mortgages	500	- / Aaa / - / -	CQS 1	Level 1 / 7%	10%	Soft	N	n/a	✓	✓	✓
NORDDEUTSCHE LANDESBANK	DE000NLB3UX1	Mortgages	500	- / Aaa / - / -	CQS 1	Level 1 / 7%	10%	Soft	Y	Green	✓	✓	✓
NORDDEUTSCHE LANDESBANK	DE000NLB3Z75	Mortgages	500	- / Aaa / - / -	CQS 1	Level 1 / 7%	10%	Soft	Y	Green	✓	✓	✓
NORDDEUTSCHE LANDESBANK	DE000NLB34Y2	Mortgages	500	- / Aaa / - / -	CQS 1	Level 1 / 7%	10%	Soft	N	n/a	✓	✓	✓
NORDDEUTSCHE LANDESBANK	DE000NLB4RJ4	Mortgages	500	- / Aaa / - / -	CQS 1	Level 1 / 7%	10%	Soft	N	n/a	✓	✓	✓
NORDDEUTSCHE LANDESBANK	DE000NLB4Y34	Mortgages	500	- / Aaa / - / -	CQS 1	Level 1 / 7%	10%	Soft	Y	Green	✓	✓	✓
NORDDEUTSCHE LANDESBANK	DE000NLB4621	Mortgages	500	- / Aaa / - / -	CQS 1	Level 1 / 7%	10%	Soft	Y	Green	✓	✓	✓
NORDDEUTSCHE LANDESBANK	DE000NLB85X6	Public Loans	750	- / Aaa / - / -	CQS 1	Level 1 / 7%	10%	Soft	N	n/a	✓	✓	✓
NORDDEUTSCHE LANDESBANK	DE000NLB8739	Public Loans	800	- / Aaa / - / -	CQS 1	Level 1 / 7%	10%	Soft	N	n/a	✓	✓	✓

* The covered bond ratings of the rating agency Scope are not explicitly shown due to technical restrictions. In our opinion, no adjustment of the credit quality steps derived here is inferred from the covered bond programmes rated by Scope.

Germany	ISIN	Cover Assets	Amount outstanding (EURm)	Rating (Fitch/Moody's/S&P/DBRS/Scope*)	Credit Quality Step	LCR-Level / Haircut	Risk weight	Maturity structure	ESG	ESG type	ECB	EEA	G10
NORDDEUTSCHE LANDESBANK	DE000NLB40F8	Public Loans	750	- / Aaa / - / -	CQS 1	Level 1 / 7%	10%	Soft	N	n/a	✓	✓	✓
OLDENBURGISCHE LANDESBK	DE000A11QJS1	Mortgages	500	- / Aaa / - / -	CQS 1	Level 1 / 7%	10%	Soft	N	n/a	✓	✓	✓
SANTANDER CONSUMER BANK	XS2114143758	Mortgages	500	AAA / Aaa / - / -	CQS 1	Level 1 / 7%	10%	Soft	N	n/a	✓	✓	✓
SPARKASSE HANNOVER	DE000A383B77	Mortgages	500	AAA / - / - / -	CQS 1	Level 1 / 7%	10%	Soft	N	n/a	✓	✓	✓
SPARKASSE PFORZHEIM CALW	DE000A30V5G4	Mortgages	500	AAA / - / - / -	CQS 1	Level 1 / 7%	10%	Soft	N	n/a	✓	✓	✓
SPARKASSE PFORZHEIM CALW	DE000A351TH2	Mortgages	500	AAA / - / - / -	CQS 1	Level 1 / 7%	10%	Soft	N	n/a	✓	✓	✓
SPARKASSE PFORZHEIM CALW	DE000A3823V5	Mortgages	500	AAA / - / - / -	CQS 1	Level 1 / 7%	10%	Soft	N	n/a	✓	✓	✓
UNICREDIT BANK GMBH	DE000HV2AMT6	Mortgages	750	- / Aaa / - / -	CQS 1	Level 1 / 7%	10%	Soft	N	n/a	✓	✓	✓
UNICREDIT BANK GMBH	DE000HV2ARM0	Mortgages	1,000	- / Aaa / - / -	CQS 1	Level 1 / 7%	10%	Soft	N	n/a	✓	✓	✓
UNICREDIT BANK GMBH	DE000HV2ASK2	Mortgages	1,000	- / Aaa / - / -	CQS 1	Level 1 / 7%	10%	Soft	N	n/a	✓	✓	✓
UNICREDIT BANK GMBH	DE000HV2ASU1	Mortgages	1,000	- / Aaa / - / -	CQS 1	Level 1 / 7%	10%	Soft	N	n/a	✓	✓	✓
UNICREDIT BANK GMBH	DE000HV2AS10	Mortgages	1,500	- / Aaa / - / -	CQS 1	Level 1 / 7%	10%	Soft	N	n/a	✓	✓	✓
UNICREDIT BANK GMBH	DE000HV2AYA1	Mortgages	1,000	- / Aaa / - / -	CQS 1	Level 1 / 7%	10%	Soft	N	n/a	✓	✓	✓
UNICREDIT BANK GMBH	DE000HV2ATM6	Mortgages	1,000	- / Aaa / - / -	CQS 1	Level 1 / 7%	10%	Soft	N	n/a	✓	✓	✓
UNICREDIT BANK GMBH	DE000HV2AX54	Mortgages	500	- / Aaa / - / -	CQS 1	Level 1 / 7%	10%	Soft	N	n/a	✓	✓	✓
UNICREDIT BANK GMBH	DE000HV2AYD5	Mortgages	750	- / Aaa / - / -	CQS 1	Level 1 / 7%	10%	Soft	N	n/a	✓	✓	✓
UNICREDIT BANK GMBH	DE000HV2AYJ2	Mortgages	500	- / Aaa / - / -	CQS 1	Level 1 / 7%	10%	Soft	N	n/a	✓	✓	✓
UNICREDIT BANK GMBH	DE000HV2AYN4	Mortgages	500	- / Aaa / - / -	CQS 1	Level 1 / 7%	10%	Soft	Y	Green	✓	✓	✓
UNICREDIT BANK GMBH	DE000HV2AYS3	Mortgages	1,000	- / Aaa / - / -	CQS 1	Level 1 / 7%	10%	Soft	N	n/a	✓	✓	✓
UNICREDIT BANK GMBH	DE000HV2AYU9	Mortgages	1,000	- / Aaa / - / -	CQS 1	Level 1 / 7%	10%	Soft	N	n/a	✓	✓	✓
UNICREDIT BANK GMBH	DE000HV2AYZ8	Mortgages	500	- / Aaa / - / -	CQS 1	Level 1 / 7%	10%	Soft	N	n/a	✓	✓	✓
UNICREDIT BANK GMBH	DE000HV2AY12	Mortgages	500	- / Aaa / - / -	CQS 1	Level 1 / 7%	10%	Soft	Y	Green	✓	✓	✓
UNICREDIT BANK GMBH	DE000HV2AY79	Mortgages	1,000	- / Aaa / - / -	CQS 1	Level 1 / 7%	10%	Soft	N	n/a	✓	✓	✓
UNICREDIT BANK GMBH	DE000HV2AZC4	Mortgages	1,000	- / Aaa / - / -	CQS 1	Level 1 / 7%	10%	Soft	N	n/a	✓	✓	✓
UNICREDIT BANK GMBH	DE000HV2AZT8	Mortgages	750	- / Aaa / - / -	CQS 1	Level 1 / 7%	10%	Soft	N	n/a	✓	✓	✓
UNICREDIT BANK GMBH	DE000HV2AOA3	Mortgages	750	- / Aaa / - / -	CQS 1	Level 1 / 7%	10%	Soft	N	n/a	✓	✓	✓
WUESTENROT BAUSPARKASSE	DE000WBP0A79	Mortgages	500	- / - / AAA / -	CQS 1	Level 1 / 7%	10%	Soft	N	n/a	✓	✓	✓
WUESTENROT BAUSPARKASSE	DE000WBP0BB8	Mortgages	500	- / - / AAA / -	CQS 1	Level 1 / 7%	10%	Soft	N	n/a	✓	✓	✓
WUESTENROT BAUSPARKASSE	DE000WBP0BJ1	Mortgages	500	- / - / AAA / -	CQS 1	Level 1 / 7%	10%	Soft	N	n/a	✓	✓	✓
WUESTENROT BAUSPARKASSE	DE000WBP0BK9	Mortgages	600	- / - / AAA / -	CQS 1	Level 1 / 7%	10%	Soft	Y	Green	✓	✓	✓
WUESTENROT BAUSPARKASSE	DE000WBP0BL7	Mortgages	500	- / - / AAA / -	CQS 1	Level 1 / 7%	10%	Soft	N	n/a	✓	✓	✓
Iceland	ISIN	Cover Assets	Amount outstanding (EURm)	Rating (Fitch/Moody's/S&P/DBRS/Scope*)	Credit Quality Step	LCR-Level / Haircut	Risk weight	Maturity structure	ESG	ESG type	ECB	EEA	G10
ARION BANKI HF	XS2391348740	Mortgages	500	- / Aa1 / - / -	CQS 1	Level 1 / 7%	10%	Soft	N	n/a	✓	✓	✗

* The covered bond ratings of the rating agency Scope are not explicitly shown due to technical restrictions. In our opinion, no adjustment of the credit quality steps derived here is inferred from the covered bond programmes rated by Scope.

Italy	ISIN	Cover Assets	Amount outstanding (EURm)	Rating (Fitch/Moody's/S&P/DBRS/Scope*)	Credit Quality Step	LCR-Level / Haircut	Risk weight	Maturity structure	ESG	ESG type	ECB	EEA	G10
BANCA MONTE DEI PASCHI S	IT0005386922	Mortgages (OBG 1)	1,000	AA / Aa3 / - / AA	CQS 1	Level 1 / 7%	10%	CPT	N	n/a	✓	✓	✓
BANCA MONTE DEI PASCHI S	IT0005593212	Mortgages (OBG 1)	750	AA / Aa3 / - / AA	CQS 1	Level 1 / 7%	10%	CPT	N	n/a	✓	✓	✓
BANCA MONTE DEI PASCHI S	IT0005603367	Mortgages (OBG 1)	750	AA / Aa3 / - / AA	CQS 1	Level 1 / 7%	10%	CPT	Y	Social	✓	✓	✓
BANCA POPOLARE SONDRIO	IT0005568529	Mortgages	500	AA / - / - / -	CQS 1	Level 1 / 7%	10%	Soft	N	n/a	✓	✓	✓
BANCA POPOLARE SONDRIO	IT0005580276	Mortgages	500	AA / - / - / -	CQS 1	Level 1 / 7%	10%	Soft	N	n/a	✓	✓	✓
BANCO BPM SPA	IT0005153975	Mortgages (BPM CB 2)	750	- / Aa3 / - / -	CQS 1	Level 1 / 7%	10%	Soft	N	n/a	✓	✓	✓
BANCO BPM SPA	IT0005489932	Mortgages (BPM CB 2)	750	- / Aa3 / - / -	CQS 1	Level 1 / 7%	10%	Soft	Y	Green	✓	✓	✓
BANCO BPM SPA	IT0005552507	Mortgages (BPM CB 2)	750	- / Aa3 / - / -	CQS 1	Level 1 / 7%	10%	Soft	N	n/a	✓	✓	✓
BANCO BPM SPA	IT0005562142	Mortgages (BPM CB 2)	750	- / Aa3 / - / -	CQS 1	Level 1 / 7%	10%	Soft	N	n/a	✓	✓	✓
BANCO BPM SPA	IT0005580771	Mortgages (BPM CB 2)	750	- / Aa3 / - / -	CQS 1	Level 1 / 7%	10%	Soft	N	n/a	✓	✓	✓
BANCO BPM SPA	IT0005597379	Mortgages (BPM CB 2)	500	- / Aa3 / - / -	CQS 1	Level 1 / 7%	10%	Soft	N	n/a	✓	✓	✓
BANCO DESIO DELLA BRIANZ	IT0005380446	Mortgages	500	AA / - / - / -	CQS 1	Level 1 / 7%	10%	Soft	N	n/a	✓	✓	✓
BANCO DESIO DELLA BRIANZ	IT0005610941	Mortgages	500	AA / - / - / -	CQS 1	Level 1 / 7%	10%	Soft	N	n/a	✓	✓	✓
BPER BANCA	IT0005365710	Mortgages	600	- / Aa3 / - / -	CQS 1	Level 1 / 7%	10%	Soft	N	n/a	✓	✓	✓
BPER BANCA	IT0005461626	Mortgages	750	- / Aa3 / - / AAL	CQS 1	Level 1 / 7%	10%	Soft	N	n/a	✓	✓	✓
BPER BANCA	IT0005571952	Mortgages	750	- / Aa3 / - / -	CQS 1	Level 1 / 7%	10%	Soft	N	n/a	✓	✓	✓
BPER BANCA	IT0005586968	Mortgages	500	- / Aa3 / - / -	CQS 1	Level 1 / 7%	10%	Soft	N	n/a	✓	✓	✓
BPER BANCA	IT0005611048	Mortgages	500	- / Aa3 / - / -	CQS 1	Level 1 / 7%	10%	Soft	N	n/a	✓	✓	✓
CREDIT AGRICOLE ITALIA	IT0005216616	Mortgages	750	- / Aa3 / - / -	CQS 1	Level 1 / 7%	10%	Soft	N	n/a	✓	✓	✓
CREDIT AGRICOLE ITALIA	IT0005246415	Mortgages	750	- / Aa3 / - / -	CQS 1	Level 1 / 7%	10%	Soft	N	n/a	✓	✓	✓
CREDIT AGRICOLE ITALIA	IT0005319949	Mortgages	500	- / Aa3 / - / -	CQS 1	Level 1 / 7%	10%	Soft	N	n/a	✓	✓	✓
CREDIT AGRICOLE ITALIA	IT0005366288	Mortgages	750	- / Aa3 / - / -	CQS 1	Level 1 / 7%	10%	Soft	N	n/a	✓	✓	✓
CREDIT AGRICOLE ITALIA	IT0005397028	Mortgages	500	- / Aa3 / - / -	CQS 1	Level 1 / 7%	10%	Soft	N	n/a	✓	✓	✓
CREDIT AGRICOLE ITALIA	IT0005397036	Mortgages	750	- / Aa3 / - / -	CQS 1	Level 1 / 7%	10%	Soft	N	n/a	✓	✓	✓
CREDIT AGRICOLE ITALIA	IT0005437733	Mortgages	500	- / Aa3 / - / -	CQS 1	Level 1 / 7%	10%	Soft	Y	Green	✓	✓	✓
CREDIT AGRICOLE ITALIA	IT0005481046	Mortgages	1,000	- / Aa3 / - / -	CQS 1	Level 1 / 7%	10%	Soft	N	n/a	✓	✓	✓
CREDIT AGRICOLE ITALIA	IT0005481038	Mortgages	500	- / Aa3 / - / -	CQS 1	Level 1 / 7%	10%	Soft	N	n/a	✓	✓	✓
CREDIT AGRICOLE ITALIA	IT0005549396	Mortgages	1,000	- / Aa3 / - / -	CQS 1	Level 1 / 7%	10%	Soft	N	n/a	✓	✓	✓
CREDIT AGRICOLE ITALIA	IT0005579997	Mortgages	500	- / Aa3 / - / -	CQS 1	Level 1 / 7%	10%	Soft	Y	Green	✓	✓	✓
CREDIT AGRICOLE ITALIA	IT0005585622	Mortgages	1,000	- / Aa3 / - / -	CQS 1	Level 1 / 7%	10%	Soft	N	n/a	✓	✓	✓
CREDITO EMILIANO SPA	IT0005451759	Mortgages	750	AA / Aa3 / - / -	CQS 1	Level 1 / 7%	10%	Soft	N	n/a	✓	✓	✓
CREDITO EMILIANO SPA	IT0005495889	Mortgages	500	AA / Aa3 / - / -	CQS 1	Level 1 / 7%	10%	Soft	N	n/a	✓	✓	✓
CREDITO EMILIANO SPA	IT0005579294	Mortgages	500	AA / Aa3 / - / -	CQS 1	Level 1 / 7%	10%	Soft	Y	Social	✓	✓	✓
ICCREA BANCA SPA	IT0005459067	Mortgages	500	- / Aa3 / - / -	CQS 1	Level 1 / 7%	10%	Soft	N	n/a	✓	✓	✓
ICCREA BANCA SPA	IT0005555112	Mortgages	650	- / Aa3 / - / -	CQS 1	Level 1 / 7%	10%	Soft	N	n/a	✓	✓	✓
ICCREA BANCA SPA	IT0005569964	Mortgages	700	- / Aa3 / - / -	CQS 1	Level 1 / 7%	10%	Soft	N	n/a	✓	✓	✓

* The covered bond ratings of the rating agency Scope are not explicitly shown due to technical restrictions. In our opinion, no adjustment of the credit quality steps derived here is inferred from the covered bond programmes rated by Scope.

Italy	ISIN	Cover Assets	Amount outstanding (EURm)	Rating (Fitch/Moody's/S&P/DBRS/Scope*)	Credit Quality Step	LCR-Level / Haircut	Risk weight	Maturity structure	ESG	ESG type	ECB	EEA	G10
ICCREA BANCA SPA	IT0005584880	Mortgages	500	- / Aa3 / - / -	CQS 1	Level 1 / 7%	10%	Soft	N	n/a	✓	✓	✓
ICCREA BANCA SPA	IT0005597916	Mortgages	750	- / Aa3 / - / -	CQS 1	Level 1 / 7%	10%	Soft	N	n/a	✓	✓	✓
INTESA SANPAOLO SPA	IT0004992787	Mortgages (OBG Mortgage)	1,250	- / Aa3 / - / -	CQS 1	Level 1 / 7%	10%	Soft	N	n/a	✓	✓	✓
INTESA SANPAOLO SPA	IT0005156044	Mortgages (OBG Mortgage)	1,250	- / Aa3 / - / -	CQS 1	Level 1 / 7%	10%	Soft	N	n/a	✓	✓	✓
INTESA SANPAOLO SPA	IT0005259988	Mortgages (OBG Mortgage)	1,000	- / Aa3 / - / -	CQS 1	Level 1 / 7%	10%	Soft	N	n/a	✓	✓	✓
INTESA SANPAOLO SPA	IT0005554578	Mortgages (OBG Mortgage)	1,250	- / Aa3 / - / -	CQS 1	Level 1 / 7%	10%	Soft	N	n/a	✓	✓	✓
INTESA SANPAOLO SPA	IT0005215147	Mortgages (OBG UBI Finance)	1,000	- / Aa3 / - / AAL	CQS 1	Level 1 / 7%	10%	Soft	N	n/a	✓	✓	✓
INTESA SANPAOLO SPA	IT0005283491	Mortgages (OBG UBI Finance)	1,250	- / Aa3 / - / AAL	CQS 1	Level 1 / 7%	10%	Soft	N	n/a	✓	✓	✓
INTESA SANPAOLO SPA	IT0005320665	Mortgages (OBG UBI Finance)	500	- / Aa3 / - / AAL	CQS 1	Level 1 / 7%	10%	Soft	N	n/a	✓	✓	✓
MEDIOBANCA DI CRED FIN	IT0005315046	Mortgages	750	AA / - / - / -	CQS 1	Level 1 / 7%	10%	Soft	N	n/a	✓	✓	✓
MEDIOBANCA DI CRED FIN	IT0005378036	Mortgages	750	AA / - / - / -	CQS 1	Level 1 / 7%	10%	Soft	N	n/a	✓	✓	✓
MEDIOBANCA DI CRED FIN	IT0005433757	Mortgages	750	AA / - / - / -	CQS 1	Level 1 / 7%	10%	Soft	N	n/a	✓	✓	✓
MEDIOBANCA DI CRED FIN	IT0005499543	Mortgages	750	AA / - / - / -	CQS 1	Level 1 / 7%	10%	Soft	N	n/a	✓	✓	✓
MEDIOBANCA DI CRED FIN	IT0005579807	Mortgages	800	AA / - / - / -	CQS 1	Level 1 / 7%	10%	Soft	N	n/a	✓	✓	✓
MEDIOBANCA DI CRED FIN	IT0005611063	Mortgages	750	AA / - / - / -	CQS 1	Level 1 / 7%	10%	Soft	N	n/a	✓	✓	✓
UNICREDIT SPA	IT0005212987	Mortgages (OBG 2)	1,000	- / Aa3 / - / -	CQS 1	Level 1 / 7%	10%	Soft	N	n/a	✓	✓	✓
UNICREDIT SPA	IT0005549362	Mortgages (OBG 2)	1,750	- / Aa3 / - / -	CQS 1	Level 1 / 7%	10%	Soft	N	n/a	✓	✓	✓
UNICREDIT SPA	IT0005549370	Mortgages (OBG 2)	1,250	- / Aa3 / - / -	CQS 1	Level 1 / 7%	10%	Soft	N	n/a	✓	✓	✓
Japan	ISIN	Cover Assets	Amount outstanding (EURm)	Rating (Fitch/Moody's/S&P/DBRS/Scope*)	Credit Quality Step	LCR-Level / Haircut	Risk weight	Maturity structure	ESG	ESG type	ECB	EEA	G10
SUMITOMO MITSUI BANKING	XS2008801297	Mortgages	500	- / Aaa / - / -	CQS 1	not eligible	20%	Soft	N	n/a	✗	✗	✓
SUMITOMO MITSUI BANKING	XS2066652897	Mortgages	750	- / Aaa / - / -	CQS 1	not eligible	20%	Soft	N	n/a	✗	✗	✓
SUMITOMO MITSUI BANKING	XS2547591474	Mortgages	750	- / Aaa / - / -	CQS 1	not eligible	20%	Soft	N	n/a	✗	✗	✓
SUMITOMO MITSUI TR BK LT	XS2240511076	Mortgages	850	- / Aaa / - / -	CQS 1	not eligible	20%	Soft	N	n/a	✗	✗	✓
SUMITOMO MITSUI TR BK LT	XS2395267052	Mortgages	750	- / Aaa / - / -	CQS 1	not eligible	20%	Soft	N	n/a	✗	✗	✓
SUMITOMO MITSUI TR BK LT	XS2603552014	Mortgages	500	- / Aaa / - / -	CQS 1	not eligible	20%	Soft	N	n/a	✗	✗	✓
SUMITOMO MITSUI TR BK LT	XS2698464885	Mortgages	500	- / Aaa / - / -	CQS 1	not eligible	20%	Soft	N	n/a	✗	✗	✓
Korea	ISIN	Cover Assets	Amount outstanding (EURm)	Rating (Fitch/Moody's/S&P/DBRS/Scope*)	Credit Quality Step	LCR-Level / Haircut	Risk weight	Maturity structure	ESG	ESG type	ECB	EEA	G10
HANA BANK	XS2282707178	Mortgages	500	AAA / - / AAA / -	CQS 1	Level 2A / 15%	20%	Soft	Y	Social	✗	✗	✗
HANA BANK	XS2594123585	Mortgages	600	AAA / - / AAA / -	CQS 1	Level 2A / 15%	20%	Soft	Y	Social	✗	✗	✗
KOOKMIN BANK	XS2393768788	Mortgages	500	AAA / - / AAA / -	CQS 1	Level 2A / 15%	20%	Soft	Y	Green	✗	✗	✗
KOOKMIN BANK	XS2488807244	Mortgages	500	AAA / - / AAA / -	CQS 1	Level 2A / 15%	20%	Soft	Y	Sustainability	✗	✗	✗
KOOKMIN BANK	XS2681940370	Mortgages	500	AAA / - / AAA / -	CQS 1	Level 2A / 15%	20%	Soft	N	n/a	✗	✗	✗

* The covered bond ratings of the rating agency Scope are not explicitly shown due to technical restrictions. In our opinion, no adjustment of the credit quality steps derived here is inferred from the covered bond programmes rated by Scope.

Korea	ISIN	Cover Assets	Amount outstanding (EURm)	Rating (Fitch/Moody's/S&P/DBRS/Scope*)	Credit Quality Step	LCR-Level / Haircut	Risk weight	Maturity structure	ESG	ESG type	ECB	EEA	G10
KOOKMIN BANK	XS2901481460	Mortgages	500	AAA / - / AAA / -	CQS 1	Level 2A / 15%	20%	Soft	Y	Sustainability	✗	✗	✗
KOREA HOUSING FINANCE CO	XS2355599353	Mortgages (2021/01 Issue)	1,000	- / - / AAA / -	CQS 1	Level 2A / 15%	20%	Hard	Y	Social	✗	✗	✗
KOREA HOUSING FINANCE CO	XS2388377827	Mortgages (2021/02 Issue)	550	- / - / AAA / -	CQS 1	Level 2A / 15%	20%	Hard	Y	Social	✗	✗	✗
KOREA HOUSING FINANCE CO	XS2502879096	Mortgages (Global)	500	- / Aaa / AAA / -	CQS 1	Level 2A / 15%	20%	Hard	Y	Social	✗	✗	✗
KOREA HOUSING FINANCE CO	XS2545732484	Mortgages (Global)	650	- / Aaa / AAA / -	CQS 1	Level 2A / 15%	20%	Hard	Y	Social	✗	✗	✗
KOREA HOUSING FINANCE CO	XS2678945317	Mortgages (Global)	1,100	- / Aaa / AAA / -	CQS 1	Level 2A / 15%	20%	Hard	Y	Social	✗	✗	✗
KOREA HOUSING FINANCE CO	XS2779847842	Mortgages (Global)	500	- / Aaa / AAA / -	CQS 1	Level 2A / 15%	20%	Hard	Y	Social	✗	✗	✗
KOREA HOUSING FINANCE CO	XS2900380226	Mortgages (Global)	650	- / Aaa / AAA / -	CQS 1	Level 2A / 15%	20%	Hard	Y	Social	✗	✗	✗
SHINHAN BANK	XS2740452649	Mortgages	500	AAA / Aaa / - / -	CQS 1	Level 2A / 15%	20%	Soft	Y	Green	✗	✗	✗
Luxembourg	ISIN	Cover Assets	Amount outstanding (EURm)	Rating (Fitch/Moody's/S&P/DBRS/Scope*)	Credit Quality Step	LCR-Level / Haircut	Risk weight	Maturity structure	ESG	ESG type	ECB	EEA	G10
NORDBL LX COV BOND BK	XS2186093410	Public Loans (LdG Public)	500	- / Aaa / - / -	CQS 1	Level 1 / 7%	20%	Hard	N	n/a	✓	✓	✗
Netherlands	ISIN	Cover Assets	Amount outstanding (EURm)	Rating (Fitch/Moody's/S&P/DBRS/Scope*)	Credit Quality Step	LCR-Level / Haircut	Risk weight	Maturity structure	ESG	ESG type	ECB	EEA	G10
ABN AMRO BANK NV	XS1298431799	Mortgages	1,750	AAA / Aaa / - / -	CQS 1	Level 1 / 7%	10%	Soft	N	n/a	✓	✓	✓
ABN AMRO BANK NV	XS1344751968	Mortgages	1,250	AAA / Aaa / - / -	CQS 1	Level 1 / 7%	10%	Soft	N	n/a	✓	✓	✓
ABN AMRO BANK NV	XS1394791492	Mortgages	2,250	AAA / Aaa / - / -	CQS 1	Level 1 / 7%	10%	Soft	N	n/a	✓	✓	✓
ABN AMRO BANK NV	XS1548458014	Mortgages	2,000	AAA / Aaa / - / -	CQS 1	Level 1 / 7%	10%	Soft	N	n/a	✓	✓	✓
ABN AMRO BANK NV	XS1548493946	Mortgages	2,250	AAA / Aaa / - / -	CQS 1	Level 1 / 7%	10%	Soft	N	n/a	✓	✓	✓
ABN AMRO BANK NV	XS1747670922	Mortgages	2,000	AAA / Aaa / - / -	CQS 1	Level 1 / 7%	10%	Soft	N	n/a	✓	✓	✓
ABN AMRO BANK NV	XS1805353734	Mortgages	1,500	AAA / Aaa / - / -	CQS 1	Level 1 / 7%	10%	Soft	N	n/a	✓	✓	✓
ABN AMRO BANK NV	XS1933815455	Mortgages	750	AAA / Aaa / - / -	CQS 1	Level 1 / 7%	10%	Soft	N	n/a	✓	✓	✓
ABN AMRO BANK NV	XS1985004370	Mortgages	1,250	AAA / Aaa / - / -	CQS 1	Level 1 / 7%	10%	Soft	N	n/a	✓	✓	✓
ABN AMRO BANK NV	XS2101336316	Mortgages	2,000	AAA / Aaa / - / -	CQS 1	Level 1 / 7%	10%	Soft	N	n/a	✓	✓	✓
ABN AMRO BANK NV	XS2387713238	Mortgages	1,500	AAA / Aaa / - / -	CQS 1	Level 1 / 7%	10%	Soft	N	n/a	✓	✓	✓
ABN AMRO BANK NV	XS2435570895	Mortgages	1,000	AAA / Aaa / - / -	CQS 1	Level 1 / 7%	10%	Soft	N	n/a	✓	✓	✓
ABN AMRO BANK NV	XS2889321589	Mortgages	1,250	AAA / Aaa / - / -	CQS 1	Level 1 / 7%	10%	Soft	N	n/a	✓	✓	✓
ACHMEA BANK NV	XS1953778807	Mortgages (SB)	500	- / - / AAA / -	CQS 1	Level 1 / 7%	10%	Soft	N	n/a	✓	✓	✓
ACHMEA BANK NV	XS2392593161	Mortgages (SB)	500	- / - / AAA / -	CQS 1	Level 1 / 7%	10%	Soft	N	n/a	✓	✓	✓
ACHMEA BANK NV	XS2484321950	Mortgages (SB)	500	- / - / AAA / -	CQS 1	Level 1 / 7%	10%	Soft	N	n/a	✓	✓	✓
ACHMEA BANK NV	XS2582112947	Mortgages (SB)	500	- / - / AAA / -	CQS 1	Level 1 / 7%	10%	Soft	N	n/a	✓	✓	✓
ACHMEA BANK NV	XS2706237513	Mortgages (SB)	500	- / - / AAA / -	CQS 1	Level 1 / 7%	10%	Soft	N	n/a	✓	✓	✓
ACHMEA BANK NV	XS2761358055	Mortgages (SB)	500	- / - / AAA / -	CQS 1	Level 1 / 7%	10%	Soft	N	n/a	✓	✓	✓
ACHMEA BANK NV	XS2833410033	Mortgages (SB)	500	- / - / AAA / -	CQS 1	Level 1 / 7%	10%	Soft	N	n/a	✓	✓	✓

* The covered bond ratings of the rating agency Scope are not explicitly shown due to technical restrictions. In our opinion, no adjustment of the credit quality steps derived here is inferred from the covered bond programmes rated by Scope.

Netherlands	ISIN	Cover Assets	Amount outstanding (EURm)	Rating (Fitch/Moody's/S&P/DBRS/Scope*)	Credit Quality Step	LCR-Level / Haircut	Risk weight	Maturity structure	ESG	ESG type	ECB	EEA	G10
ACHMEA BANK NV	XS2919192869	Mortgages (SB)	650	- / - / AAA / -	CQS 1	Level 1 / 7%	10%	Soft	N	n/a	✓	✓	✓
COOPERATIEVE RABOBANK UA	XS1622193321	Mortgages	1,370	- / Aaa / - / -	CQS 1	Level 1 / 7%	10%	Soft	N	n/a	✓	✓	✓
COOPERATIEVE RABOBANK UA	XS1766477522	Mortgages	1,250	- / Aaa / - / -	CQS 1	Level 1 / 7%	10%	Soft	N	n/a	✓	✓	✓
COOPERATIEVE RABOBANK UA	XS1811812145	Mortgages	1,000	- / Aaa / - / -	CQS 1	Level 1 / 7%	10%	Soft	N	n/a	✓	✓	✓
COOPERATIEVE RABOBANK UA	XS1811812574	Mortgages	1,375	- / Aaa / - / -	CQS 1	Level 1 / 7%	10%	Soft	N	n/a	✓	✓	✓
COOPERATIEVE RABOBANK UA	XS1944327631	Mortgages	2,000	- / Aaa / - / -	CQS 1	Level 1 / 7%	10%	Soft	N	n/a	✓	✓	✓
COOPERATIEVE RABOBANK UA	XS2014373182	Mortgages	1,000	- / Aaa / - / -	CQS 1	Level 1 / 7%	10%	Soft	N	n/a	✓	✓	✓
COOPERATIEVE RABOBANK UA	XS2014373851	Mortgages	1,550	- / Aaa / - / -	CQS 1	Level 1 / 7%	10%	Soft	N	n/a	✓	✓	✓
COOPERATIEVE RABOBANK UA	XS2197945251	Mortgages	1,500	- / Aaa / - / -	CQS 1	Level 1 / 7%	10%	Soft	N	n/a	✓	✓	✓
COOPERATIEVE RABOBANK UA	XS2264087110	Mortgages	1,200	- / Aaa / - / -	CQS 1	Level 1 / 7%	10%	Soft	N	n/a	✓	✓	✓
COOPERATIEVE RABOBANK UA	XS2416563901	Mortgages	1,500	- / Aaa / - / -	CQS 1	Level 1 / 7%	10%	Soft	N	n/a	✓	✓	✓
COOPERATIEVE RABOBANK UA	XS2449505820	Mortgages	1,750	- / Aaa / - / -	CQS 1	Level 1 / 7%	10%	Soft	N	n/a	✓	✓	✓
COOPERATIEVE RABOBANK UA	XS2577836187	Mortgages	1,250	- / Aaa / - / -	CQS 1	Level 1 / 7%	10%	Soft	N	n/a	✓	✓	✓
COOPERATIEVE RABOBANK UA	XS2633136317	Mortgages	975	- / Aaa / - / -	CQS 1	Level 1 / 7%	10%	Soft	N	n/a	✓	✓	✓
COOPERATIEVE RABOBANK UA	XS2722858532	Mortgages	1,250	- / Aaa / - / -	CQS 1	Level 1 / 7%	10%	Soft	Y	Green	✓	✓	✓
COOPERATIEVE RABOBANK UA	XS2756520248	Mortgages	1,500	- / Aaa / - / -	CQS 1	Level 1 / 7%	10%	Soft	N	n/a	✓	✓	✓
COOPERATIEVE RABOBANK UA	XS2813326605	Mortgages	1,000	- / Aaa / - / -	CQS 1	Level 1 / 7%	10%	Soft	N	n/a	✓	✓	✓
DE VOLKSBANK NV	XS1508404651	Mortgages	500	AAA / Aaa / - / -	CQS 1	Level 1 / 7%	10%	Soft	N	n/a	✓	✓	✓
DE VOLKSBANK NV	XS1614202049	Mortgages	500	AAA / Aaa / - / -	CQS 1	Level 1 / 7%	10%	Soft	N	n/a	✓	✓	✓
DE VOLKSBANK NV	XS1788694856	Mortgages	500	AAA / Aaa / - / -	CQS 1	Level 1 / 7%	10%	Soft	N	n/a	✓	✓	✓
DE VOLKSBANK NV	XS1943455185	Mortgages	500	AAA / Aaa / - / -	CQS 1	Level 1 / 7%	10%	Soft	N	n/a	✓	✓	✓
DE VOLKSBANK NV	XS2259193998	Mortgages	500	AAA / Aaa / - / -	CQS 1	Level 1 / 7%	10%	Soft	N	n/a	✓	✓	✓
DE VOLKSBANK NV	XS2386592302	Mortgages	800	AAA / Aaa / - / -	CQS 1	Level 1 / 7%	10%	Soft	N	n/a	✓	✓	✓
DE VOLKSBANK NV	XS2791994309	Mortgages	500	AAA / Aaa / - / -	CQS 1	Level 1 / 7%	10%	Soft	N	n/a	✓	✓	✓
ING BANK NV	XS1805257265	Mortgages	1,750	AAA / Aaa / AAA / -	CQS 1	Level 1 / 7%	10%	Soft	N	n/a	✓	✓	✓
ING BANK NV	XS1952576475	Mortgages	2,000	AAA / Aaa / AAA / -	CQS 1	Level 1 / 7%	10%	Soft	N	n/a	✓	✓	✓
ING BANK NV	XS2418730995	Mortgages	1,500	AAA / Aaa / AAA / -	CQS 1	Level 1 / 7%	10%	Soft	N	n/a	✓	✓	✓
ING BANK NV	XS2445188423	Mortgages	1,500	AAA / Aaa / AAA / -	CQS 1	Level 1 / 7%	10%	Soft	N	n/a	✓	✓	✓
ING BANK NV	XS2445188852	Mortgages	750	AAA / Aaa / AAA / -	CQS 1	Level 1 / 7%	10%	Soft	N	n/a	✓	✓	✓
ING BANK NV	XS2534912485	Mortgages	1,000	AAA / Aaa / AAA / -	CQS 1	Level 1 / 7%	10%	Soft	N	n/a	✓	✓	✓
ING BANK NV	XS2585966257	Mortgages	2,000	AAA / Aaa / AAA / -	CQS 1	Level 1 / 7%	10%	Soft	N	n/a	✓	✓	✓
ING BANK NV	XS2585966505	Mortgages	2,000	AAA / Aaa / AAA / -	CQS 1	Level 1 / 7%	10%	Soft	N	n/a	✓	✓	✓
ING BANK NV	XS2744125266	Mortgages	1,250	AAA / Aaa / AAA / -	CQS 1	Level 1 / 7%	10%	Soft	N	n/a	✓	✓	✓
ING BANK NV	XS2744125001	Mortgages	1,250	AAA / Aaa / AAA / -	CQS 1	Level 1 / 7%	10%	Soft	N	n/a	✓	✓	✓
ING BANK NV	XS2821667719	Mortgages	1,250	AAA / Aaa / AAA / -	CQS 1	Level 1 / 7%	10%	Soft	N	n/a	✓	✓	✓
KNAB NV	XS1637329639	Mortgages (CPT)	500	- / - / AAA / -	CQS 1	Level 1 / 7%	10%	CPT	N	n/a	✓	✓	✓

* The covered bond ratings of the rating agency Scope are not explicitly shown due to technical restrictions. In our opinion, no adjustment of the credit quality steps derived here is inferred from the covered bond programmes rated by Scope.

Netherlands	ISIN	Cover Assets	Amount outstanding (EURm)	Rating (Fitch/Moody's/S&P/DBRS/Scope*)	Credit Quality Step	LCR-Level / Haircut	Risk weight	Maturity structure	ESG	ESG type	ECB	EEA	G10
KNAB NV	XS2351073098	Mortgages (SB)	500	- / - / AAA / -	CQS 1	Level 1 / 7%	10%	Soft	N	n/a	✓	✓	✓
KNAB NV	XS2642546399	Mortgages (SB)	500	- / - / AAA / -	CQS 1	Level 1 / 7%	10%	Soft	N	n/a	✓	✓	✓
NIBC BANK NV	XS1423753463	Mortgages (CPT)	500	AAA / - / AAA / -	CQS 1	Level 1 / 7%	10%	CPT	N	n/a	✓	✓	✓
NIBC BANK NV	XS1753809141	Mortgages (CPT)	500	AAA / - / AAA / -	CQS 1	Level 1 / 7%	10%	CPT	N	n/a	✓	✓	✓
NIBC BANK NV	XS1877512258	Mortgages (CPT)	500	AAA / - / AAA / -	CQS 1	Level 1 / 7%	10%	CPT	N	n/a	✓	✓	✓
NIBC BANK NV	XS1964577396	Mortgages (CPT)	500	AAA / - / AAA / -	CQS 1	Level 1 / 7%	10%	CPT	N	n/a	✓	✓	✓
NIBC BANK NV	XS2065698834	Mortgages (CPT)	500	AAA / - / AAA / -	CQS 1	Level 1 / 7%	10%	CPT	N	n/a	✓	✓	✓
NIBC BANK NV	XS2333649759	Mortgages (CPT)	500	AAA / - / AAA / -	CQS 1	Level 1 / 7%	10%	CPT	N	n/a	✓	✓	✓
NIBC BANK NV	XS2411638575	Mortgages (CPT)	500	AAA / - / AAA / -	CQS 1	Level 1 / 7%	10%	CPT	N	n/a	✓	✓	✓
NIBC BANK NV	XS2491156142	Mortgages (SB)	500	- / - / AAA / -	CQS 1	Level 1 / 7%	10%	Soft	N	n/a	✓	✓	✓
NIBC BANK NV	XS2579199865	Mortgages (SB)	500	- / - / AAA / -	CQS 1	Level 1 / 7%	10%	Soft	N	n/a	✓	✓	✓
NN BANK NV NETHERLANDS	NL0013088990	Mortgages (SB Pool)	550	- / - / AAA / -	CQS 1	Level 1 / 7%	10%	Soft	N	n/a	✓	✓	✓
NN BANK NV NETHERLANDS	NL0013995095	Mortgages (SB Pool)	500	- / - / AAA / -	CQS 1	Level 1 / 7%	10%	Soft	N	n/a	✓	✓	✓
NN BANK NV NETHERLANDS	NL0015436072	Mortgages (SB Pool)	500	- / - / AAA / -	CQS 1	Level 1 / 7%	10%	Soft	N	n/a	✓	✓	✓
NN BANK NV NETHERLANDS	NL0015614611	Mortgages (SB Pool)	500	- / - / AAA / -	CQS 1	Level 1 / 7%	10%	Soft	N	n/a	✓	✓	✓
NN BANK NV NETHERLANDS	NL00150008B6	Mortgages (SB Pool)	500	- / - / AAA / -	CQS 1	Level 1 / 7%	10%	Soft	N	n/a	✓	✓	✓
NN BANK NV NETHERLANDS	NL0015000WP1	Mortgages (SB Pool)	500	- / - / AAA / -	CQS 1	Level 1 / 7%	10%	Soft	Y	Green	✓	✓	✓
NN BANK NV NETHERLANDS	NL0015001BV1	Mortgages (SB Pool)	750	- / - / AAA / -	CQS 1	Level 1 / 7%	10%	Soft	Y	Green	✓	✓	✓
NN BANK NV NETHERLANDS	NL0015001R87	Mortgages (SB Pool)	750	- / - / AAA / -	CQS 1	Level 1 / 7%	10%	Soft	N	n/a	✓	✓	✓
VAN LANSCHOT NV	XS1565570212	Mortgages (SB)	500	- / - / AAA / -	CQS 1	Level 1 / 7%	10%	Soft	N	n/a	✓	✓	✓
VAN LANSCHOT NV	XS2495966637	Mortgages (SB)	500	- / - / AAA / -	CQS 1	Level 1 / 7%	10%	Soft	N	n/a	✓	✓	✓
VAN LANSCHOT NV	XS2629466900	Mortgages (SB)	500	- / - / AAA / -	CQS 1	Level 1 / 7%	10%	Soft	N	n/a	✓	✓	✓
New Zealand	ISIN	Cover Assets	Amount outstanding (EURm)	Rating (Fitch/Moody's/S&P/DBRS/Scope*)	Credit Quality Step	LCR-Level / Haircut	Risk weight	Maturity structure	ESG	ESG type	ECB	EEA	G10
ANZ NEW ZEALAND INTL/LDN	XS2459053943	Mortgages	750	AAA / Aaa / - / -	CQS 1	Level 2A / 15%	20%	Soft	N	n/a	✗	✗	✗
ANZ NEW ZEALAND INTL/LDN	XS2646222633	Mortgages	500	AAA / Aaa / - / -	CQS 1	Level 2A / 15%	20%	Soft	N	n/a	✗	✗	✗
ASB BANK LIMITED	XS2343772724	Mortgages	750	AAA / Aaa / - / -	CQS 1	Level 2A / 15%	20%	Soft	N	n/a	✗	✗	✗
BANK OF NEW ZEALAND	XS2353483733	Mortgages	850	AAA / Aaa / - / -	CQS 1	Level 2A / 15%	20%	Soft	N	n/a	✗	✗	✗
BANK OF NEW ZEALAND	XS2491074923	Mortgages	750	AAA / Aaa / - / -	CQS 1	Level 2A / 15%	20%	Soft	N	n/a	✗	✗	✗
BANK OF NEW ZEALAND	XS2638490354	Mortgages	750	AAA / Aaa / - / -	CQS 1	Level 2A / 15%	20%	Soft	N	n/a	✗	✗	✗
WESTPAC SEC NZ/LONDON	XS2348324414	Mortgages	850	AAA / Aaa / - / -	CQS 1	Level 2A / 15%	20%	Soft	N	n/a	✗	✗	✗
WESTPAC SEC NZ/LONDON	XS2500847657	Mortgages	750	AAA / Aaa / - / -	CQS 1	Level 2A / 15%	20%	Soft	N	n/a	✗	✗	✗
WESTPAC SEC NZ/LONDON	XS2597905905	Mortgages	750	AAA / Aaa / - / -	CQS 1	Level 2A / 15%	20%	Soft	N	n/a	✗	✗	✗

* The covered bond ratings of the rating agency Scope are not explicitly shown due to technical restrictions. In our opinion, no adjustment of the credit quality steps derived here is inferred from the covered bond programmes rated by Scope.

Norway	ISIN	Cover Assets	Amount outstanding (EURm)	Rating (Fitch/Moody's/S&P/DBRS/Scope*)	Credit Quality Step	LCR-Level / Haircut	Risk weight	Maturity structure	ESG	ESG type	ECB	EEA	G10
DNB BOLIGKREDITT AS	XS1485596511	Mortgages	1,500	- / Aaa / AAA / -	CQS 1	Level 1 / 7%	10%	Soft	N	n/a	✓	✓	✗
DNB BOLIGKREDITT AS	XS1934743656	Mortgages	1,500	- / Aaa / AAA / -	CQS 1	Level 1 / 7%	10%	Soft	N	n/a	✓	✓	✗
DNB BOLIGKREDITT AS	XS2238292010	Mortgages	1,500	- / Aaa / AAA / -	CQS 1	Level 1 / 7%	10%	Soft	N	n/a	✓	✓	✗
DNB BOLIGKREDITT AS	XS2289593670	Mortgages	1,500	- / Aaa / AAA / -	CQS 1	Level 1 / 7%	10%	Soft	Y	Green	✓	✓	✗
DNB BOLIGKREDITT AS	XS2341719503	Mortgages	1,000	- / Aaa / AAA / -	CQS 1	Level 1 / 7%	10%	Soft	N	n/a	✓	✓	✗
DNB BOLIGKREDITT AS	XS2717426220	Mortgages	1,250	- / Aaa / AAA / -	CQS 1	Level 1 / 7%	10%	Soft	N	n/a	✓	✓	✗
DNB BOLIGKREDITT AS	XS2782809938	Mortgages	1,250	- / Aaa / AAA / -	CQS 1	Level 1 / 7%	10%	Soft	N	n/a	✓	✓	✗
DNB BOLIGKREDITT AS	XS2834475704	Mortgages	1,000	- / Aaa / AAA / -	CQS 1	Level 1 / 7%	10%	Soft	N	n/a	✓	✓	✗
EIKA BOLIGKREDITT AS	XS1945130620	Mortgages	500	- / Aaa / - / -	CQS 1	Level 1 / 7%	10%	Soft	N	n/a	✓	✓	✗
EIKA BOLIGKREDITT AS	XS2133386685	Mortgages	500	- / Aaa / - / -	CQS 1	Level 1 / 7%	10%	Soft	N	n/a	✓	✓	✗
EIKA BOLIGKREDITT AS	XS2234711294	Mortgages	500	- / Aaa / - / -	CQS 1	Level 1 / 7%	10%	Soft	N	n/a	✓	✓	✗
EIKA BOLIGKREDITT AS	XS2353312254	Mortgages	500	- / Aaa / - / -	CQS 1	Level 1 / 7%	10%	Soft	Y	Green	✓	✓	✗
EIKA BOLIGKREDITT AS	XS2482628851	Mortgages	500	- / Aaa / - / -	CQS 1	Level 1 / 7%	10%	Soft	N	n/a	✓	✓	✗
EIKA BOLIGKREDITT AS	XS2536806289	Mortgages	500	- / Aaa / - / -	CQS 1	Level 1 / 7%	10%	Soft	Y	Green	✓	✓	✗
EIKA BOLIGKREDITT AS	XS2636611332	Mortgages	500	- / Aaa / - / -	CQS 1	Level 1 / 7%	10%	Soft	N	n/a	✓	✓	✗
EIKA BOLIGKREDITT AS	XS2787826382	Mortgages	500	- / Aaa / - / -	CQS 1	Level 1 / 7%	10%	Soft	N	n/a	✓	✓	✗
MORE BOLIGKREDITT AS	XS2907263284	Mortgages	500	- / Aaa / - / -	CQS 1	Level 1 / 7%	10%	Soft	N	n/a	✓	✓	✗
SPAREBANK 1 BOLIGKREDITT	XS1482554075	Mortgages	1,000	- / Aaa / - / -	CQS 1	Level 1 / 7%	10%	Soft	N	n/a	✓	✓	✗
SPAREBANK 1 BOLIGKREDITT	XS1943561883	Mortgages	1,250	- / Aaa / - / -	CQS 1	Level 1 / 7%	10%	Soft	N	n/a	✓	✓	✗
SPAREBANK 1 BOLIGKREDITT	XS1995620967	Mortgages	1,000	- / Aaa / - / -	CQS 1	Level 1 / 7%	10%	Soft	N	n/a	✓	✓	✗
SPAREBANK 1 BOLIGKREDITT	XS2076139166	Mortgages	1,000	- / Aaa / - / -	CQS 1	Level 1 / 7%	10%	Soft	N	n/a	✓	✓	✗
SPAREBANK 1 BOLIGKREDITT	XS2234568983	Mortgages	1,000	- / Aaa / - / -	CQS 1	Level 1 / 7%	10%	Soft	Y	Green	✓	✓	✗
SPAREBANK 1 BOLIGKREDITT	XS2342589582	Mortgages	1,000	- / Aaa / - / -	CQS 1	Level 1 / 7%	10%	Soft	N	n/a	✓	✓	✗
SPAREBANK 1 BOLIGKREDITT	XS2404591161	Mortgages	1,000	- / Aaa / - / -	CQS 1	Level 1 / 7%	10%	Soft	N	n/a	✓	✓	✗
SPAREBANK 1 BOLIGKREDITT	XS2434677998	Mortgages	1,250	- / Aaa / - / -	CQS 1	Level 1 / 7%	10%	Soft	N	n/a	✓	✓	✗
SPAREBANK 1 BOLIGKREDITT	XS2478523108	Mortgages	1,000	- / Aaa / - / -	CQS 1	Level 1 / 7%	10%	Soft	N	n/a	✓	✓	✗
SPAREBANK 1 BOLIGKREDITT	XS2525255647	Mortgages	1,250	- / Aaa / - / -	CQS 1	Level 1 / 7%	10%	Soft	N	n/a	✓	✓	✗
SPAREBANK 1 BOLIGKREDITT	XS2624502105	Mortgages	750	- / Aaa / - / -	CQS 1	Level 1 / 7%	10%	Soft	Y	Green	✓	✓	✗
SPAREBANK 1 BOLIGKREDITT	XS2710358297	Mortgages	1,000	- / Aaa / - / -	CQS 1	Level 1 / 7%	10%	Soft	N	n/a	✓	✓	✗
SPAREBANK 1 BOLIGKREDITT	XS2820463003	Mortgages	1,000	- / Aaa / - / -	CQS 1	Level 1 / 7%	10%	Soft	N	n/a	✓	✓	✗
SPAREBANK 1 BOLIGKREDITT	XS2894232227	Mortgages	1,000	- / Aaa / - / -	CQS 1	Level 1 / 7%	10%	Soft	N	n/a	✓	✓	✗
SPAREBANKEN SOR BOLIGKRE	XS1947550403	Mortgages	500	- / Aaa / - / -	CQS 1	Level 1 / 7%	10%	Soft	N	n/a	✓	✓	✗
SPAREBANKEN SOR BOLIGKRE	XS2069304033	Mortgages	500	- / Aaa / - / -	CQS 1	Level 1 / 7%	10%	Soft	Y	Green	✓	✓	✗
SPAREBANKEN SOR BOLIGKRE	XS2291901994	Mortgages	500	- / Aaa / - / -	CQS 1	Level 1 / 7%	10%	Soft	N	n/a	✓	✓	✗
SPAREBANKEN SOR BOLIGKRE	XS2389362687	Mortgages	500	- / Aaa / - / -	CQS 1	Level 1 / 7%	10%	Soft	N	n/a	✓	✓	✗
SPAREBANKEN VEST BOLIGKR	XS1951084638	Mortgages	750	- / Aaa / - / -	CQS 1	Level 1 / 7%	10%	Soft	N	n/a	✓	✓	✗

* The covered bond ratings of the rating agency Scope are not explicitly shown due to technical restrictions. In our opinion, no adjustment of the credit quality steps derived here is inferred from the covered bond programmes rated by Scope.

Norway	ISIN	Cover Assets	Amount outstanding (EURm)	Rating (Fitch/Moody's/S&P/DBRS/Scope*)	Credit Quality Step	LCR-Level / Haircut	Risk weight	Maturity structure	ESG	ESG type	ECB	EEA	G10
SPAREBANKEN VEST BOLIGKR	XS2199484929	Mortgages	500	- / Aaa / - / -	CQS 1	Level 1 / 7%	10%	Soft	Y	Green	✓	✓	✗
SPAREBANKEN VEST BOLIGKR	XS2397352233	Mortgages	750	- / Aaa / - / -	CQS 1	Level 1 / 7%	10%	Soft	Y	Green	✓	✓	✗
SPAREBANKEN VEST BOLIGKR	XS2434412859	Mortgages	750	- / Aaa / - / -	CQS 1	Level 1 / 7%	10%	Soft	N	n/a	✓	✓	✗
SPAREBANKEN VEST BOLIGKR	XS2536376416	Mortgages	750	- / Aaa / - / -	CQS 1	Level 1 / 7%	10%	Soft	N	n/a	✓	✓	✗
SPAREBANKEN VEST BOLIGKR	XS2717426576	Mortgages	500	- / Aaa / - / -	CQS 1	Level 1 / 7%	10%	Soft	N	n/a	✓	✓	✗
SPAREBANKEN VEST BOLIGKR	XS2824740778	Mortgages	500	- / Aaa / - / -	CQS 1	Level 1 / 7%	10%	Soft	N	n/a	✓	✓	✗
SR-BOLIGKREDITT AS	XS2063288190	Mortgages	500	- / Aaa / - / -	CQS 1	Level 1 / 7%	10%	Soft	Y	Green	✓	✓	✗
SR-BOLIGKREDITT AS	XS2124046678	Mortgages	500	- / Aaa / - / -	CQS 1	Level 1 / 7%	10%	Soft	N	n/a	✓	✓	✗
SR-BOLIGKREDITT AS	XS2194373077	Mortgages	750	- / Aaa / - / -	CQS 1	Level 1 / 7%	10%	Soft	N	n/a	✓	✓	✗
SR-BOLIGKREDITT AS	XS2312584779	Mortgages	1,000	- / Aaa / - / -	CQS 1	Level 1 / 7%	10%	Soft	N	n/a	✓	✓	✗
SR-BOLIGKREDITT AS	XS2384580218	Mortgages	500	- / Aaa / - / -	CQS 1	Level 1 / 7%	10%	Soft	N	n/a	✓	✓	✗
SR-BOLIGKREDITT AS	XS2464091029	Mortgages	750	- / Aaa / - / -	CQS 1	Level 1 / 7%	10%	Soft	N	n/a	✓	✓	✗
SR-BOLIGKREDITT AS	XS2524675050	Mortgages	1,000	- / Aaa / - / -	CQS 1	Level 1 / 7%	10%	Soft	N	n/a	✓	✓	✗
SR-BOLIGKREDITT AS	XS2768185030	Mortgages	500	- / Aaa / - / -	CQS 1	Level 1 / 7%	10%	Soft	N	n/a	✓	✓	✗
Portugal	ISIN	Cover Assets	Amount outstanding (EURm)	Rating (Fitch/Moody's/S&P/DBRS/Scope*)	Credit Quality Step	LCR-Level / Haircut	Risk weight	Maturity structure	ESG	ESG type	ECB	EEA	G10
BANCO BPI SA	PTBPIDOM0031	Mortgages	750	- / Aaa / - / AA	CQS 1	Level 1 / 7%	10%	Soft	N	n/a	✓	✓	✗
BANCO BPI SA	PTBPIZOM0035	Mortgages	500	- / Aaa / - / AA	CQS 1	Level 1 / 7%	10%	Soft	N	n/a	✓	✓	✗
BANCO SANTANDER TOTTA SA	PTBSRJOM0023	Mortgages	1,000	AAA / Aaa / - / AA	CQS 1	Level 1 / 7%	10%	Soft	N	n/a	✓	✓	✗
BANCO SANTANDER TOTTA SA	PTBSPAOM0008	Mortgages	750	AAA / Aaa / - / AA	CQS 1	Level 1 / 7%	10%	Soft	N	n/a	✓	✓	✗
BANCO SANTANDER TOTTA SA	PTBSPCOM0006	Mortgages	850	AAA / Aaa / - / AA	CQS 1	Level 1 / 7%	10%	Soft	N	n/a	✓	✓	✗
BANCO SANTANDER TOTTA SA	PTBSPHOM0027	Mortgages	1,000	AAA / Aaa / - / AA	CQS 1	Level 1 / 7%	10%	Soft	N	n/a	✓	✓	✗
NOVO BANCO SA	PTNOBFOM0009	Mortgages	500	- / Aaa / - / -	CQS 1	Level 1 / 7%	10%	Soft	N	n/a	✓	✓	✗
Singapore	ISIN	Cover Assets	Amount outstanding (EURm)	Rating (Fitch/Moody's/S&P/DBRS/Scope*)	Credit Quality Step	LCR-Level / Haircut	Risk weight	Maturity structure	ESG	ESG type	ECB	EEA	G10
DBS BANK LTD	XS2401439174	Mortgages	750	AAA / Aaa / - / -	CQS 1	Level 2A / 15%	20%	Soft	N	n/a	✗	✗	✗
DBS BANK LTD	XS2761174247	Mortgages	1,000	AAA / Aaa / - / -	CQS 1	Level 2A / 15%	20%	Soft	N	n/a	✗	✗	✗
DBS BANK LTD	XS2908597789	Mortgages	1,250	AAA / Aaa / - / -	CQS 1	Level 2A / 15%	20%	Soft	N	n/a	✗	✗	✗
MAYBANK SINGAPORE LTD	XS2831200154	Mortgages	500	- / Aaa / AAA / -	CQS 1	Level 2A / 15%	20%	Soft	N	n/a	✗	✗	✗
OVERSEA-CHINESE BANKING	XS2838470123	Mortgages	500	AAA / Aaa / - / -	CQS 1	Level 2A / 15%	20%	Soft	N	n/a	✗	✗	✗
STANDARD CHARTERED SG LT	XS2821666745	Mortgages	500	- / Aaa / AAA / -	CQS 1	Level 2A / 15%	20%	Soft	N	n/a	✗	✗	✗
STANDARD CHARTERED SG LT	XS2909746740	Mortgages	500	- / Aaa / AAA / -	CQS 1	Level 2A / 15%	20%	Soft	N	n/a	✗	✗	✗
UNITED OVERSEAS BANK LTD	XS2264978623	Mortgages	1,000	- / Aaa / AAA / -	CQS 1	Level 2A / 15%	20%	Soft	N	n/a	✗	✗	✗
UNITED OVERSEAS BANK LTD	XS2345845882	Mortgages	750	- / Aaa / AAA / -	CQS 1	Level 2A / 15%	20%	Soft	N	n/a	✗	✗	✗

* The covered bond ratings of the rating agency Scope are not explicitly shown due to technical restrictions. In our opinion, no adjustment of the credit quality steps derived here is inferred from the covered bond programmes rated by Scope.

Slovakia	ISIN	Cover Assets	Amount outstanding (EURm)	Rating (Fitch/Moody's/S&P/DBRS/Scope*)	Credit Quality Step	LCR-Level / Haircut	Risk weight	Maturity structure	ESG	ESG type	ECB	EEA	G10
CESKO OBCH BANKA(SLOVAK)	SK4000025284	Mortgages	500	AAA / Aaa / AAA / -	CQS 1	Level 1 / 7%	10%	Soft	N	n/a	✓	✓	✗
PRIMA BANKA SLOVENSKO AS	SK4000016069	Mortgages	500	AAA / Aaa / AAA / -	CQS 1	Level 1 / 7%	10%	Soft	N	n/a	✓	✓	✗
PRIMA BANKA SLOVENSKO AS	SK4000019634	Mortgages	500	AAA / - / AAA / -	CQS 1	Level 1 / 7%	10%	Soft	N	n/a	✓	✓	✗
SLOVENSKA SPORITELNA AS	SK4000015400	Mortgages	500	AAA / - / AAA / -	CQS 1	Level 1 / 7%	10%	Soft	N	n/a	✓	✓	✗
SLOVENSKA SPORITELNA AS	SK4000020673	Mortgages	500	AAA / - / AAA / -	CQS 1	Level 1 / 7%	10%	Soft	N	n/a	✓	✓	✗
SLOVENSKA SPORITELNA AS	SK4000021820	Mortgages	500	AAA / - / AAA / -	CQS 1	Level 1 / 7%	10%	Soft	Y	Green	✓	✓	✗
SLOVENSKA SPORITELNA AS	SK4000022398	Mortgages	500	AAA / - / AAA / -	CQS 1	Level 1 / 7%	10%	Soft	N	n/a	✓	✓	✗
SLOVENSKA SPORITELNA AS	SK4000023636	Mortgages	500	AAA / Aaa / AAA / -	CQS 1	Level 1 / 7%	10%	Soft	N	n/a	✓	✓	✗
TATRA BANKA AS	SK4000022430	Mortgages	500	AAA / Aaa / AAA / -	CQS 1	Level 1 / 7%	10%	Soft	N	n/a	✓	✓	✗
TATRA BANKA AS	SK4000026043	Mortgages	500	AAA / Aaa / AAA / -	CQS 1	Level 1 / 7%	10%	Soft	N	n/a	✓	✓	✗
VSEOBECNA UVEROVA BANKA	SK4000015475	Mortgages	500	AAA / Aaa / AAA / -	CQS 1	Level 1 / 7%	10%	Soft	N	n/a	✓	✓	✗
VSEOBECNA UVEROVA BANKA	SK4000018693	Mortgages	500	AAA / Aaa / - / -	CQS 1	Level 1 / 7%	10%	Soft	N	n/a	✓	✓	✗
VSEOBECNA UVEROVA BANKA	SK4000020491	Mortgages	500	- / Aaa / - / -	CQS 1	Level 1 / 7%	10%	Soft	N	n/a	✓	✓	✗
VSEOBECNA UVEROVA BANKA	SK4000022828	Mortgages	500	AAA / Aaa / - / -	CQS 1	Level 1 / 7%	10%	Soft	N	n/a	✓	✓	✗
VSEOBECNA UVEROVA BANKA	SK4000023685	Mortgages	500	AAA / Aaa / - / -	CQS 1	Level 1 / 7%	10%	Soft	N	n/a	✓	✓	✗
VSEOBECNA UVEROVA BANKA	SK4000024923	Mortgages	500	AAA / Aaa / - / -	CQS 1	Level 1 / 7%	10%	Soft	N	n/a	✓	✓	✗
Spain	ISIN	Cover Assets	Amount outstanding (EURm)	Rating (Fitch/Moody's/S&P/DBRS/Scope*)	Credit Quality Step	LCR-Level / Haircut	Risk weight	Maturity structure	ESG	ESG type	ECB	EEA	G10
ABANCA CORP BANCARIA SA	ES0465936054	Mortgages	750	- / Aa1 / AA+ / -	CQS 1	Level 1 / 7%	10%	Hard	N	n/a	✓	✓	✗
BANCO BILBAO VIZCAYA ARG	ES0413211915	Mortgages	1,000	- / Aa1 / - / -	CQS 1	Level 1 / 7%	10%	Hard	N	n/a	✓	✓	✗
BANCO BILBAO VIZCAYA ARG	ES0413211A75	Mortgages	1,500	- / Aa1 / - / AAA	CQS 1	Level 1 / 7%	10%	Soft	N	n/a	✓	✓	✗
BANCO DE SABADELL SA	ES0413860596	Mortgages	1,100	- / Aa1 / - / AAA	CQS 1	Level 1 / 7%	10%	Hard	N	n/a	✓	✓	✗
BANCO DE SABADELL SA	ES0413860745	Mortgages	1,000	- / Aa1 / - / AAA	CQS 1	Level 1 / 7%	10%	Hard	N	n/a	✓	✓	✗
BANCO DE SABADELL SA	ES0413860802	Mortgages	1,000	- / Aa1 / - / AAA	CQS 1	Level 1 / 7%	10%	Hard	N	n/a	✓	✓	✗
BANCO DE SABADELL SA	ES0413860836	Mortgages	1,000	- / Aa1 / - / AAA	CQS 1	Level 1 / 7%	10%	Soft	N	n/a	✓	✓	✗
BANCO DE SABADELL SA	ES0413860851	Mortgages	1,000	- / Aa1 / - / AAA	CQS 1	Level 1 / 7%	10%	Soft	N	n/a	✓	✓	✗
BANCO DE SABADELL SA	ES0413860877	Mortgages	750	- / Aa1 / - / AAA	CQS 1	Level 1 / 7%	10%	Soft	N	n/a	✓	✓	✗
BANCO SANTANDER SA	ES0413900129	Mortgages	1,500	AAA / Aa1 / - / -	CQS 1	Level 1 / 7%	10%	Hard	N	n/a	✓	✓	✗
BANCO SANTANDER SA	ES0413900376	Mortgages	1,250	AAA / Aa1 / - / -	CQS 1	Level 1 / 7%	10%	Hard	N	n/a	✓	✓	✗
BANCO SANTANDER SA	ES0413900392	Mortgages	1,000	AAA / Aa1 / - / -	CQS 1	Level 1 / 7%	10%	Hard	N	n/a	✓	✓	✗
BANCO SANTANDER SA	ES0413900533	Mortgages	1,000	AAA / Aa1 / - / -	CQS 1	Level 1 / 7%	10%	Hard	N	n/a	✓	✓	✗
BANCO SANTANDER SA	ES0413900558	Mortgages	1,500	AAA / Aa1 / - / -	CQS 1	Level 1 / 7%	10%	Hard	N	n/a	✓	✓	✗
BANCO SANTANDER SA	ES0413900566	Mortgages	1,500	AAA / Aa1 / - / -	CQS 1	Level 1 / 7%	10%	Hard	N	n/a	✓	✓	✗
BANCO SANTANDER SA	ES0413900574	Mortgages	1,750	AAA / Aa1 / - / -	CQS 1	Level 1 / 7%	10%	Hard	N	n/a	✓	✓	✗
BANCO SANTANDER SA	ES0413900608	Mortgages	1,250	AAA / Aa1 / - / -	CQS 1	Level 1 / 7%	10%	Hard	N	n/a	✓	✓	✗

* The covered bond ratings of the rating agency Scope are not explicitly shown due to technical restrictions. In our opinion, no adjustment of the credit quality steps derived here is inferred from the covered bond programmes rated by Scope.

Spain	ISIN	Cover Assets	Amount outstanding (EURm)	Rating (Fitch/Moody's/S&P/DBRS/Scope*)	Credit Quality Step	LCR-Level / Haircut	Risk weight	Maturity structure	ESG	ESG type	ECB	EEA	G10
BANCO SANTANDER SA	ES0413900848	Mortgages	2,250	AAA / Aa1 / - / -	CQS 1	Level 1 / 7%	10%	Soft	N	n/a	✓	✓	✗
BANCO SANTANDER SA	ES0413900855	Mortgages	1,250	AAA / Aa1 / - / -	CQS 1	Level 1 / 7%	10%	Soft	N	n/a	✓	✓	✗
BANCO SANTANDER SA	ES0413900905	Mortgages	2,500	AAA / Aa1 / - / -	CQS 1	Level 1 / 7%	10%	Soft	N	n/a	✓	✓	✗
BANCO SANTANDER SA	ES0413900913	Mortgages	1,000	AAA / Aa1 / - / -	CQS 1	Level 1 / 7%	10%	Soft	N	n/a	✓	✓	✗
BANCO SANTANDER SA	ES0413900947	Mortgages	500	- / Aa1 / - / -	CQS 1	Level 1 / 7%	10%	Soft	N	n/a	✓	✓	✗
BANCO SANTANDER SA	ES0413900160	Mortgages	1,500	AAA / Aa1 / - / -	CQS 1	Level 1 / 7%	10%	Hard	N	n/a	✓	✓	✗
BANCO SANTANDER SA	ES0413900939	Public Loans	500	- / Aa1 / - / -	CQS 1	Level 1 / 7%	10%	Soft	N	n/a	✓	✓	✗
BANKINTER SA	ES0413679418	Mortgages	500	- / Aa1 / - / -	CQS 1	Level 1 / 7%	10%	Hard	N	n/a	✓	✓	✗
BANKINTER SA	ES0413679525	Mortgages	750	- / Aa1 / - / -	CQS 1	Level 1 / 7%	10%	Soft	N	n/a	✓	✓	✗
CAIXABANK SA	ES0414950644	Mortgages	2,100	- / Aa1 / AA+ / AAA	CQS 1	Level 1 / 7%	10%	Hard	N	n/a	✓	✓	✗
CAIXABANK SA	ES0440609339	Mortgages	1,600	- / Aa1 / AA+ / AAA	CQS 1	Level 1 / 7%	10%	Hard	N	n/a	✓	✓	✗
CAIXABANK SA	ES0440609347	Mortgages	1,000	- / Aa1 / AA+ / AAA	CQS 1	Level 1 / 7%	10%	Hard	N	n/a	✓	✓	✗
CAIXABANK SA	ES0440609396	Mortgages	1,000	- / Aa1 / AA+ / AAA	CQS 1	Level 1 / 7%	10%	Hard	N	n/a	✓	✓	✗
CAJA RURAL DE NAVARRA	ES0415306093	Mortgages	500	- / Aa1 / - / -	CQS 1	Level 1 / 7%	10%	Hard	Y	Green	✓	✓	✗
CAJA RURAL DE NAVARRA	ES0415306101	Mortgages	500	- / Aa1 / - / -	CQS 1	Level 1 / 7%	10%	Soft	Y	Green	✓	✓	✗
CAJAMAR CAJA RURAL SCC	ES0422714172	Mortgages	750	AA / - / AA+ / -	CQS 1	Level 1 / 7%	10%	Soft	N	n/a	✓	✓	✗
CAJAMAR CAJA RURAL SCC	ES0422714206	Mortgages	600	AA / - / AA+ / -	CQS 1	Level 1 / 7%	10%	Soft	N	n/a	✓	✓	✗
DEUTSCHE BK SA ESPANOLA	ES0413320153	Mortgages	500	- / Aa1 / - / -	CQS 1	Level 1 / 7%	10%	Soft	N	n/a	✓	✓	✗
EUROCAJA RURAL SCC	ES0457089029	Mortgages	700	- / Aa1 / - / -	CQS 1	Level 1 / 7%	10%	Hard	Y	Sustainability	✓	✓	✗
UNICAJA BANCO SA	ES0468675030	Mortgages	1,200	- / Aa1 / - / -	CQS 1	Level 1 / 7%	10%	Hard	N	n/a	✓	✓	✗
Sweden	ISIN	Cover Assets	Amount outstanding (EURm)	Rating (Fitch/Moody's/S&P/DBRS/Scope*)	Credit Quality Step	LCR-Level / Haircut	Risk weight	Maturity structure	ESG	ESG type	ECB	EEA	G10
LANSFORSKRINGAR HYPOTEK	XS1942708873	Mortgages	500	- / Aaa / AAA / -	CQS 1	Level 1 / 7%	10%	Hard	N	n/a	✓	✓	✓
LANSFORSKRINGAR HYPOTEK	XS2389315768	Mortgages	500	- / Aaa / AAA / -	CQS 1	Level 1 / 7%	10%	Hard	N	n/a	✓	✓	✓
LANSFORSKRINGAR HYPOTEK	XS2486449072	Mortgages	500	- / Aaa / AAA / -	CQS 1	Level 1 / 7%	10%	Soft	N	n/a	✓	✓	✓
LANSFORSKRINGAR HYPOTEK	XS2618711068	Mortgages	500	- / Aaa / AAA / -	CQS 1	Level 1 / 7%	10%	Soft	N	n/a	✓	✓	✓
LANSFORSKRINGAR HYPOTEK	XS2813159436	Mortgages	500	- / Aaa / AAA / -	CQS 1	Level 1 / 7%	10%	Soft	N	n/a	✓	✓	✓
SKANDINAVISKA ENSKILDA	XS1716825507	Mortgages	750	- / Aaa / - / -	CQS 1	Level 1 / 7%	10%	Hard	N	n/a	✓	✓	✓
SKANDINAVISKA ENSKILDA	XS1948598997	Mortgages	1,250	- / Aaa / - / -	CQS 1	Level 1 / 7%	10%	Hard	N	n/a	✓	✓	✓
SKANDINAVISKA ENSKILDA	XS2462455689	Mortgages	1,500	- / Aaa / - / -	CQS 1	Level 1 / 7%	10%	Hard	N	n/a	✓	✓	✓
SKANDINAVISKA ENSKILDA	XS2592234749	Mortgages	1,500	- / Aaa / - / -	CQS 1	Level 1 / 7%	10%	Soft	N	n/a	✓	✓	✓
STADSHYPOTEK AB	XS1499574991	Mortgages (NO Pool)	500	- / Aaa / - / -	CQS 1	Level 1 / 7%	10%	Soft	N	n/a	✓	✓	✓
STADSHYPOTEK AB	XS1709509258	Mortgages (NO Pool)	500	- / Aaa / - / -	CQS 1	Level 1 / 7%	10%	Soft	N	n/a	✓	✓	✓
STADSHYPOTEK AB	XS2262802601	Mortgages (NO Pool)	1,000	- / Aaa / - / -	CQS 1	Level 1 / 7%	10%	Soft	N	n/a	✓	✓	✓
STADSHYPOTEK AB	XS2391570418	Mortgages (NO Pool)	1,000	- / Aaa / - / -	CQS 1	Level 1 / 7%	10%	Soft	N	n/a	✓	✓	✓

* The covered bond ratings of the rating agency Scope are not explicitly shown due to technical restrictions. In our opinion, no adjustment of the credit quality steps derived here is inferred from the covered bond programmes rated by Scope.

Sweden	ISIN	Cover Assets	Amount outstanding (EURm)	Rating (Fitch/Moody's/S&P/DBRS/Scope*)	Credit Quality Step	LCR-Level / Haircut	Risk weight	Maturity structure	ESG	ESG type	ECB	EEA	G10
STADSHYPOTEK AB	XS2790172006	Mortgages (NO Pool)	750	- / Aaa / - / -	CQS 1	Level 1 / 7%	10%	Soft	N	n/a	✓	✓	✓
STADSHYPOTEK AB	XS1962535644	Mortgages (SE Pool)	1,250	- / Aaa / - / -	CQS 1	Level 1 / 7%	10%	Soft	N	n/a	✓	✓	✓
STADSHYPOTEK AB	XS2536938439	Mortgages (SE Pool)	1,000	- / Aaa / - / -	CQS 1	Level 1 / 7%	10%	Soft	N	n/a	✓	✓	✓
STADSHYPOTEK AB	XS2607344079	Mortgages (SE Pool)	1,000	- / Aaa / - / -	CQS 1	Level 1 / 7%	10%	Soft	Y	Green	✓	✓	✓
SWEDBANK HYPOTEK AB	XS1946788194	Mortgages	1,000	- / Aaa / AAA / -	CQS 1	Level 1 / 7%	10%	Hard	N	n/a	✓	✓	✓
SWEDBANK HYPOTEK AB	XS2487057106	Mortgages	1,000	- / Aaa / AAA / -	CQS 1	Level 1 / 7%	10%	Hard	N	n/a	✓	✓	✓
SWEDBANK HYPOTEK AB	XS2607781882	Mortgages	1,000	- / Aaa / AAA / -	CQS 1	Level 1 / 7%	10%	Soft	N	n/a	✓	✓	✓
SWEDISH COVERED BOND	XS1586702679	Mortgages	750	- / Aaa / - / -	CQS 1	Level 1 / 7%	10%	Soft	N	n/a	✓	✓	✓
SWEDISH COVERED BOND	XS1808480534	Mortgages	675	- / Aaa / - / -	CQS 1	Level 1 / 7%	10%	Soft	N	n/a	✓	✓	✓
SWEDISH COVERED BOND	XS2007244614	Mortgages	500	- / Aaa / - / -	CQS 1	Level 1 / 7%	10%	Soft	N	n/a	✓	✓	✓
SWEDISH COVERED BOND	XS2353010593	Mortgages	1,000	- / Aaa / - / -	CQS 1	Level 1 / 7%	10%	Soft	N	n/a	✓	✓	✓
SWEDISH COVERED BOND	XS2478272938	Mortgages	1,250	- / Aaa / - / -	CQS 1	Level 1 / 7%	10%	Soft	N	n/a	✓	✓	✓
SWEDISH COVERED BOND	XS2617508481	Mortgages	1,000	- / Aaa / - / -	CQS 1	Level 1 / 7%	10%	Soft	N	n/a	✓	✓	✓
Switzerland	ISIN	Cover Assets	Amount outstanding (EURm)	Rating (Fitch/Moody's/S&P/DBRS/Scope*)	Credit Quality Step	LCR-Level / Haircut	Risk weight	Maturity structure	ESG	ESG type	ECB	EEA	G10
UBS SWITZERLAND AG	CH1230759495	Mortgages	750	AAA / - / - / -	CQS 1	not eligible	20%	Soft	N	n/a	✗	✗	✓
UBS SWITZERLAND AG	CH1331113469	Mortgages	1,000	AAA / - / - / -	CQS 1	not eligible	20%	Soft	N	n/a	✗	✗	✓
UBS SWITZERLAND AG	CH1348614111	Mortgages (UBS)	1,000	AAA / - / - / -	CQS 1	not eligible	20%	Soft	N	n/a	✗	✗	✓
UBS SWITZERLAND AG	CH1377443895	Mortgages (UBS)	1,000	AAA / - / - / -	CQS 1	not eligible	20%	Soft	N	n/a	✗	✗	✓
UK	ISIN	Cover Assets	Amount outstanding (EURm)	Rating (Fitch/Moody's/S&P/DBRS/Scope*)	Credit Quality Step	LCR-Level / Haircut	Risk weight	Maturity structure	ESG	ESG type	ECB	EEA	G10
CLYDESDALE BANK PLC	XS2049803575	Mortgages	600	AAA / Aaa / - / -	CQS 1	Level 2A / 15%	20%	Soft	N	n/a	✓	✗	✓
CLYDESDALE BANK PLC	XS2493830827	Mortgages	500	AAA / Aaa / - / -	CQS 1	Level 2A / 15%	20%	Soft	N	n/a	✓	✗	✓
CLYDESDALE BANK PLC	XS2641928382	Mortgages	500	AAA / Aaa / - / -	CQS 1	Level 2A / 15%	20%	Soft	N	n/a	✓	✗	✓
COVENTRY BLDG SOCIETY	XS2015230365	Mortgages	500	AAA / Aaa / - / -	CQS 1	Level 2A / 15%	20%	Soft	N	n/a	✓	✗	✓
COVENTRY BLDG SOCIETY	XS2360599281	Mortgages	750	AAA / Aaa / - / -	CQS 1	Level 2A / 15%	20%	Soft	N	n/a	✓	✗	✓
COVENTRY BLDG SOCIETY	XS2534984716	Mortgages	500	AAA / Aaa / - / -	CQS 1	Level 2A / 15%	20%	Soft	N	n/a	✓	✗	✓
COVENTRY BLDG SOCIETY	XS2853557374	Mortgages	500	AAA / Aaa / - / -	CQS 1	Level 2A / 15%	20%	Soft	N	n/a	✓	✗	✓
LLOYDS BANK PLC	XS2013525501	Mortgages	1,000	AAA / Aaa / - / -	CQS 1	Level 2A / 15%	20%	Soft	N	n/a	✓	✗	✓
LLOYDS BANK PLC	XS2054600718	Mortgages	750	AAA / Aaa / - / -	CQS 1	Level 2A / 15%	20%	Soft	N	n/a	✓	✗	✓
LLOYDS BANK PLC	XS2582348046	Mortgages	1,000	AAA / Aaa / - / -	CQS 1	Level 2A / 15%	20%	Soft	N	n/a	✓	✗	✓
NATIONWIDE BLDG SOCIETY	XS1081100239	Mortgages	750	AAA / Aaa / AAA / -	CQS 1	Level 2A / 15%	20%	Soft	N	n/a	✓	✗	✓
NATIONWIDE BLDG SOCIETY	XS1207683522	Mortgages	500	AAA / Aaa / AAA / -	CQS 1	Level 2A / 15%	20%	Soft	N	n/a	✓	✗	✓
NATIONWIDE BLDG SOCIETY	XS1638816089	Mortgages	810	AAA / Aaa / AAA / -	CQS 1	Level 2A / 15%	20%	Soft	N	n/a	✓	✗	✓

* The covered bond ratings of the rating agency Scope are not explicitly shown due to technical restrictions. In our opinion, no adjustment of the credit quality steps derived here is inferred from the covered bond programmes rated by Scope.

UK	ISIN	Cover Assets	Amount outstanding (EURm)	Rating (Fitch/Moody's/S&P/DBRS/Scope*)	Credit Quality Step	LCR-Level / Haircut	Risk weight	Maturity structure	ESG	ESG type	ECB	EEA	G10
NATIONWIDE BLDG SOCIETY	XS1829215562	Mortgages	500	AAA / Aaa / AAA / -	CQS 1	Level 2A / 15%	20%	Soft	N	n/a	✓	✗	✓
NATIONWIDE BLDG SOCIETY	XS2338561348	Mortgages	750	AAA / - / AAA / -	CQS 1	Level 2A / 15%	20%	Soft	N	n/a	✓	✗	✓
NATIONWIDE BLDG SOCIETY	XS2480519656	Mortgages	500	AAA / - / AAA / -	CQS 1	Level 2A / 15%	20%	Soft	N	n/a	✓	✗	✓
NATIONWIDE BLDG SOCIETY	XS2597919013	Mortgages	1,000	AAA / - / AAA / -	CQS 1	Level 2A / 15%	20%	Soft	N	n/a	✓	✗	✓
NATIONWIDE BLDG SOCIETY	XS2725234954	Mortgages	1,000	AAA / - / AAA / -	CQS 1	Level 2A / 15%	20%	Soft	N	n/a	✓	✗	✓
NATIONWIDE BLDG SOCIETY	XS2812617111	Mortgages	500	AAA / - / AAA / -	CQS 1	Level 2A / 15%	20%	Soft	N	n/a	✓	✗	✓
SANTANDER UK PLC	XS2102283814	Mortgages	1,250	AAA / Aaa / AAA / -	CQS 1	Level 2A / 15%	20%	Soft	N	n/a	✓	✗	✓
SANTANDER UK PLC	XS2466426215	Mortgages	1,750	AAA / Aaa / AAA / -	CQS 1	Level 2A / 15%	20%	Soft	N	n/a	✓	✗	✓
SANTANDER UK PLC	XS2786381207	Mortgages	1,500	AAA / Aaa / AAA / -	CQS 1	Level 2A / 15%	20%	Soft	N	n/a	✓	✗	✓
SANTANDER UK PLC	XS2823118018	Mortgages	1,000	AAA / Aaa / AAA / -	CQS 1	Level 2A / 15%	20%	Soft	N	n/a	✓	✗	✓
SKIPTON BUILDING SOCIETY	XS2841962017	Mortgages	500	AAA / Aaa / - / -	CQS 1	Level 2A / 15%	20%	Soft	N	n/a	✓	✗	✓
TSB BANK PLC	XS2774411016	Mortgages	500	- / Aaa / - / -	CQS 1	Level 2A / 15%	20%	Soft	N	n/a	✓	✗	✓
YORKSHIRE BUILDING SOC	XS2243314528	Mortgages	500	AAA / Aaa / - / -	CQS 1	Level 2A / 15%	20%	Soft	N	n/a	✓	✗	✓
YORKSHIRE BUILDING SOC	XS2406578059	Mortgages	500	AAA / Aaa / - / -	CQS 1	Level 2A / 15%	20%	Soft	Y	Social	✓	✗	✓
YORKSHIRE BUILDING SOC	XS2802587258	Mortgages	500	AAA / Aaa / - / -	CQS 1	Level 2A / 15%	20%	Soft	N	n/a	✓	✗	✓

* The covered bond ratings of the rating agency Scope are not explicitly shown due to technical restrictions. In our opinion, no adjustment of the credit quality steps derived here is inferred from the covered bond programmes rated by Scope.

Source: Issuers, rating agencies, NORD/LB Floor Research

Appendix

Publication overview

Covered Bonds:

[Issuer Guide – Covered Bonds 2024](#)

[Covered Bond Laws](#)

[Covered Bond Directive: Impact on risk weights and LCR levels](#)

[Risk weights and LCR levels of covered bonds](#) (updated semi-annually)

[Transparency requirements §28 PfandBG Q3/2024](#) (quarterly update)

[Transparency requirements §28 PfandBG Q3/2024 Sparkassen](#) (quarterly update)

SSA/Public Issuers:

[Issuer Guide – German Laender 2024](#)

[Issuer Guide – German Agencies 2024](#)

[Issuer Guide – Canadian Provinces & Territories 2024](#)

[Issuer Guide – European Supranationals 2024](#)

[Issuer Guide – French Agencies 2023](#)

[Issuer Guide – Nordic Agencies 2024](#)

[Issuer Guide – Dutch Agencies 2024](#)

[Issuer Guide – Non-European Supranationals \(MDBs\) 2024](#)

[Beyond Bundeslaender: Belgium](#)

[Beyond Bundeslaender: Greater Paris \(IDF/VDP\)](#)

[Beyond Bundeslaender: Spanish regions](#)

Fixed Income Specials:

[ESG-Update 2024](#)

[Silent night, lower rates: ECB prepares for the new year](#)

Appendix

Contacts at NORD/LB

Floor Research



Dr. Frederik Kunze
Covered Bonds/Banks
+49 172 354 8977
frederik.kunze@nordlb.de



Dr. Norman Rudschuck, CIIA
SSA/Public Issuers
+49 152 090 24094
norman.rudschuck@nordlb.de



Lukas Kühne
Covered Bonds/Banks
+49 176 152 90932
lukas.kuehne@nordlb.de



Lukas-Finn Frese
SSA/Public Issuers
+49 176 152 89759
lukas-finn.frese@nordlb.de



Alexander Grenner
Covered Bonds/Banks
+49 157 851 65070
alexander.grenner@nordlb.de



Tobias Cordes
SSA/Public Issuers
+49 162 760 6673
tobias.cordes@nordlb.de

Sales

Institutional Sales	+49 511 9818-9440
Sales Sparkassen & Regionalbanken	+49 511 9818-9400
Institutional Sales MM/FX	+49 511 9818-9460
Fixed Income Relationship Management Europe	+352 452211-515

Origination & Syndicate

Origination FI	+49 511 9818-6600
Origination Corporates	+49 511 361-2911

Treasury

Liquidity Management/Repos	+49 511 9818-9620 +49 511 9818-9650
----------------------------	--

Trading

Covereds/SSA	+49 511 9818-8040
Financials	+49 511 9818-9490
Governments	+49 511 9818-9660
Länder/Regionen	+49 511 9818-9660
Frequent Issuers	+49 511 9818-9640

Sales Wholesale Customers

Firmenkunden	+49 511 361-4003
Asset Finance	+49 511 361-8150

Relationship Management

Institutionelle Kunden	rm-vs@nordlb.de
Öffentliche Kunden	rm-oek@nordlb.de

Disclaimer

The present report (hereinafter referred to as “information”) was drawn up by **NORDDEUTSCHE LANDESBANK GIROZENTRALE (NORD/LB)**. The supervisory authorities responsible for NORD/LB are the European Central Bank (ECB), Sonnemannstraße 20, D-60314 Frankfurt am Main, and the Federal Financial Supervisory Authority in Germany (Bundesanstalt für Finanzdienstleistungsaufsicht; BaFin), Graurheindorfer Str. 108, D-53117 Bonn and Marie-Curie-Str. 24-28, D-60439 Frankfurt am Main. The present report and the products and services described herein have not been reviewed or approved by the relevant supervisory authority.

The present information is addressed exclusively to Recipients in Austria, Belgium, Canada, Cyprus, the Czech Republic, Denmark, Estonia, Finland, France, Germany, Greece, Indonesia, Ireland, Italy, Japan, Korea, Luxembourg, the Netherlands, New Zealand, Poland, Portugal, Singapore, Portugal, Spain, Sweden, Switzerland, the Republic of China (Taiwan), Thailand, the United Kingdom and Vietnam (hereinafter referred to as “Relevant Persons” or “Recipients”). The contents of the information are disclosed to the Recipients on a strictly confidential basis and, by accepting such information, the Recipients shall agree that they will not forward it to third parties, copy and/or reproduce this information without the prior written consent of NORD/LB. The present information is addressed solely to the Relevant Persons and any parties other than the Relevant Persons shall not rely on the information contained herein. In particular, neither this information nor any copy thereof shall be forwarded or transmitted to the United States of America or its territories or possessions, or distributed to any employees or affiliates of Recipients resident in these jurisdictions.

The present information does not constitute financial analysis within the meaning of Art. 36 (1) of the Delegate Regulation (EU) 2017/565, but rather represents a marketing communication for your general information within the meaning of Art. 36 (2) of this Regulation. Against this background, NORD/LB expressly points out that this information has not been prepared in accordance with legal provisions promoting the independence of investment research and is not subject to any prohibition of trading following the dissemination of investment research. Likewise, this information does not constitute an investment recommendation or investment strategy recommendation within the meaning of the Market Abuse Regulation (EU) No. 596/2014.

This report and the information contained herein have been compiled and are provided exclusively for information purposes. The present information is not intended as an investment incentive. It is provided for the Recipient’s personal information, subject to the express understanding, which shall be acknowledged by the Recipient, that it does not constitute any direct or indirect offer, recommendation, solicitation to purchase, hold or sell or to subscribe for or acquire any securities or other financial instruments nor any measure by which financial instruments might be offered or sold.

All actual details, information and statements contained herein were derived from sources considered reliable by NORD/LB. For the preparation of this information, NORD/LB uses issuer-specific financial data providers, own estimates, company information and public media. However, since these sources are not verified independently, NORD/LB cannot give any assurance as to or assume responsibility for the accuracy and completeness of the information contained herein. The opinions and prognoses given herein on the basis of these sources constitute a non-binding evaluation of the employees of the Floor Research division of NORD/LB. Any changes in the underlying premises may have a material impact on the developments described herein. Neither NORD/LB nor its governing bodies or employees can give any assurances as to or assume any responsibility or liability for the accuracy, appropriateness and completeness of this information or for any loss of return, any indirect, consequential or other damage which may be suffered by persons relying on the information or any statements or opinions set forth in the present Report (irrespective of whether such losses are incurred due to any negligence on the part of these persons or otherwise).

Past performance is not a reliable indicator of future performance. Exchange rates, price fluctuations of the financial instruments and similar factors may have a negative impact on the value and price of and return on the financial instruments referred to herein or any instruments linked thereto. Fees and commissions apply in relation to securities (purchase, sell, custody), which reduce the return on investment. An evaluation made on the basis of the historical performance of any security does not necessarily provide an indication of its future performance.

The present information neither constitutes any investment, legal, accounting or tax advice nor any assurance that an investment or strategy is suitable or appropriate in the light of the Recipient’s individual circumstances, and nothing in this information constitutes a personal recommendation to the Recipient thereof. The securities or other financial instruments referred to herein may not be suitable for the Recipient’s personal investment strategies and objectives, financial situation or individual needs.

Moreover, the present report in whole or in part is not a sales or other prospectus. Accordingly, the information contained herein merely constitutes an overview and does not form the basis for any potential decision to buy or sell on the part of an investor. A full description of the details relating to the financial instruments or transactions which may relate to the subject matter of this report is given in the relevant (financing) documentation. To the extent that the financial instruments described herein are NORD/LB’s own issues and subject to the requirement to publish a prospectus, the conditions of issue applicable to any individual financial instrument and the relevant prospectus published with respect thereto as well NORD/LB’s relevant registration form, all of which are available for download at www.nordlb.de and may be obtained free of charge from NORD/LB, Georgsplatz 1, 30159 Hanover, shall be solely binding. Furthermore, any potential investment decision should be made exclusively on the basis of such (financing) documentation. The present information cannot replace personal advice. Before making an investment decision, each Recipient should consult an independent investment adviser for individual investment advice with respect to the appropriateness of an investment in financial instruments or investment strategies subject to this information as well as for other and more recent information on certain investment opportunities.

Each of the financial instruments referred to herein may involve substantial risks, including capital, interest, index, currency and credit risks in addition to political, fair value, commodity and market risks. The financial instruments could experience a sudden and substantial deterioration in value, including a total loss of the capital invested. Each transaction should only be entered into on the basis of the relevant investor’s assessment of his or her individual financial situation as well as of the suitability and risks of the investment.

NORD/LB and its affiliated companies may participate in transactions involving the financial instruments described in the present information or their underlying basis values for their own account or for the account of third parties, may issue other financial instruments with the same or similar features as those of the financial instruments presented in this information and may conduct hedging transactions to hedge positions. These measures may affect the price of the financial instruments described in the present information.

If the financial instruments presented in this information are derivatives, they may, depending on their structure, have an initial negative market value from the customer's perspective at the time the transaction is concluded. NORD/LB further reserves the right to transfer its economic risk from a derivative concluded with it to a third party on the market by means of a mirror-image counter transaction.

More detailed information on any commission payments which may be included in the selling price can be found in the "Customer Information on Securities Business" brochure, which is available to download at www.nordlb.de.

The information contained in the present report replaces all previous versions of corresponding information and refers exclusively to the time of preparation of the information. Future versions of this information will replace this version. NORD/LB is under no obligation to update and/or regularly review the data contained in such information. No guarantee can therefore be given that the information is up-to-date and continues to be correct. By making use of this information, the Recipient shall accept the terms and conditions outlined above.

NORD/LB is a member of the protection scheme of Deutsche Sparkassen-Finanzgruppe. Further information for the Recipient is indicated in clause 28 of the General Terms and Conditions of NORD/LB or at www.dsgv.de/sicherungssystem.

Additional information for Recipients in Australia:

NORD/LB IS NOT A BANK OR DEPOSIT TAKING INSTITUTION AUTHORISED UNDER THE 1959 BANKING ACT OF AUSTRALIA. IT IS NOT SUPERVISED BY THE AUSTRALIAN PRUDENTIAL REGULATION AUTHORITY. NORD/LB does not provide personal advice with this information and does not take into account the objectives, financial situation or needs of the Recipient (other than for the purpose of combating money laundering).

Additional information for Recipients in Austria:

None of the information contained herein constitutes a solicitation or offer by NORD/LB or its affiliates to buy or sell any securities, futures, options or other financial instruments or to participate in any other strategy. Only the published prospectus pursuant to the Austrian Capital Market Act should be the basis for any investment decision of the Recipient. For regulatory reasons, products mentioned herein may not be on offer in Austria and therefore not available to investors in Austria. Therefore, NORD/LB may not be able to sell or issue these products, nor shall it accept any request to sell or issue these products to investors located in Austria or to intermediaries acting on behalf of any such investors.

Additional information for Recipients in Belgium:

Evaluations of individual financial instruments on the basis of past performance are not necessarily indicative of future results. It should be noted that the reported figures relate to past years.

Additional information for Recipients in Canada:

This report has been prepared solely for information purposes in connection with the products it describes and should not, under any circumstances, be construed as a public offer or any other offer (direct or indirect) to buy or sell securities in any province or territory of Canada. No financial market authority or similar regulatory body in Canada has made any assessment of these securities or reviewed this information and any statement to the contrary constitutes an offence. Potential selling restrictions may be included in the prospectus or other documentation relating to the relevant product.

Additional information for Recipients in Cyprus:

This information constitutes an analysis within the meaning of the section on definitions of the Cyprus Directive D1444-2007-01 (No. 426/07). Furthermore, this information is provided for information and promotional purposes only and does not constitute an individual invitation or offer to sell, buy or subscribe to any investment product.

Additional information for Recipients in the Czech Republic:

There is no guarantee that the invested amount will be recouped. Past returns are no guarantee of future results. The value of the investments may rise or fall. The information contained herein is provided on a non-binding basis only and the author does not guarantee the accuracy of the content.

Additional information for Recipients in Denmark:

This Information does not constitute a prospectus under Danish securities law and consequently is not required to be, nor has been filed with or approved by the Danish Financial Supervisory Authority, as this Information either (i) has not been prepared in the context of a public offering of securities in Denmark or the admission of securities to trading on a regulated market within the meaning of the Danish Securities Trading Act or any executive orders issued pursuant thereto, or (ii) has been prepared in the context of a public offering of securities in Denmark or the admission of securities to trading on a regulated market in reliance on one or more of the exemptions from the requirement to prepare and publish a prospectus in the Danish Securities Trading Act or any executive orders issued pursuant thereto.

Additional information for Recipients in Estonia:

It is advisable to closely examine all the terms and conditions of the services provided by NORD/LB. If necessary, Recipients of this information should consult an expert.

Additional information for Recipients in Finland:

The financial products described herein may not be offered or sold, directly or indirectly, to any resident of the Republic of Finland or in the Republic of Finland, except pursuant to applicable Finnish laws and regulations. Specifically, in the case of shares, such shares may not be offered or sold, directly or indirectly, to the public in the Republic of Finland as defined in the Finnish Securities Market Act (746/2012, as amended). The value of investments may go up or down. There is no guarantee of recouping the amount invested. Past performance is no guarantee of future results.

Additional information for Recipients in France:

NORD/LB is partially regulated by the “Autorité des Marchés Financiers” for the conduct of French business. Details concerning the extent of our regulation by the respective authorities are available from us on request. The present information does not constitute an analysis within the meaning of Article 24 (1) Directive 2006/73/EC, Article L.544-1 and R.621-30-1 of the French Monetary and Financial Code, but does represent a marketing communication and does qualify as a recommendation pursuant to Directive 2003/6/EC and Directive 2003/125/EC.

Additional information for Recipients in Greece:

The information contained herein gives the view of the author at the time of publication and may not be used by its Recipient without first having confirmed that it remains accurate and up to date at the time of its use. Past performance, simulations or forecasts are therefore not a reliable indicator of future results. Investment funds have no guaranteed performance and past returns do not guarantee future performance.

Additional information for Recipients in Indonesia:

This report contains generic information and has not been tailored to the circumstances of any individual or specific Recipient. This information is part of NORD/LB's marketing material.

Additional information for Recipients in the Republic of Ireland:

This information has not been prepared in accordance with Directive (EU) 2017/1129 (as amended) on prospectuses (the “Prospectus Directive”) or any measures made under the Prospectus Directive or the laws of any Member State or EEA treaty adherent state that implement the Prospectus Directive or such measures and therefore may not contain all the information required for a document prepared in accordance with the Prospectus Directive or the laws.

Additional information for Recipients in Japan:

This information is provided to you for information purposes only and does not constitute an offer or solicitation of an offer to enter into securities transactions or commodity futures transactions. Although the actual data and information contained herein has been obtained from sources which we believe to be reliable and trustworthy, we are unable to vouch for the accuracy and completeness of this actual data and information.

Additional information for Recipients in South Korea:

This information has been provided to you free of charge for information purposes only. The information contained herein is factual and does not reflect any opinion or judgement of NORD/LB. The information contained herein should not be construed as an offer, marketing, solicitation to submit an offer or investment advice with respect to the financial investment products described herein.

Additional information for Recipients in Luxembourg:

Under no circumstances shall the present information constitute an offer to purchase or issue or the solicitation to submit an offer to buy or subscribe for financial instruments and financial services in Luxembourg.

Additional information for Recipients in New Zealand:

NORD/LB is not a bank registered in New Zealand. This information is for general information only. It does not take into account the Recipient's financial situation or objectives and is not a personalised financial advisory service under the 2008 Financial Advisers Act.

Additional information for Recipients in the Netherlands:

The value of your investment may fluctuate. Past performance is no guarantee for the future.

Additional information for Recipients in Poland:

This information does not constitute a recommendation within the meaning of the Regulation of the Polish Minister of Finance Regarding Information Constituting Recommendations Concerning Financial Instruments or Issuers thereof dated 19 October 2005.

Additional information for Recipients in Portugal:

This information is intended only for institutional clients and may not be (i) used by, (ii) copied by any means or (iii) distributed to any other kind of investor, in particular not to retail clients. The present information does not constitute or form part of an offer to buy or sell any of the securities covered by the report, nor should it be understood as a request to buy or sell securities where that practice may be deemed unlawful. The information contained herein is based on information obtained from sources which we believe to be reliable, but is not guaranteed as to accuracy or completeness. Unless otherwise stated, all views contained herein relate solely to our research and analysis and are subject to change without notice.

Additional information for Recipients in Sweden:

This information does not constitute (or form part of) a prospectus, offering memorandum, any other offer or solicitation to acquire, sell, subscribe for or otherwise trade in shares, subscription rights or other securities, nor shall it or any part of it form the basis of or be relied on in connection with any contract or commitment whatsoever. The present information has not been approved by any regulatory authority. Any offer of securities will only be made pursuant to an applicable prospectus exemption under the EC Prospectus Directive (Directive (EU) 2017/1129), and no offer of securities is being directed to any person or investor in any jurisdiction where such action is wholly or partially subject to legal restrictions or where such action would require additional prospectuses, other offer documentation, registrations or other actions.

Additional information for Recipients in Switzerland:

This information has not been approved by the Federal Banking Commission (merged into the Swiss Financial Market Supervisory Authority (FINMA) on 1 January 2009). NORD/LB will comply with the Directives of the Swiss Bankers Association on the Independence of Financial Research (as amended). The present information does not constitute an issuing prospectus pursuant to article 652a or article 1156 of the Swiss Code of Obligations. The information is published solely for the purpose of information on the products mentioned herein. The products do not qualify as units of a collective investment scheme pursuant to the Federal Act on Collective Investment Schemes (CISA) and are therefore not subject to supervision by FINMA.

Additional information for Recipients in the Republic of China (Taiwan):

This information is provided for general information only and does not take into account the individual interests or requirements, financial status and investment objectives of any specific investor. Nothing herein should be construed as a recommendation or advice for you to subscribe to a particular investment product. You should not rely solely on the information provided herein when making your investment decisions. When considering any investment, you should endeavour to make your own independent assessment and determination on whether the investment is suitable for your needs and seek your own professional financial and legal advice. NORD/LB has taken all reasonable care in producing this report and trusts that the information is reliable and suitable for your situation at the date of publication or delivery. However, no guarantee of accuracy or completeness is given. To the extent that NORD/LB has exercised the due care of a good administrator, we accept no responsibility for any errors, omissions, or misstatements in the information given. NORD/LB does not guarantee any investment results and does not guarantee that the strategies employed will improve investment performance or achieve your investment objectives.

Information for Recipients in the United Kingdom:

NORD/LB is subject to partial regulation by the Financial Conduct Authority (FCA) and the Prudential Regulation Authority (PRA). Details of the scope of regulation by the FCA and the PRA are available from NORD/LB on request. The present information is "financial promotion". Recipients in the United Kingdom should contact the London office of NORD/LB, Investment Banking Department, telephone: 0044 / 2079725400, in the event of any queries. An investment in financial instruments referred to herein may expose the investor to a significant risk of losing all the capital invested.

Time of going to press: 17 December 2024 (16:15)